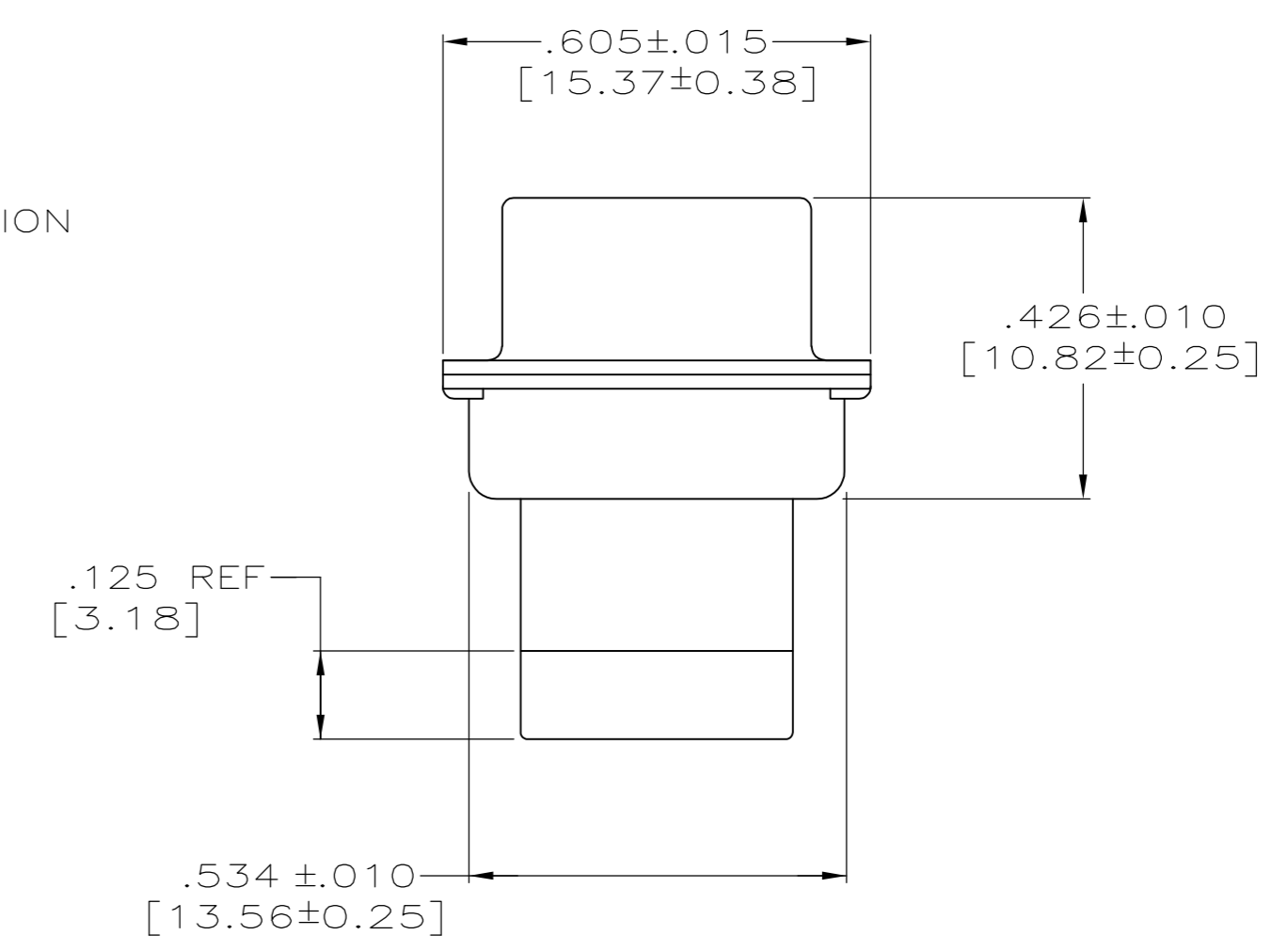
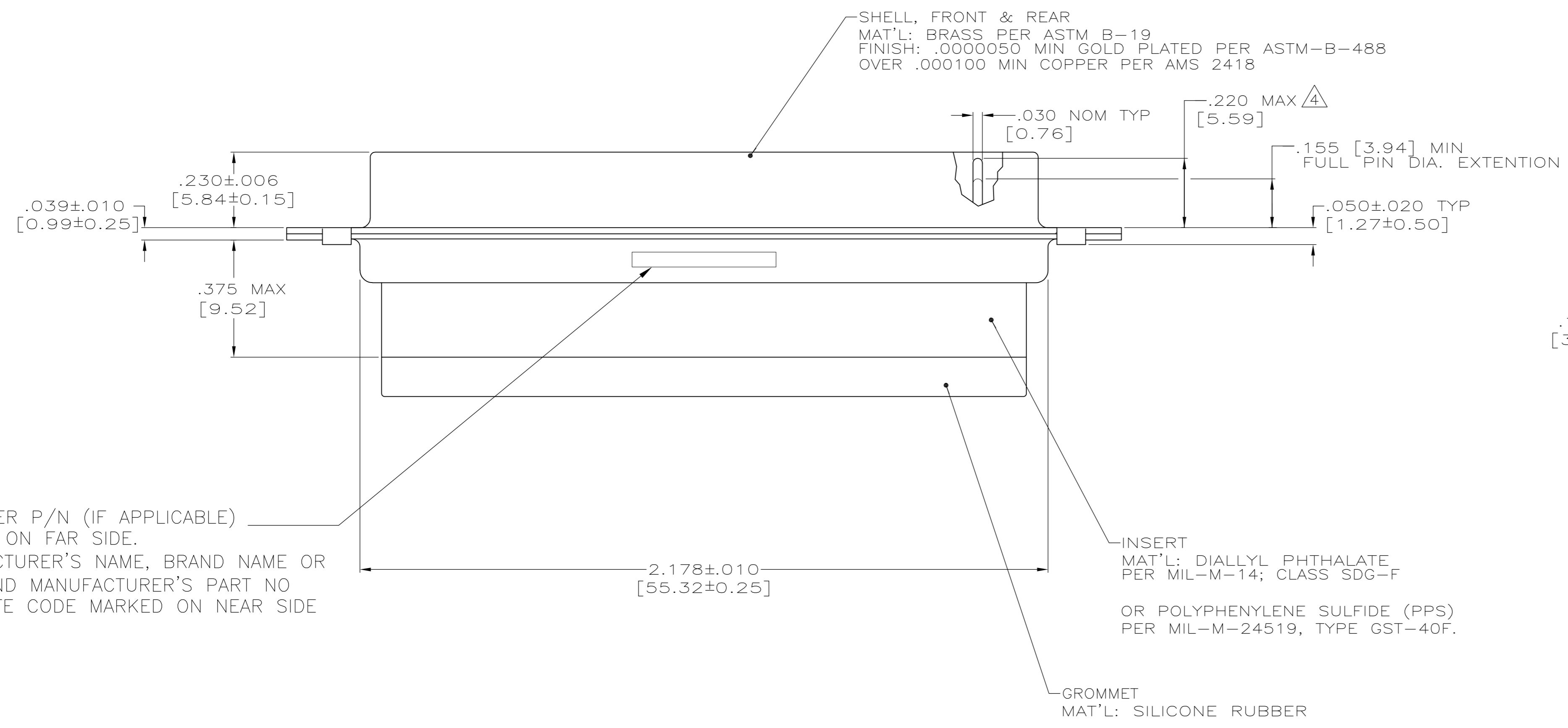
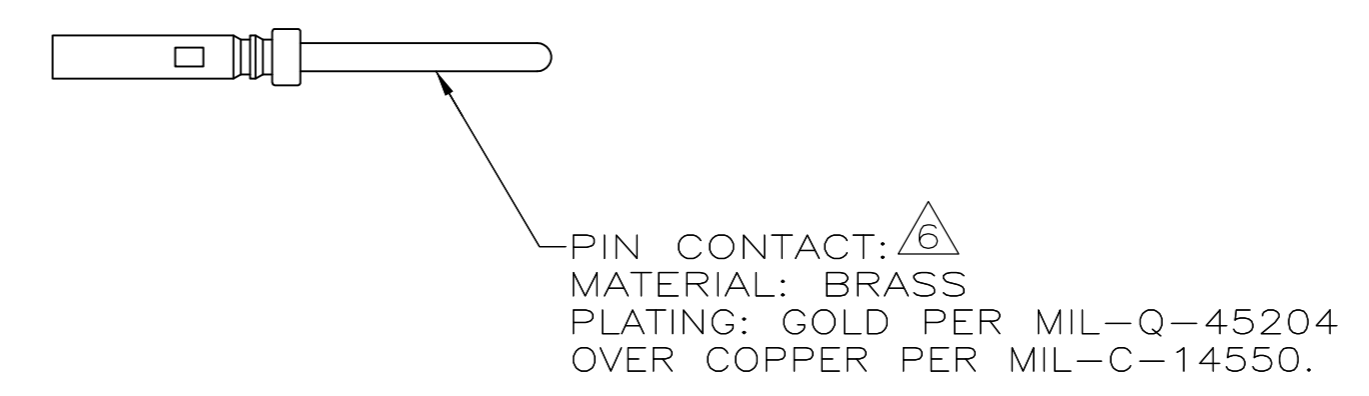
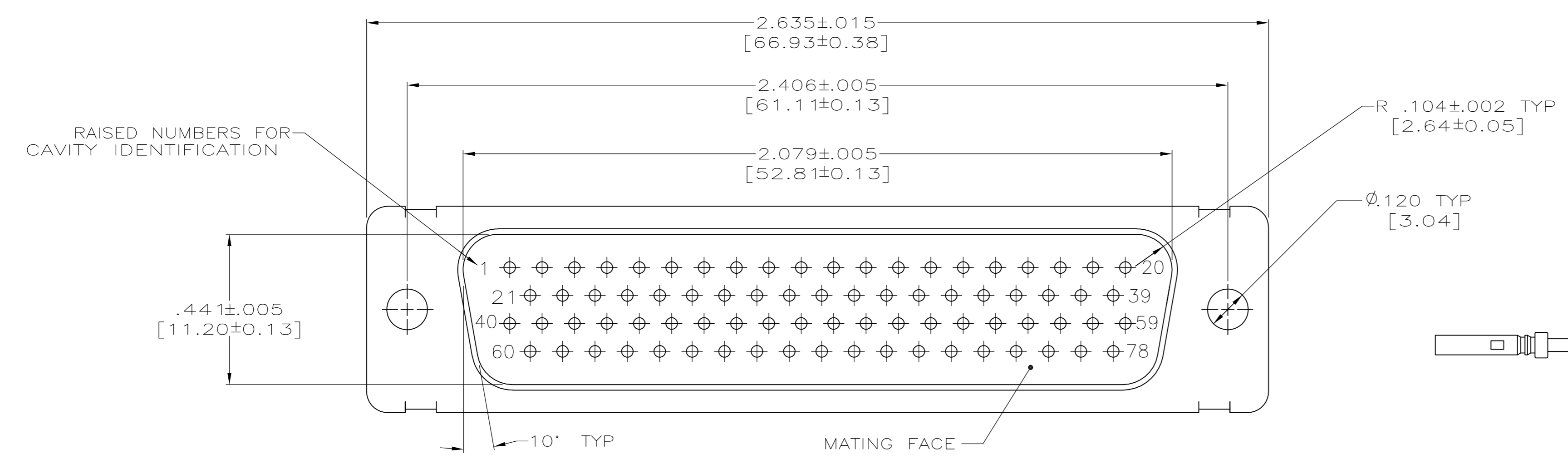


LOC		DIST		REVISIONS			
DF	DO	REV	DESCRIPTION	DATE	DWN	APVD	
		L	REVISED PER ECO-13-011791	22AUG13	MGM	CT	

- THIS PLUG WILL MATE WITH ANY SIZE 5, 78 POSN. RECEPTACLE IN AMPLIMITE SERIES.
- OVERALL DIMENSIONS DO NOT INCLUDE RAISED CAVITY IDENTIFICATION.
- BE-CU RETENTION CLIPS ARE INCLUDED IN INSERT AND INSTALLED WITH TINES POINTING TOWARDS MATING FACE.
- CONNECTOR SUPPLIED WITHOUT CONTACTS. SHOWN FOR ILLUSTRATION ONLY.
- MARKING ON FAR SIDE REFERS TO WIDE SIDE OF KEYSTONE. NEAR SIDE REFERS TO NARROW SIDE OF KEYSTONE.
- PIN CONTACTS INCLUDED IN KIT 211677-7.
- 100% INSPECTION REQUIRED PER BOEING 1B01:
 - VISUAL
 - DWV
 - IR
- CUSTOMER REQUIRES SINGLE LOT DATE CODE.
- SPECIAL REQUIREMENTS:
 - TEST TWO CONNECTORS PER LOT FOR COMPLIANCE TO GROMMET PEEL STRENGTH REQUIREMENTS.
 - TEST ALL CIRCUIT CAVITIES FOR MISALIGNMENT OR EXCESSIVE ADHESIVE.



CUSTOMER P/N (IF APPLICABLE) MARKED ON FAR SIDE. MANUFACTURER'S NAME, BRAND NAME OR LOGO AND MANUFACTURER'S PART NO AND DATE CODE MARKED ON NEAR SIDE

REMARKS	CUSTOMER PART NO.	PART NO.
⚠	1B01-035PHW	1-211677-1
⚠	B010648-0009	211677-7
⚠	-	211677-4
⚠	2A065-017V-001	211677-2
⚠	1B01-035	211677-1

THIS DRAWING IS A CONTROLLED DOCUMENT.

DIMENSIONS: INCHES	TOLERANCES UNLESS OTHERWISE SPECIFIED:	DWN: A.J. GRAFF 2/23/93	CHK: D.B. MUMMEY 2/24/93	APVD: D.B. MUMMEY 2/24/93	NAME: D.B. MUMMEY
0 PLC ± -	1 PLC ± -	2 PLC ± -	3 PLC ± .005 [0.13]	4 PLC ± -	ANGLES ± 0°30'
MATERIAL: SEE CALLOUTS	FINISH: SEE CALLOUTS	SIZE: A1	DWG CODE: 00779	DRAWING NO: 211677	RESTRICTED TO: -
CUSTOMER DRAWING		SCALE: 4:1	SHEET: 1 of 1	REV: L	

STE TE Connectivity

PLUG ASS'Y, AMPLIMITE, 78 POSN., SIZE 5, SERIES 90, NON-MAGNETIC WITH GROMMET

X-ON Electronics

Largest Supplier of Electrical and Electronic Components

Click to view similar products for [D-Sub High Density Connectors](#) category:

Click to view products by [TE Connectivity](#) manufacturer:

Other Similar products are found below :

[1484349-1](#) [163A16769X](#) [163A16809X](#) [163A17089X](#) [164A17199X](#) [164A17209X](#) [164A17479X](#) [164A18209X](#) [17BH-044S-AA110](#) [K86X-AD-26S](#) [KF66X-E15P-N](#) [241A17320X](#) [242A25680X](#) [242A25740X](#) [L717HDB44POL2R210](#) [L717HDCH62POL2RM5](#) [L717HDEH15POL2L777HDE15P](#) [L77HDC62S](#) [163A16599X](#) [163A16779X](#) [163A16839X](#) [163A17079X](#) [164A17309X](#) [164A17329X](#) [164A18219X](#) [241A16440X](#) [241A16550X](#) [241A16680X](#) [241A17390X](#) [241A20810X](#) [241A25740X](#) [CT25-44P](#) [K66X-E15S-N30](#) [K86X-BA-44S](#) [K86X-ED-15S-BR15](#) [K86X-ED-15SK](#) [L177HDE15SOL2RM23](#) [L177HRC62S](#) [L177HRC62SVFM](#) [L177HRCG62S](#) [L717HDBH44POL2RM5](#) [L717HDEG15POL2RM5](#) [L77HDA26SVF](#) [L77HDE15SD1CO](#) [L77HDEH15SOL2RM832](#) [443895-3](#) [106698-1](#) [5529599](#) [280-012K2C](#)