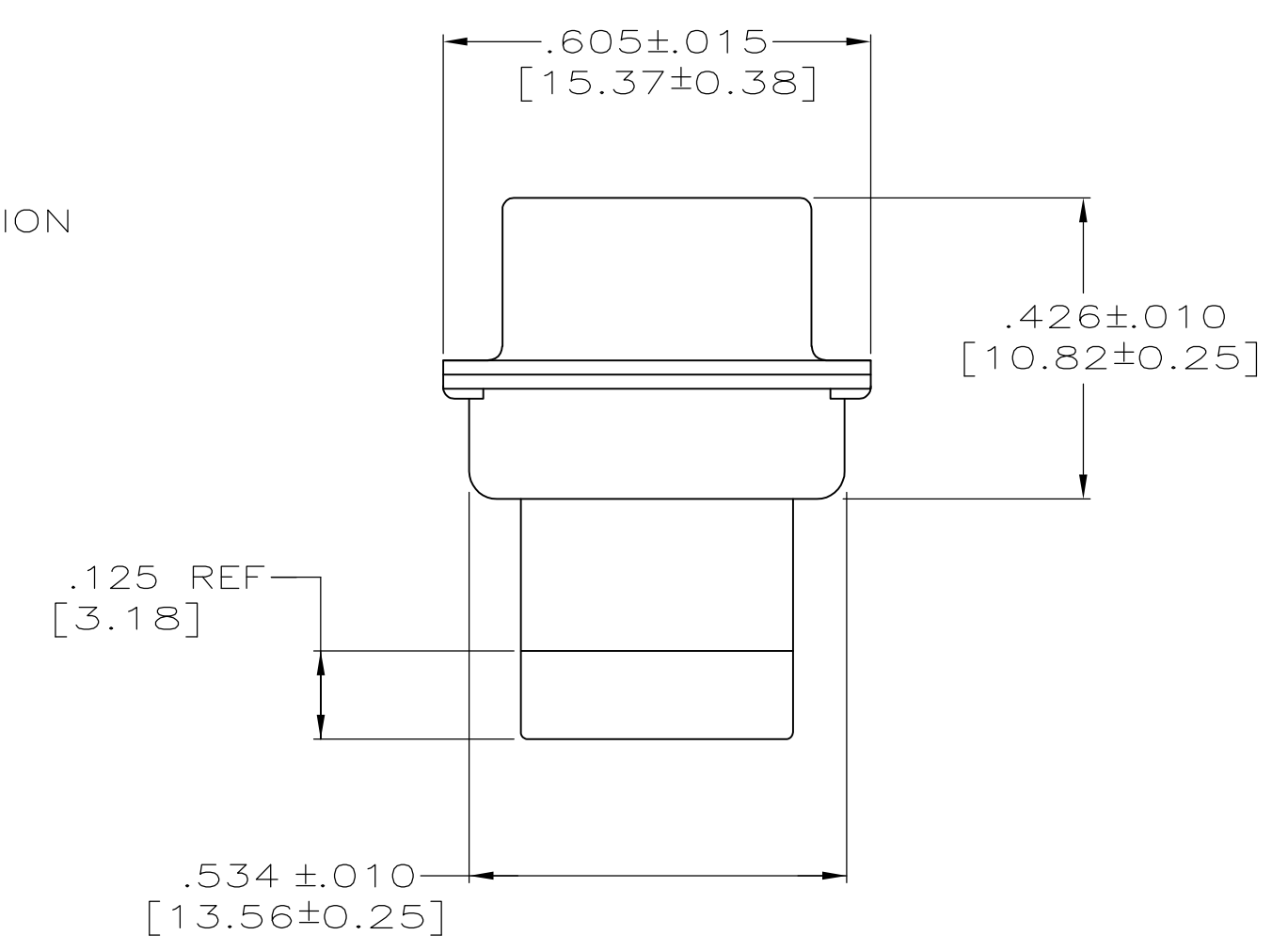
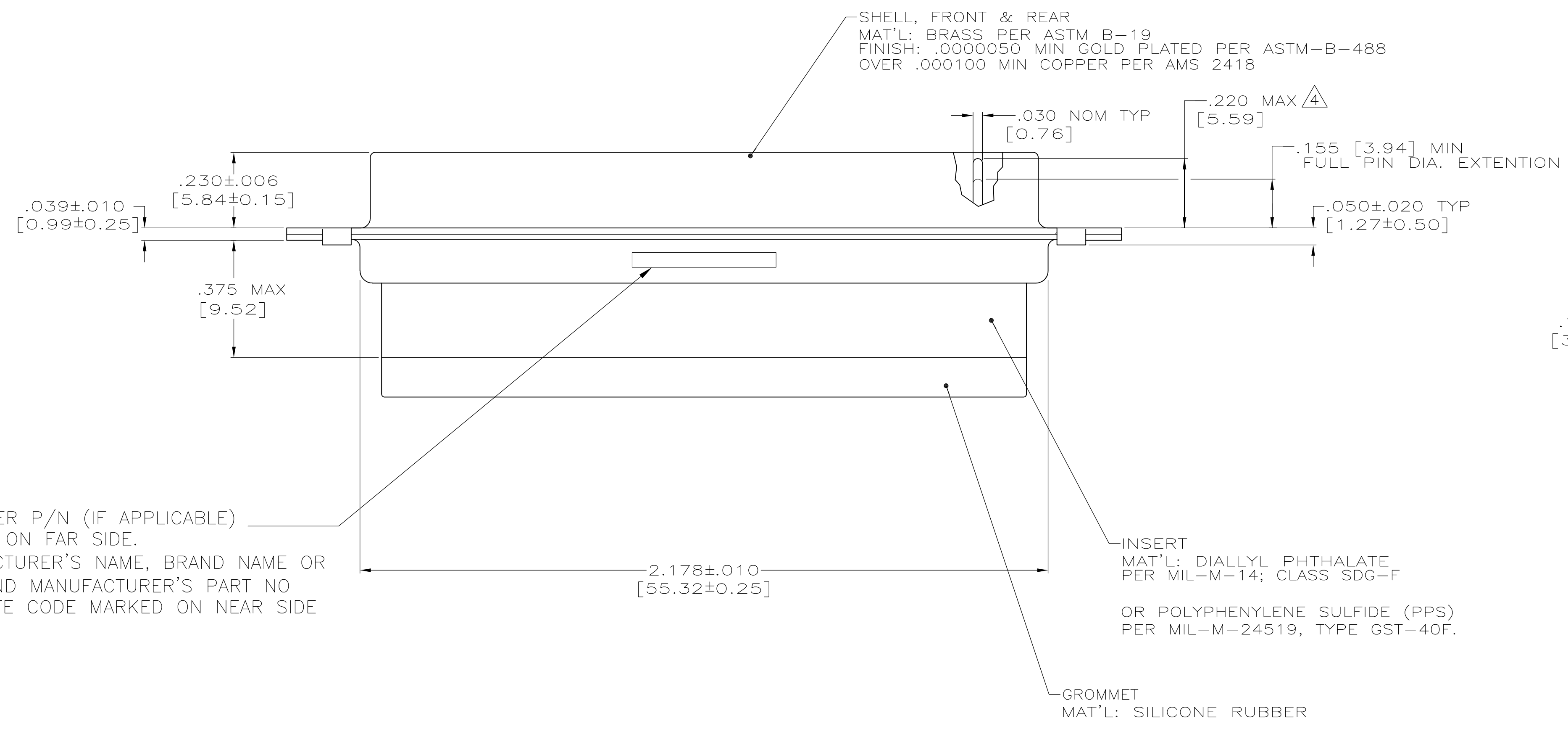
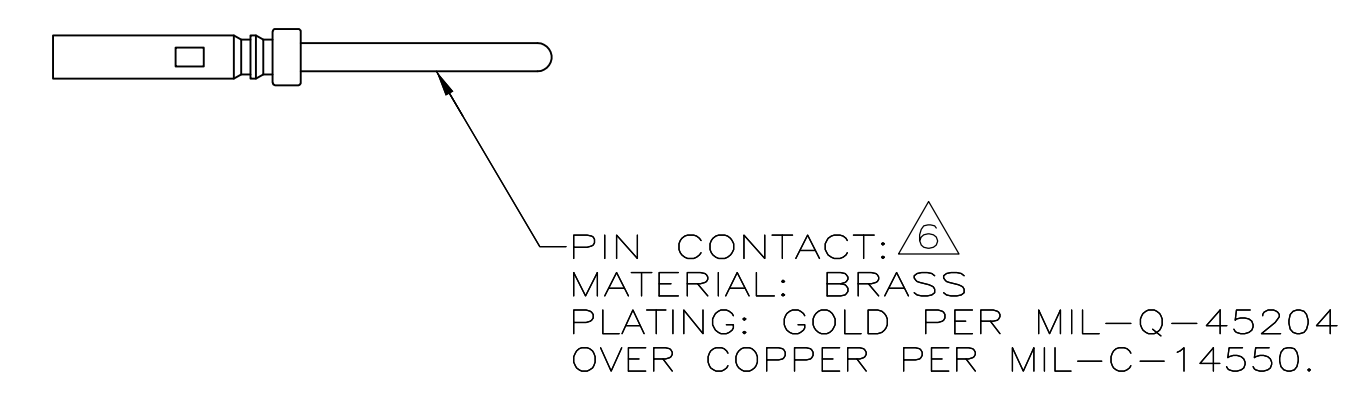
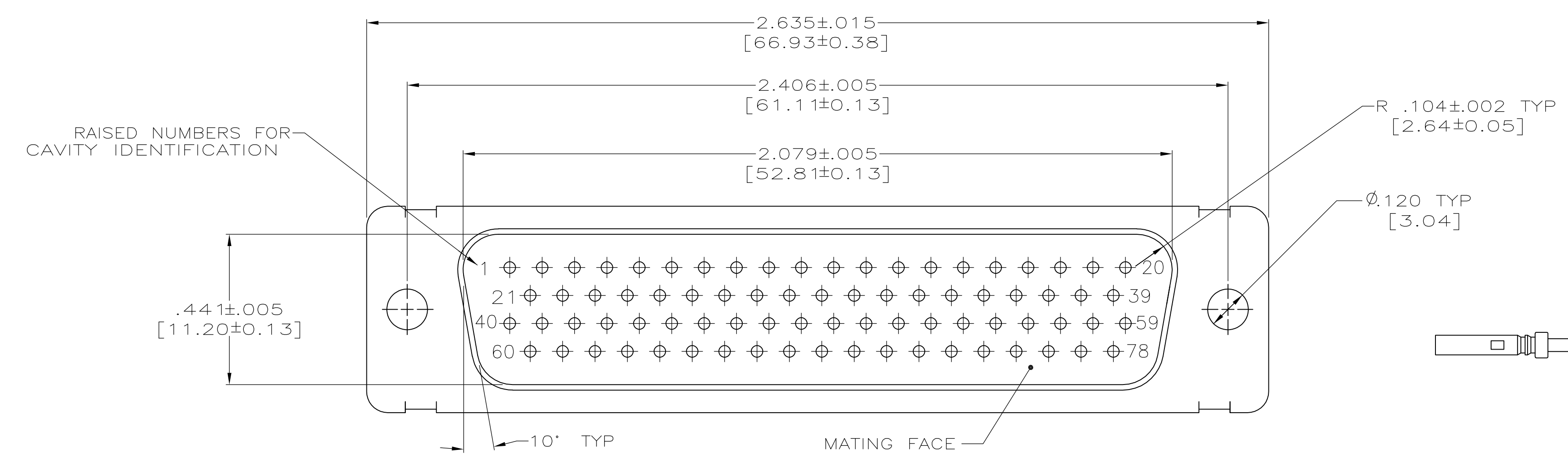


| LOC | | DIST | | REVISIONS | | | |
|-----|----|------|---------------------------|-----------|-----|------|--|
| DF | DO | REV | DESCRIPTION | DATE | DWN | APVD | |
| L | | 1 | REVISED PER ECO-13-011791 | 22AUG13 | MGM | CT | |

- THIS PLUG WILL MATE WITH ANY SIZE 5, 78 POSN. RECEPTACLE IN AMPLIMITE SERIES.
- OVERALL DIMENSIONS DO NOT INCLUDE RAISED CAVITY IDENTIFICATION.
- BE-CU RETENTION CLIPS ARE INCLUDED IN INSERT AND INSTALLED WITH TINES POINTING TOWARDS MATING FACE.
- CONNECTOR SUPPLIED WITHOUT CONTACTS. SHOWN FOR ILLUSTRATION ONLY.
- MARKING ON FAR SIDE REFERS TO WIDE SIDE OF KEYSTONE. NEAR SIDE REFERS TO NARROW SIDE OF KEYSTONE.
- PIN CONTACTS INCLUDED IN KIT 211677-7.
- 100% INSPECTION REQUIRED PER BOEING 1B01:
 - VISUAL
 - DWV
 - IR
- CUSTOMER REQUIRES SINGLE LOT DATE CODE.
- SPECIAL REQUIREMENTS:
 - TEST TWO CONNECTORS PER LOT FOR COMPLIANCE TO GROMMET PEEL STRENGTH REQUIREMENTS.
 - TEST ALL CIRCUIT CAVITIES FOR MISALIGNMENT OR EXCESSIVE ADHESIVE.



CUSTOMER P/N (IF APPLICABLE) MARKED ON FAR SIDE. MANUFACTURER'S NAME, BRAND NAME OR LOGO AND MANUFACTURER'S PART NO AND DATE CODE MARKED ON NEAR SIDE

| REMARKS | CUSTOMER PART NO. | PART NO. |
|---------|-------------------|------------|
| ⚠ | 1B01-035PHW | 1-211677-1 |
| ⚠ | B010648-0009 | 211677-7 |
| ⚠ | - | 211677-4 |
| ⚠ | 2A065-017V-001 | 211677-2 |
| ⚠ | 1B01-035 | 211677-1 |

THIS DRAWING IS A CONTROLLED DOCUMENT.

| | | | | | |
|------------------------|--|-------------------------|--------------------------|---------------------------|-------------------|
| DIMENSIONS: INCHES | TOLERANCES UNLESS OTHERWISE SPECIFIED: | DWN: A.J. GRAFF 2/23/93 | CHK: D.B. MUMMEY 2/24/93 | APVD: D.B. MUMMEY 2/24/93 | NAME: D.B. MUMMEY |
| 0 PLC ± - | 1 PLC ± - | 2 PLC ± - | 3 PLC ± .005 [0.13] | 4 PLC ± - | ANGLES ± 0°30' |
| MATERIAL: SEE CALLOUTS | FINISH: SEE CALLOUTS | SIZE: A1 | DWG CODE: 00779 | DRAWING NO: 211677 | RESTRICTED TO: - |
| CUSTOMER DRAWING | | SCALE: 4:1 | SHEET: 1 of 1 | REV: L | |

STE TE Connectivity

PLUG ASS'Y, AMPLIMITE, 78 POSN., SIZE 5, SERIES 90, NON-MAGNETIC WITH GROMMET

X-ON Electronics

Largest Supplier of Electrical and Electronic Components

Click to view similar products for [D-Sub MIL Spec Connectors](#) category:

Click to view products by [TE Connectivity](#) manufacturer:

Other Similar products are found below :

[M85049/50-5F](#) [D38999/24WG11PB-LC](#) [MDM-9SH006A](#) [1218697-4](#) [D38999/26WJ61PC L/C](#) [1484349-1](#) [17D25HV](#) [1996840-1](#) [243082-15](#)
[1757682-1](#) [17D-E51218-1](#) [17SDA15S](#) [1883533-1](#) [1883886-1](#) [1883889-1](#) [192900-0377](#) [M24308/8-347](#) [M83513/03-E09C](#) [443961-3](#) [5-](#)
[1218949-1](#) [550-031NF1R6K](#) [3-1236089-2](#) [550E001NF1R3J0L](#) [550T001NF1R6K0L](#) [557T283NF5B08](#) [DB121073-56](#) [DC121073157](#)
[443869-3](#) [443869-4](#) [443869-5](#) [550S004NF1R1B0F03](#) [557E283NF1A06](#) [527-019NF0303R2K1F](#) [5-446405-1](#) [550-031NF1R2E](#)
[550E003M2R9J0F04](#) [550E003M3R9J0F05](#) [550E024M104R9J0](#) [550E024NF102R3J0B](#) [550E039NF1R3J1-02](#) [550S003M3R9B0F05](#)
[550S004M4R7M0F04](#) [550S004NF1R1B1F02](#) [550S008M3F0K0F04](#) [550S086M5R3J0L](#) [550S100NF3F0E](#) [550T001M2R7E0L](#)
[550T001NF1F0B1L](#) [550T001NF1R1K0G](#) [550T001NF1R3K0G](#)