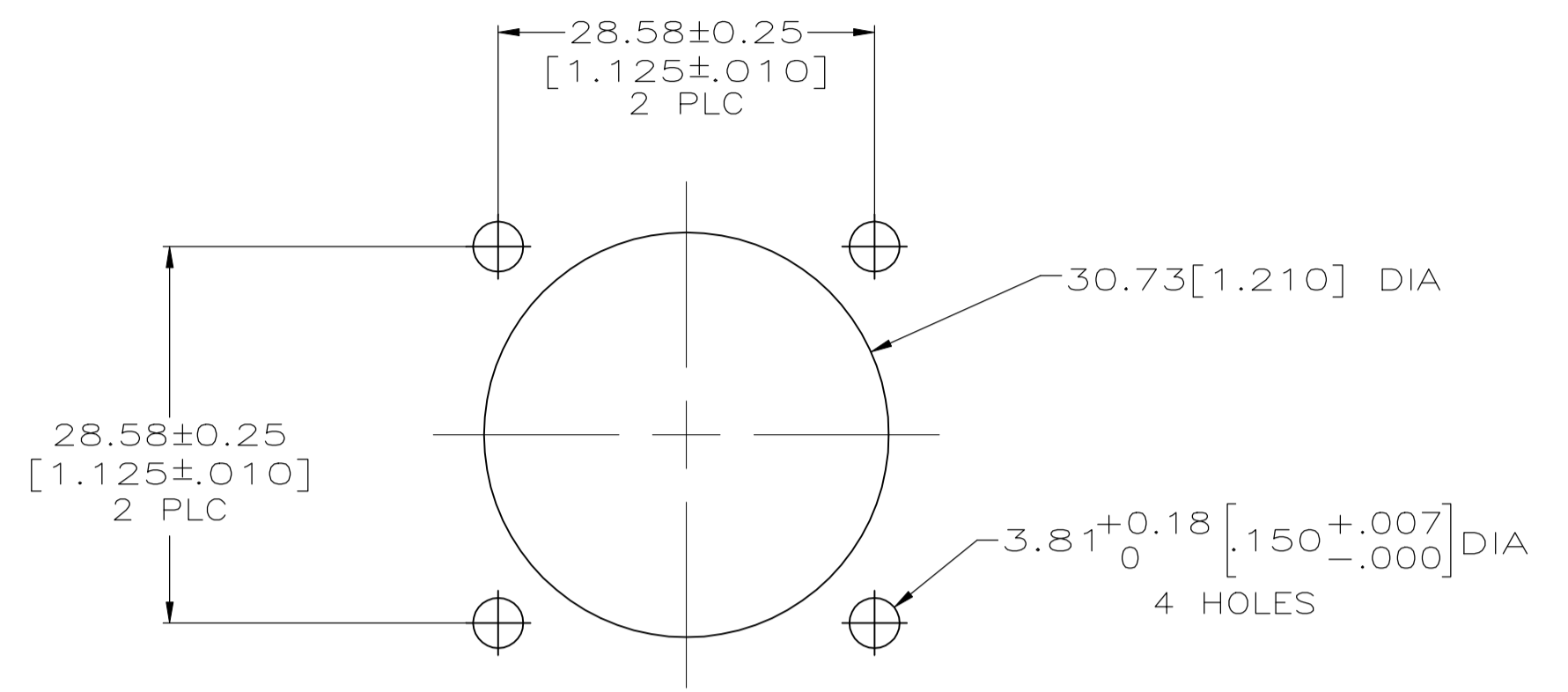
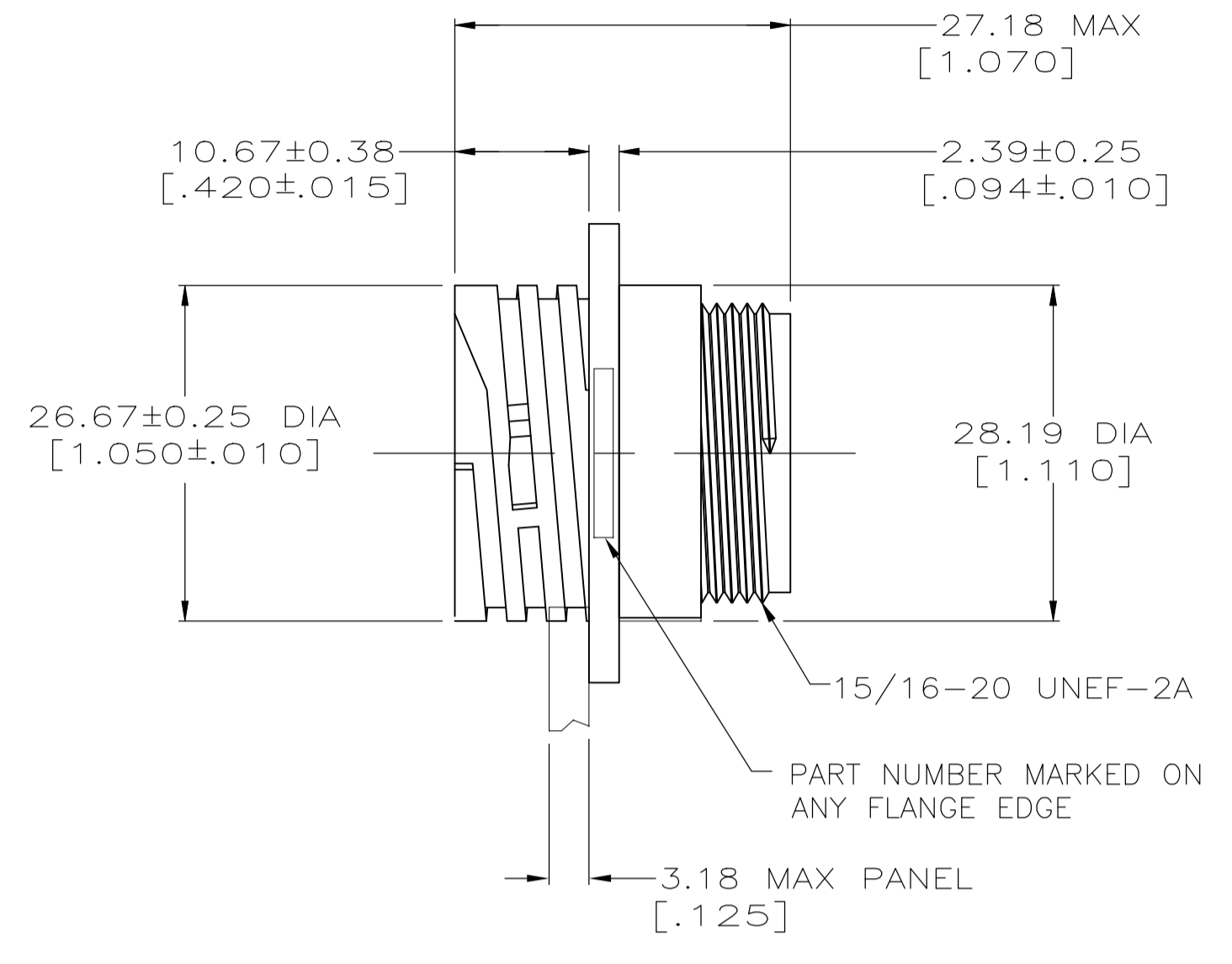
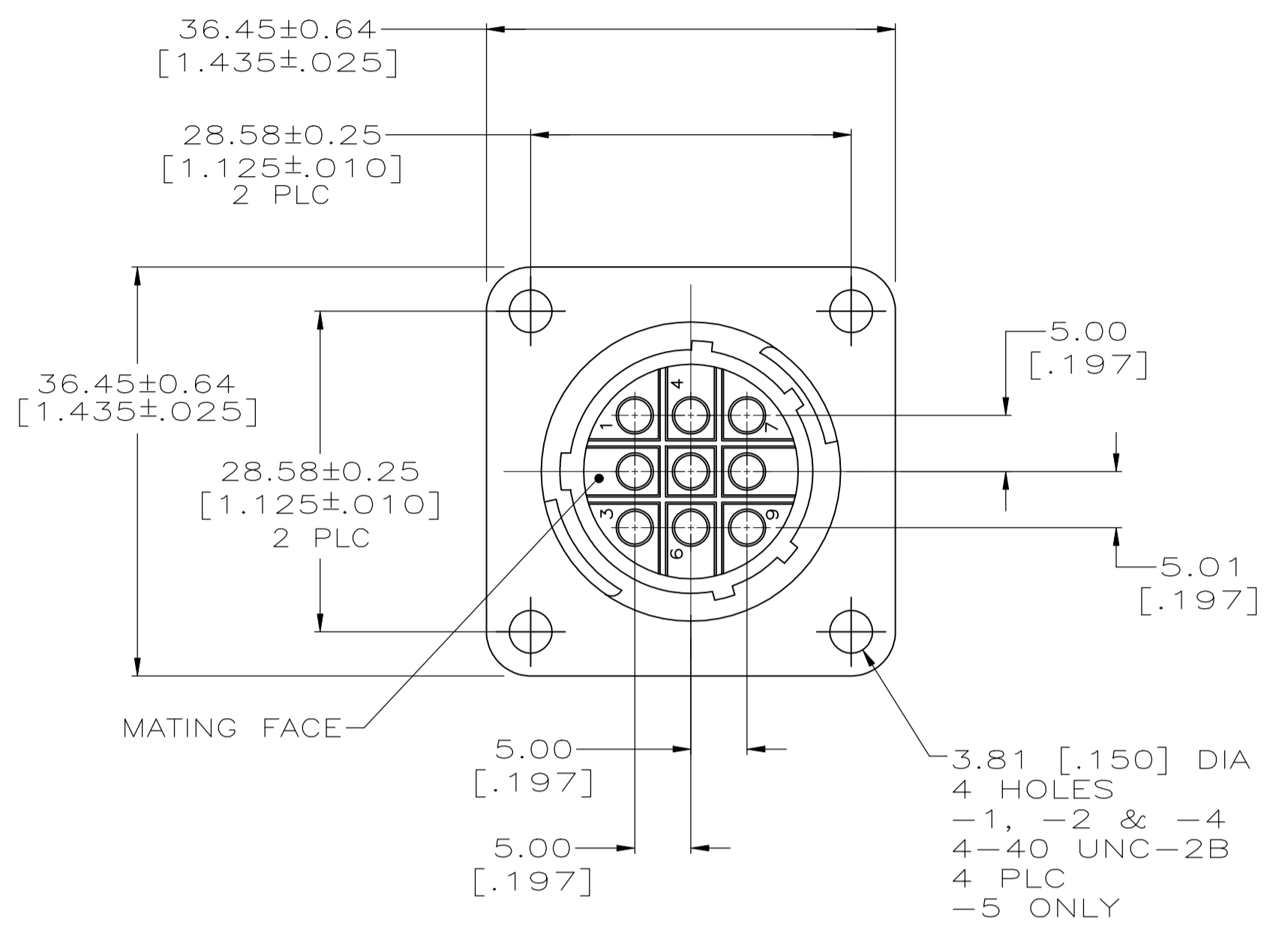
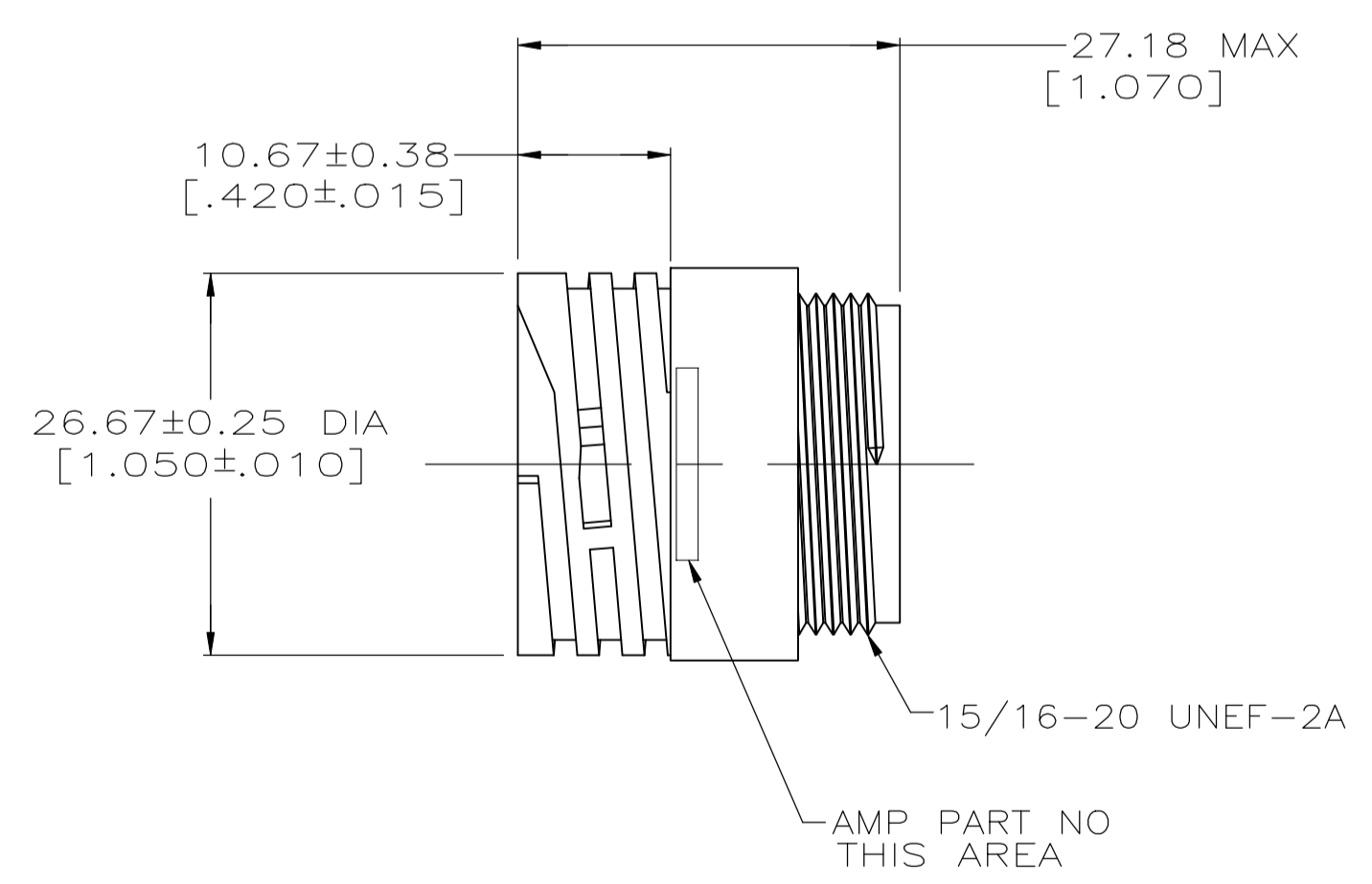
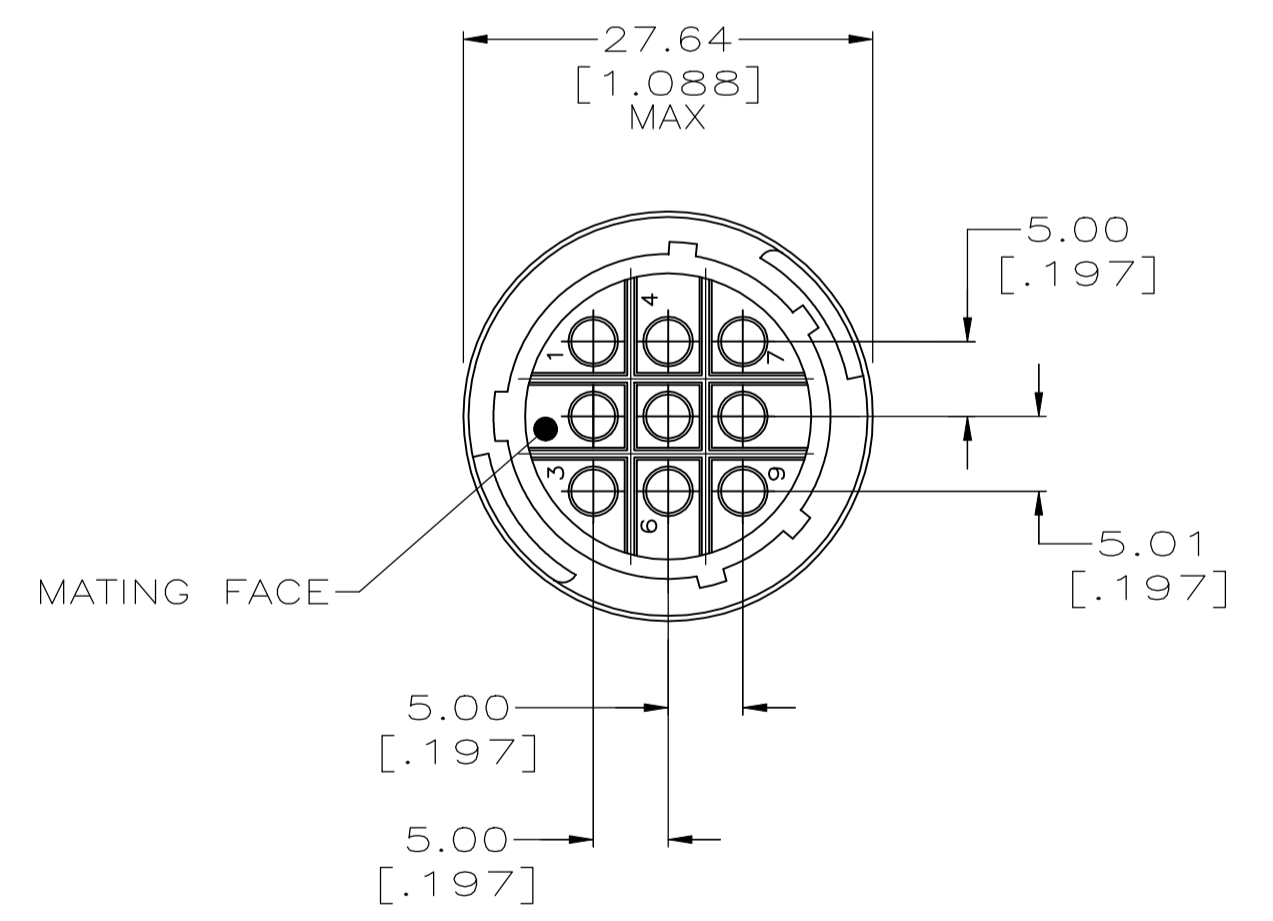


REVISIONS				
REV	BY	DESCRIPTION	DATE	APP'D
G1		REVISED PER ECO-11-004820	11MAR11	RK HMR
H		REVISED PER ECO-18-006771	30OCT2018	RS MZ



RECOMMENDED PANEL CUTOUT

211769-1, -2, -4 & -5



211769-3

1. CAVITY IDENTIFICATION ON FRONT AND REAR FACE.
2. WILL ACCEPT NINE (9) MULTIMATE SOCKET CONTACTS.
3. 3.81[.150] MAXIMUM INSULATION DIAMETER.
4. 2.54[.100] MAXIMUM INSULATION DIAMETER.

YES	FLANGE	211769-5
NO	FLANGE	211769-4
NO	FREE HANGING	211769-3
NO	FLANGE	211769-2
NO	FLANGE	211769-1
THREADED INSERTS	MOUNTING	PART NUMBER

THIS DRAWING IS A CONTROLLED DOCUMENT. DWN: D BROCKWAY 09-24-94
 CHK: R STONE 09-30-94
 APVD: A FRANTUM 10-03-94

STE TE Connectivity Ltd.

RECEPTACLE HOUSING, REVERSE SEX, SHELL SIZE 17, CPC

DIMENSIONS: mm [INCHES]	TOLERANCES UNLESS OTHERWISE SPECIFIED:	SIZE	CAGE CODE	DRAWING NO	RESTRICTED TO
0 PLC ± -	1 PLC ± -	A1	00779	211769	-
2 PLC ± 0.13 [005]	3 PLC ± -	SCALE	2:1	SHEET	1 OF 1
4 PLC ± -	ANGLES ± -	CUSTOMER DRAWING		REV	H

X-ON Electronics

Largest Supplier of Electrical and Electronic Components

Click to view similar products for [Standard Circular Connector](#) category:

Click to view products by [TE Connectivity](#) manufacturer:

Other Similar products are found below :

[5M2530B10P](#) [600259N006](#) [600273N007](#) [6134-336-13149](#) [6134-337-11149](#) [6134-337-2390](#) [6134-341-17149](#) [6280-4SG-516](#) [6280-7SG-3DC](#)
[6290](#) [6291A](#) [66200A-10](#) [680-SMG](#) [681-PMG](#) [CXS3102A14S2P](#) [CXS3102A181S](#) [7251-5SG-300](#) [7271-6SG-300](#) [7282-3PG-300-CH3](#) [75-](#)
[474618-01S](#) [75-474618-04P](#) [75-474618-04S](#) [799539-000](#) [MI8-SE](#) [805-005-07NF11-19PC](#) [805-005-07NF15-7PA](#) [8280-4PG-516](#) [8280-7PG-](#)
[519](#) [8282-5PG-519](#) [836783-1](#) [MP-4102-25P-C](#) [862256-1](#) [864019-2](#) [866857-1](#) [867865-1](#) [PT01SP-14-18P](#) [PT08P-14-5S](#) [PTSF06SE-14-12S](#)
[120-1833-000](#) [QCM019PC2DC012B](#) [1-2069279-1](#) [121583-0217](#) [121667-0020](#) [129591AU](#) [1000B BULK](#) [RD10A16-19-P6CS051/1](#)
[RD10A20-31-P8CS051/1](#) [RD16A14-12-S6CS051/2](#) [1301240290](#) [1301240347](#) [1301860202](#)