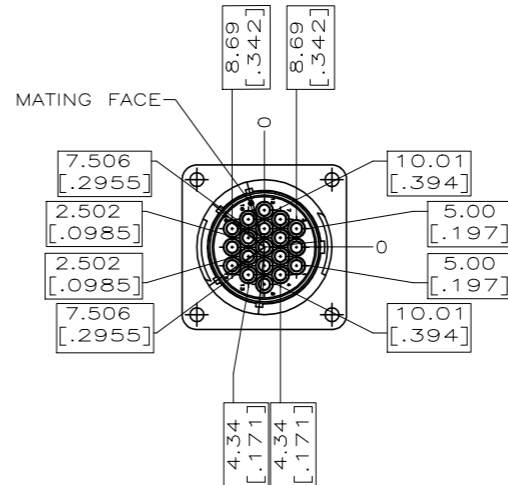
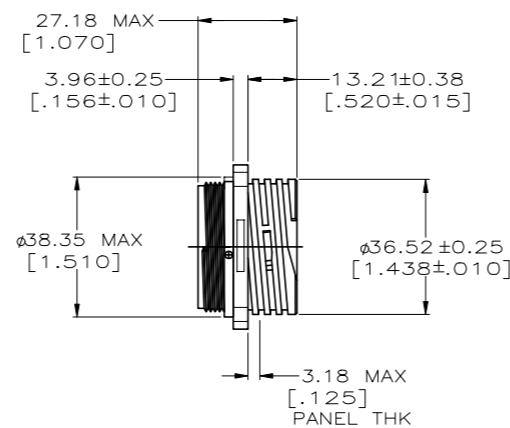
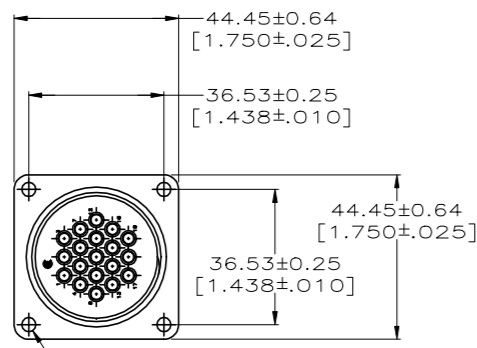


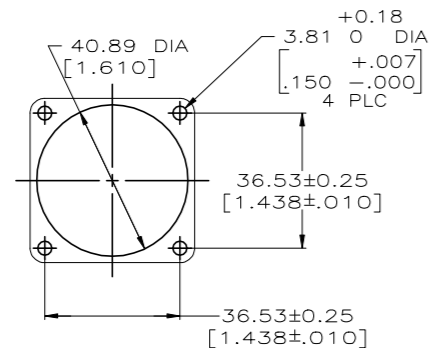
THIS DRAWING IS UNPUBLISHED. RELEASED FOR PUBLICATION
 © COPYRIGHT - By - ALL RIGHTS RESERVED.

REVISIONS				
#	LTR	DESCRIPTION	DATE	APPD
G1		REVISED PER ECO-11-004820	11MAR11	RK HMR
H		REVISED PER ECO-17-000037	10MAR2017	RS MZ
J		REVISED PER ECO-19-014836	23OCT2019	RS MZ



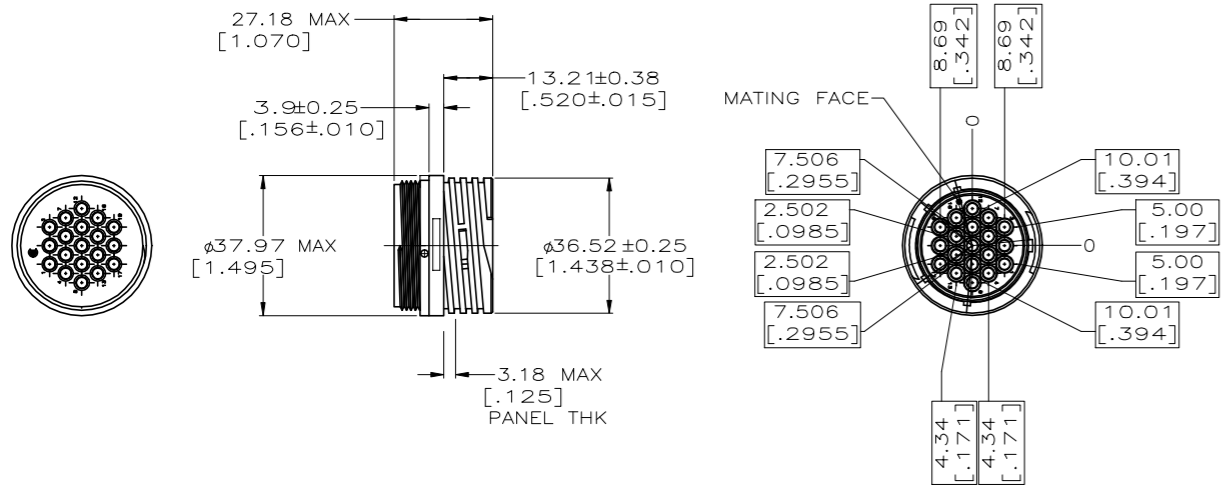
- NOTES:
- WILL ACCEPT (19) MULTIMATE SOCKET CONTACTS.
 - CONTACT CAVITIES IDENTIFIED BY CHARACTERS ON FRONT AND REAR FACES OF CONNECTOR.
 - 3.81[.150] MAX INSULATION DIAMETER.
 - 2.54[.100] MAX INSULATION DIAMETER.
 - MATERIALS:
 HOUSING: PA66, BLACK
 PERIPHERAL SEAL: NITRILE BUTADIENE RUBBER, BLACK
 THREADED INSERTS: BRASS

MOUNTING FEATURES
 4 PLACES
 SEE TABLE

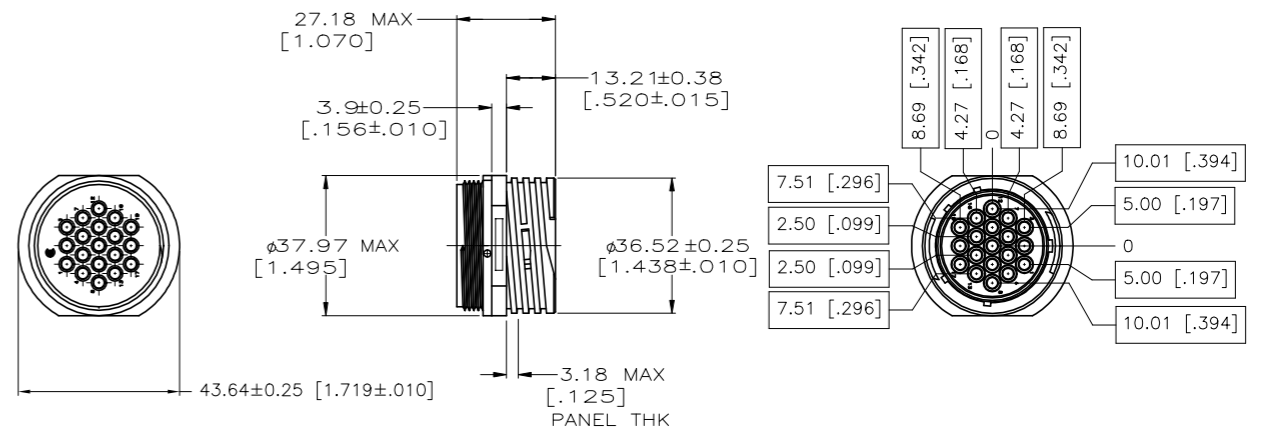


211773-1, 211773-2, 211773-6 & 211773-7

PANEL CUTOUT



211773-4



211773-5

	4-40 THREADED INSERTS	NO	211773-7
	4-40 THREADED INSERTS	YES	211773-6
⚠	OBSOLETE	NO	211773-5
⚠	OBSOLETE	NO	211773-4
⚠	⌀3.81 [.150] HOLES	NO	211773-2
⚠	⌀3.81 [.150] HOLES	NO	211773-1
	MOUNTING FEATURES	PERIPHERAL SEAL	PART NUMBER

THIS DRAWING IS A CONTROLLED DOCUMENT.

DIMENSIONS:	TOLERANCES UNLESS OTHERWISE SPECIFIED:	DATE	02JAN01
mm	0 PLC ± -	DRW	S.URICH
⌀	1 PLC ± -	CHK	M.CHACO
∠	2 PLC ± 0.13[.005]	APPD	M.CHACO
	3 PLC ± -	NAME	
	4 PLC ± -	PRODUCT SPEC	
	ANGLES ± -	APPLICATION SPEC	
MATERIAL:	FINISH	SIZE	A1
5		WEIGHT	
		SCALE	1:1

TE Connectivity
 RECEPTACLE HOUSING, REVERSE SEX,
 SERIES I, SHELL SIZE 23, CPC
 DRAWING NO: 211773
 SHEET 1 OF 1

X-ON Electronics

Largest Supplier of Electrical and Electronic Components

Click to view similar products for [Standard Circular Connector](#) category:

Click to view products by [TE Connectivity](#) manufacturer:

Other Similar products are found below :

[5M2530B10P](#) [600259N006](#) [600273N007](#) [6134-336-13149](#) [6134-337-11149](#) [6134-337-2390](#) [6134-341-17149](#) [6280-4SG-516](#) [6280-7SG-3DC](#)
[6290](#) [6291A](#) [66200A-10](#) [680-SMG](#) [681-PMG](#) [CXS3102A14S2P](#) [CXS3102A181S](#) [7251-5SG-300](#) [7271-6SG-300](#) [7282-3PG-300-CH3](#) [75-](#)
[474618-01S](#) [75-474618-04P](#) [75-474618-04S](#) [799539-000](#) [MI8-SE](#) [805-005-07NF11-19PC](#) [805-005-07NF15-7PA](#) [8280-4PG-516](#) [8280-7PG-](#)
[519](#) [8282-5PG-519](#) [836783-1](#) [MP-4102-25P-C](#) [862256-1](#) [864019-2](#) [866857-1](#) [867865-1](#) [PT01SP-14-18P](#) [PT08P-14-5S](#) [PTSF06SE-14-12S](#)
[120-1833-000](#) [QCM019PC2DC012B](#) [1-2069279-1](#) [121583-0217](#) [121667-0020](#) [129591AU](#) [1000B BULK](#) [RD10A16-19-P6CS051/1](#)
[RD10A20-31-P8CS051/1](#) [RD16A14-12-S6CS051/2](#) [1301240290](#) [1301240347](#) [1301860202](#)