

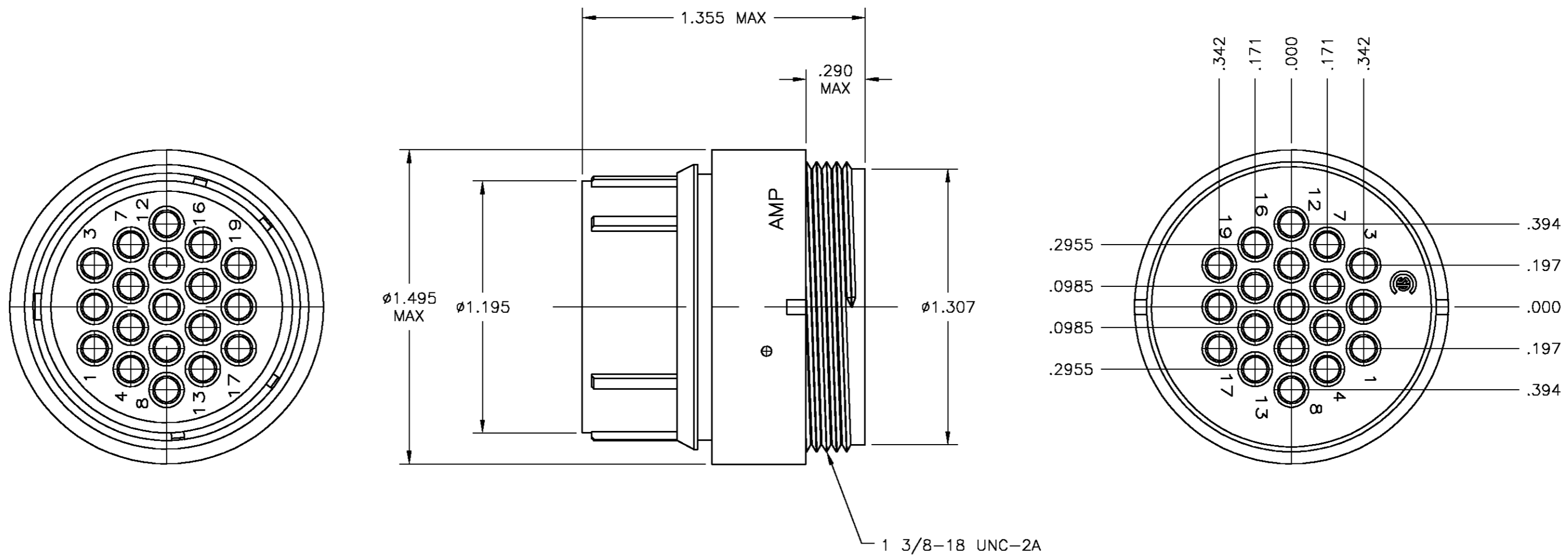
THIS DRAWING IS UNPUBLISHED. RELEASED FOR PUBLICATION
 © COPYRIGHT BY TYCO ELECTRONICS CORPORATION. ALL RIGHTS RESERVED.

| LOC | | DIST | | REVISIONS | | | |
|-----|-----|-------------|--------------------------|-----------|-----|------|--|
| P | LTR | DESCRIPTION | | DATE | DWN | APVD | |
| FT | 1 | A | REVISED PER OB3B-0611-02 | 3/17/03 | SS | SH | |

NOTES:

1. CAVITY IDENTIFICATION NUMBERS FRONT AND REAR FACE.

2. NYLON, BLACK.



211777-1
 PART NUMBER

| | | | | | | | | | | |
|--|--|------------------|------------|-------------------|--|-------|--------|---------------------------------------|-----------|------------|
| THIS DRAWING IS A CONTROLLED DOCUMENT. | | DWN | S SCHLEGEL | 3/17/03 | Tyco Electronics Corporation Harrisburg, PA 17105 | | | | | |
| DIMENSIONS: INCHES | | CHK | S HEADER | 3/17/03 | | | | NAME | | |
| TOLERANCES UNLESS OTHERWISE SPECIFIED: | | APVD | S HEADER | 3/17/03 | | | | PLUG HOUSING, REVERSE SEX, 23-19, CPC | | |
| 0 PLC ± - 1 PLC ± - 2 PLC ± - 3 PLC ± .005 4 PLC ± - ANGLES ± - FINISH - | | PRODUCT SPEC | - | | | | | SIZE | CAGE CODE | DRAWING NO |
| MATERIAL | | WEIGHT | | A2 00779 C=211777 | | | - | | | |
| | | CUSTOMER DRAWING | | SCALE | 2:1 | SHEET | 1 OF 1 | REV | A | |

X-ON Electronics

Largest Supplier of Electrical and Electronic Components

Click to view similar products for [Standard Circular Connector](#) category:

Click to view products by [TE Connectivity](#) manufacturer:

Other Similar products are found below :

[C015 10F006 001 1](#) [5M2530B10P](#) [600247N007](#) [600259N006](#) [600273N007](#) [600432N009](#) [6280-2PG-519](#) [6280-3PG-311](#) [6280-3SG-311](#)
[6280-7SG-3DC](#) [6280-7SG-522](#) [6282-5PG-311](#) [6282-6PG-519](#) [6282-8SG-311](#) [6283-11](#) [6283-15](#) [6290](#) [6293](#) [6382-2PG-311](#) [6382-2PG-3DC](#)
[6382-2SG-321](#) [6382-2SG-3DC](#) [6382-4SG-516](#) [67-03E20-37P](#) [681-PMG](#) [CXC3106A1811S](#) [CXS3102A14S2P](#) [CXS3102A181S](#)
[CXS3106A14S6S](#) [D38999/20FC8SA L/C](#) [MB12P-1](#) [MB12R-6](#) [7251-2PG-300](#) [7251-2SG-300](#) [7251-4PG-300](#) [7251-4SG-300](#) [7251-5PG-300](#)
[7251-5SG-300](#) [7251-6SG-300](#) [7251-7PG-300](#) [7251-8PG-300](#) [7271-6SG-300](#) [7282-3PG-300-CH3](#) [73000005663](#) [75-190011-03P](#) [75-190216-08S](#) [75-190218-10P](#) [75-214636-52P](#) [75-474118-10P](#) [75-474211-03P](#)