

4

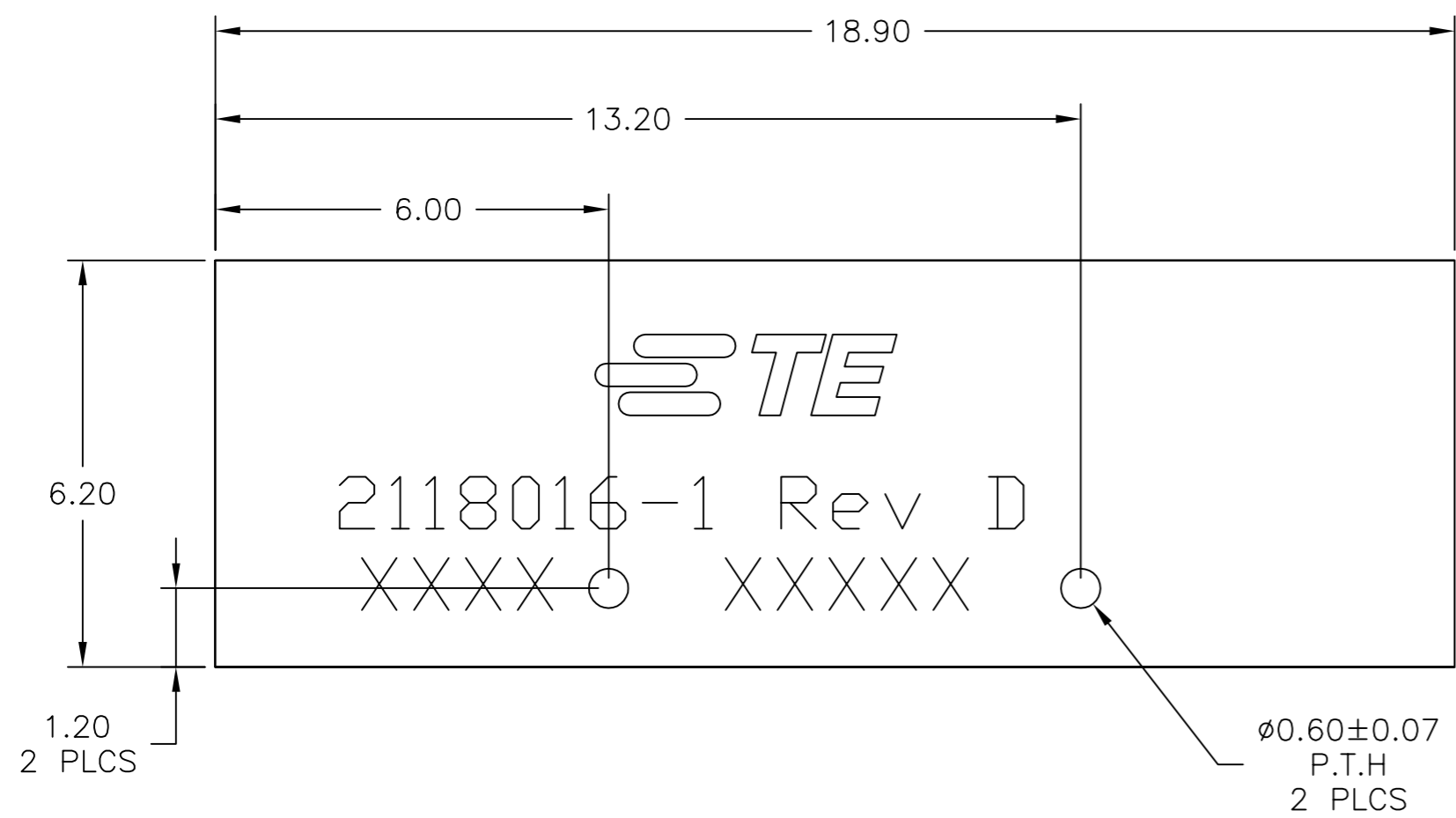
3

2

1

THIS DRAWING IS UNPUBLISHED. RELEASED FOR PUBLICATION  
 © COPYRIGHT - By - ALL RIGHTS RESERVED.

LOC		DIST		REVISIONS			
P	LTR	DESCRIPTION	DATE	DWN	APVD		
AJ	00						
	D	REVISED PER ECO-17-016886	08NOV2017	AP	JM		



2118016-1 AS SHOWN  
PRIMARY SIDE

NOTES: UNLESS OTHERWISE SPECIFIED.

1. FABRICATE TO MEET IPC - 6012, CLASS 2.  
INSPECT TO MEET IPC - A - 600, CLASS 2.

2. PRIMARY AND SECONDARY SIDES SHOWN

3 MATERIAL: GETEK 4 PLY (7628) 0.71 THK.  
GRADE ML200D 1/2 OZ. COPPER BOTH SIDES.  
DIELECTRIC CONSTANT @ 1MHZ 4.2±0.1.

4. FINISH:

- A: PLATING: 1/2 Oz COPPER
- B: SOLDERMASK OVER BARE COPPER (SMOBC).
- C: MASK BOTH SIDES OF PCB WITH LPI SOLDERMASK.  
SOLDERMASK COLOR: NATURAL GREEN.
- D: (ENIG) ELECTROLESS NICKEL IMMERSION GOLD FINISH  
0.05 μm MIN GOLD (2μin) OVER 3μm MIN. NICKEL  
(118μin)

5. TWO PLACE TOLERANCES: ±0.23

6 PACKAGING: SINGULATED PARTS TO BE VACUUM PACKED  
IN BULK.

7 PACKAGING: EMBOSSED TAPE, P/N 1533393-5, SEE  
TAPE AND REEL VIEWS ON SHEET 2.

8. PARTS ARE COMPLIANT TO ROHS STANDARDS PER TE  
CONNECTIVITY STANDARD TEC-138-702.

7	2118016-1	2118016-2
6	3	2118016-1
PACKAGING	MATERIAL	PART NUMBER

THIS DRAWING IS A CONTROLLED DOCUMENT.		DWN D.WALLACE 17MAR2010	TE Connectivity	
DIMENSIONS: mm		CHK -	NAME G.GRIFFITH 17MAR2010	
TOLERANCES UNLESS OTHERWISE SPECIFIED:		PRODUCT SPEC		
0 PLC ± -		APPLICATION SPEC		
1 PLC ± -		WEIGHT		
2 PLC ± -		SIZE A2		
3 PLC ± -		CAGE CODE 00779		
4 PLC ± -		DRAWING NO C=2118016		
ANGLES ± ± -		RESTRICTED TO -		
FINISH		SCALE 10:1		
MATERIAL		SHEET 1 of 2		
-		REV D		
		CUSTOMER DRAWING		

4

3

2

1

THIS DRAWING IS UNPUBLISHED.

RELEASED FOR PUBLICATION

ALL RIGHTS RESERVED.

© COPYRIGHT - By -

LOC DIST  
AJ 00

REVISIONS

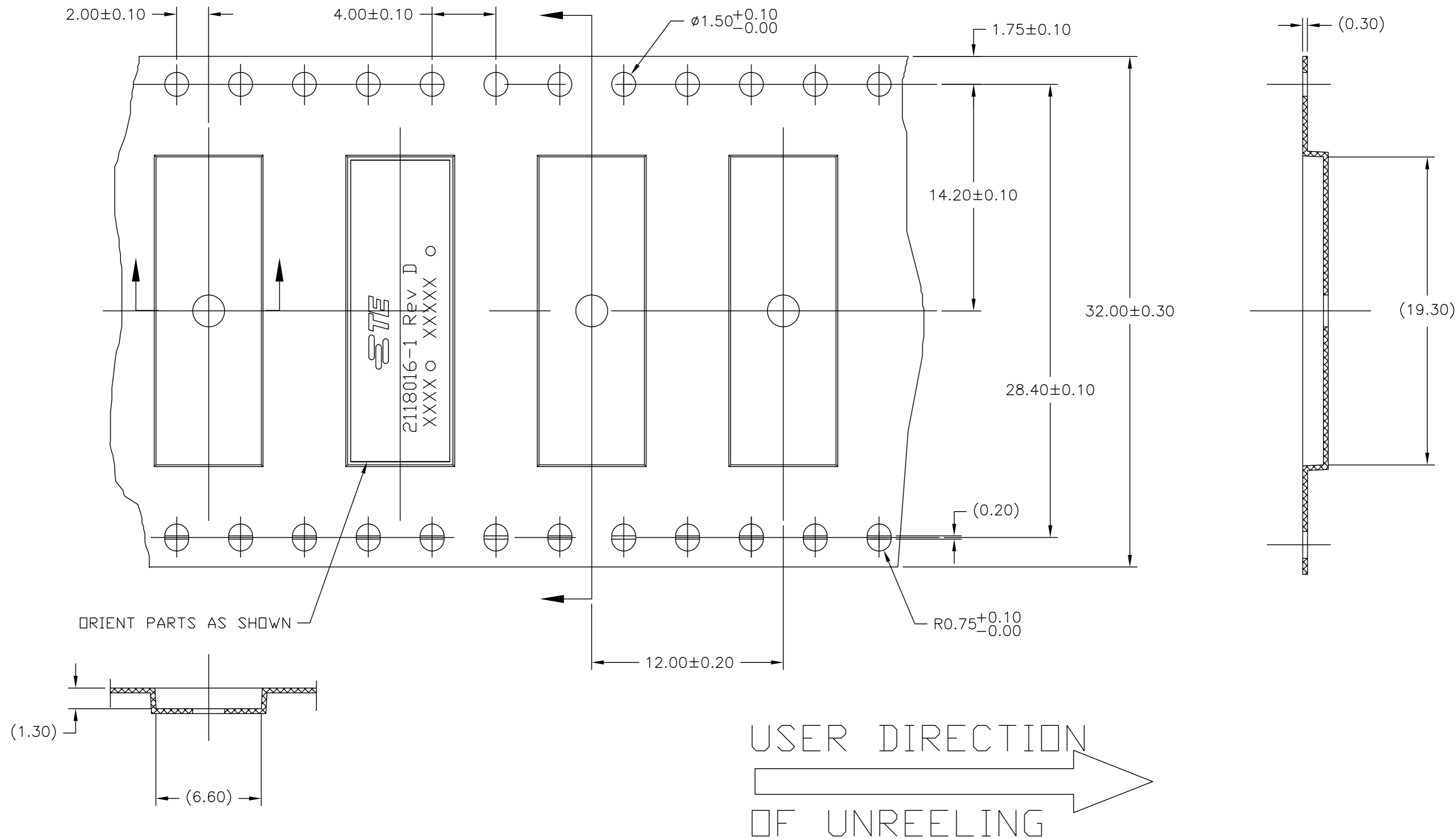
P	LTR	DESCRIPTION	DATE	DWN	APVD
-	-	SEE SHEET 1	-	-	-

D

C

B

A



ORIENT PARTS AS SHOWN

2118016-2 SHOWN  
SCALE 5:1

USER DIRECTION  
OF UNREELING

D

C

B

A

2118016

THIS DRAWING IS A CONTROLLED DOCUMENT.		DWN D.WALLACE 17MAR2010	TE Connectivity	
DIMENSIONS: mm		CHK - 17MAR2010		
TOLERANCES UNLESS OTHERWISE SPECIFIED: 0 PLC ± - 1 PLC ± - 2 PLC ± - 3 PLC ± - 4 PLC ± - ANGLES ± ± FINISH -		APVD G.GRIFFITH 17MAR2010	NAME WLAN WLAN DUAL BAND	
MATERIAL -		PRODUCT SPEC -	APPLICATION SPEC -	RESTRICTED TO -
		WEIGHT -	SIZE A2	CAGE CODE 00779
		CUSTOMER DRAWING	DRAWING NO C=2118016	SCALE 10:1
			SHEET 2 OF 2	REV D

## X-ON Electronics

Largest Supplier of Electrical and Electronic Components

*Click to view similar products for [Antennas](#) category:*

*Click to view products by [TE Connectivity](#) manufacturer:*

Other Similar products are found below :

[GAN30084EU](#) [930-033-R](#) [GW17.07.0250E](#) [1513563-1](#) [EXE902SM](#) [APAMPG-117](#) [MAF94383](#) [W3908B0100](#) [W6102B0100](#) [YE572113-30RSMM](#) [108-00014-50](#) [66089-2406](#) [SPDA17RP918](#) [A09-F8NF-M](#) [A09-F5NF-M](#) [RGFRA1903041A1T](#) [W3593B0100](#) [W3921B0100](#) [SIMNA-868](#) [SIMNA-915](#) [SIMNA-433](#) [W1044](#) [W1049B090](#) [A75-001](#) [WTL2449CQ1-FRSMM](#) [CPL9C](#) [EXB148BN](#) [0600-00060](#) [TRA9020S3PBN-001](#) [Y4503](#) [GD5W-28P-NF](#) [MA9-7N](#) [GD53-25](#) [GD5W-21P-NF](#) [C37](#) [MAF94051](#) [MA9-5N](#) [EXD420PL](#) [B1322NR](#) [QWFTB120](#) [MAF94271](#) [MAF94300](#) [GPSMB301](#) [FG4403](#) [AO-AGSM-OM54](#) [5200232](#) [MIKROE-2349](#) [WCM.01.0111](#) [MIKROE-2393](#) [MIKROE-2352](#)