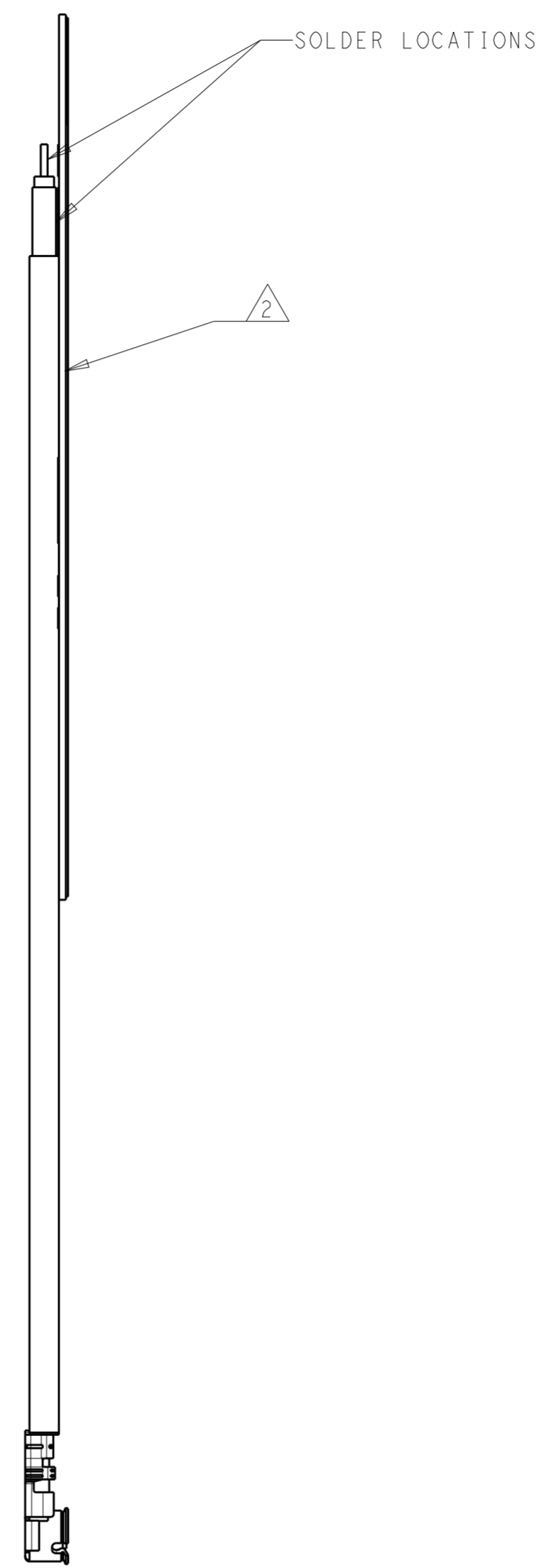
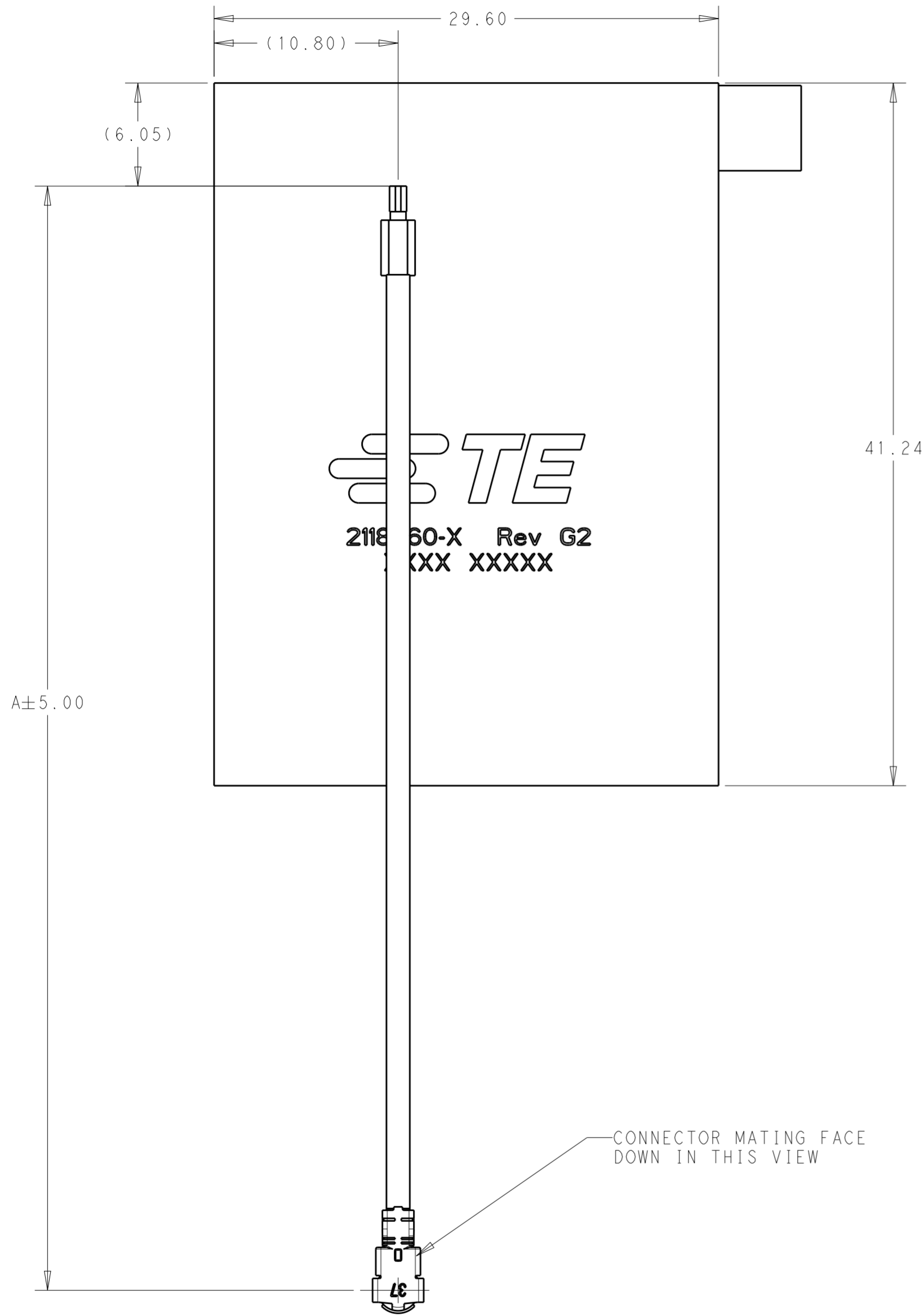


THIS DRAWING IS UNPUBLISHED. RELEASED FOR PUBLICATION
 © COPYRIGHT copyright.d8te- ALL RIGHTS RESERVED.

REVISIONS				
P	LTR	DESCRIPTION	DATE	APVD
E		REVISED PER ECO-17-005828	24APR2017	JPS JLM
F		REVISED PER ECO-17-013859	20SEP2017	CR JLM
G2		REVISED PER ECO-19-003701	07MAR2019	SJ JH
G3		REVISED PER ECO-20-008382	16JUN2020	SJ JH



- NOTES: UNLESS OTHERWISE SPECIFIED.
1. MATERIAL: FR4, 1 OZ. COPPER.
 - 2 REMOVE LINER FROM BACK OF ADHESIVE TO APPLY.
 3. REFERENCE TE DATA SHEET DS2118060-1 FOR ANTENNA SPECS.
 4. PRODUCT AND PROCESSING MEETS REQUIREMENTS OF TE CONNECTIVITY ENVIRONMENTAL STANDARD TEC-138-702.
 5. GENERAL TOLERANCES : ±0.2.

CONNECTOR MATING FACE DOWN IN THIS VIEW

80.00	2118060-3
350.00	2118060-1
A	PART NUMBER

THIS DRAWING IS A CONTROLLED DOCUMENT.		DWN J. SCHOLZ 09NOV2016	TE TE Connectivity		
DIMENSIONS: mm		CHK J. SCHOLZ 09NOV2016			
TOLERANCES UNLESS OTHERWISE SPECIFIED:		APVD J. MOORE 09NOV2016			
0 PLC ±	1 PLC ±	2 PLC ±0.2	3 PLC ±	4 PLC ±	NAME FPC ANTENNA CABLE ASSEMBLY WLAN, 1.37 DIA, MHF
MATERIAL -		FINISH -	PRODUCT SPEC -	APPLICATION SPEC -	SIZE A2
			WEIGHT -	CAGE CODE G-2118060	DRAWING NO G-2118060
			CUSTOMER DRAWING	SCALE 4:1	SHEET 1 OF 1
					REV G3

X-ON Electronics

Largest Supplier of Electrical and Electronic Components

Click to view similar products for [Antennas](#) category:

Click to view products by [TE Connectivity](#) manufacturer:

Other Similar products are found below :

[GAN30084EU](#) [930-033-R](#) [GW17.07.0250E](#) [1513563-1](#) [EXE902SM](#) [APAMPG-117](#) [MAF94383](#) [W3908B0100](#) [W6102B0100](#) [YE572113-30RSMM](#) [108-00014-50](#) [66089-2406](#) [SPDA17RP918](#) [A09-F8NF-M](#) [A09-F5NF-M](#) [RGFRA1903041A1T](#) [W3593B0100](#) [W3921B0100](#) [SIMNA-868](#) [SIMNA-915](#) [SIMNA-433](#) [W1044](#) [W1049B090](#) [A75-001](#) [WTL2449CQ1-FRSMM](#) [CPL9C](#) [EXB148BN](#) [0600-00060](#) [TRA9020S3PBN-001](#) [Y4503](#) [GD5W-28P-NF](#) [MA9-7N](#) [GD53-25](#) [GD5W-21P-NF](#) [C37](#) [MAF94051](#) [MA9-5N](#) [EXD420PL](#) [B1322NR](#) [QWFTB120](#) [MAF94271](#) [MAF94300](#) [GPSMB301](#) [FG4403](#) [AO-AGSM-OM54](#) [5200232](#) [MIKROE-2349](#) [WCM.01.0111](#) [MIKROE-2393](#) [MIKROE-2352](#)