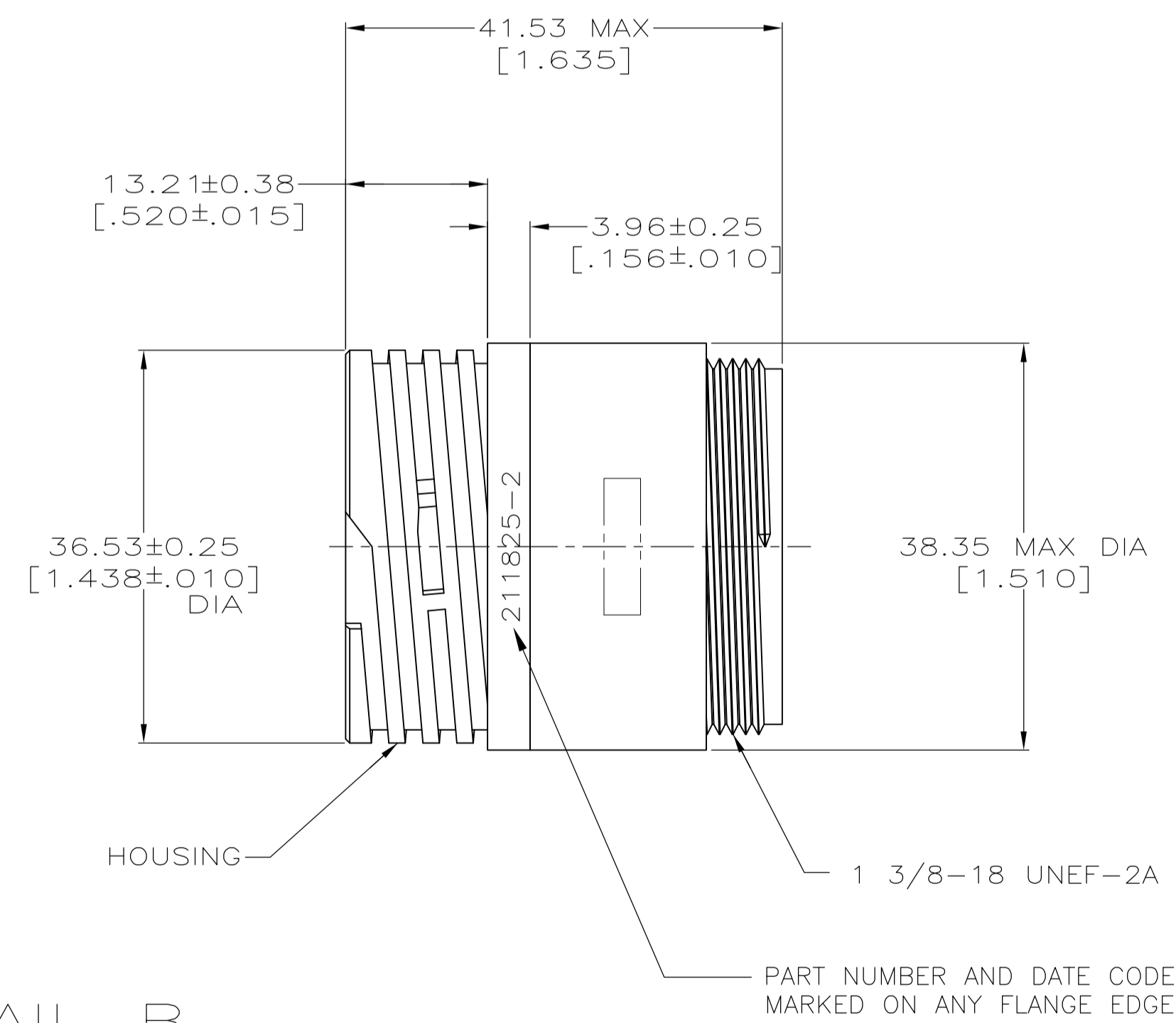
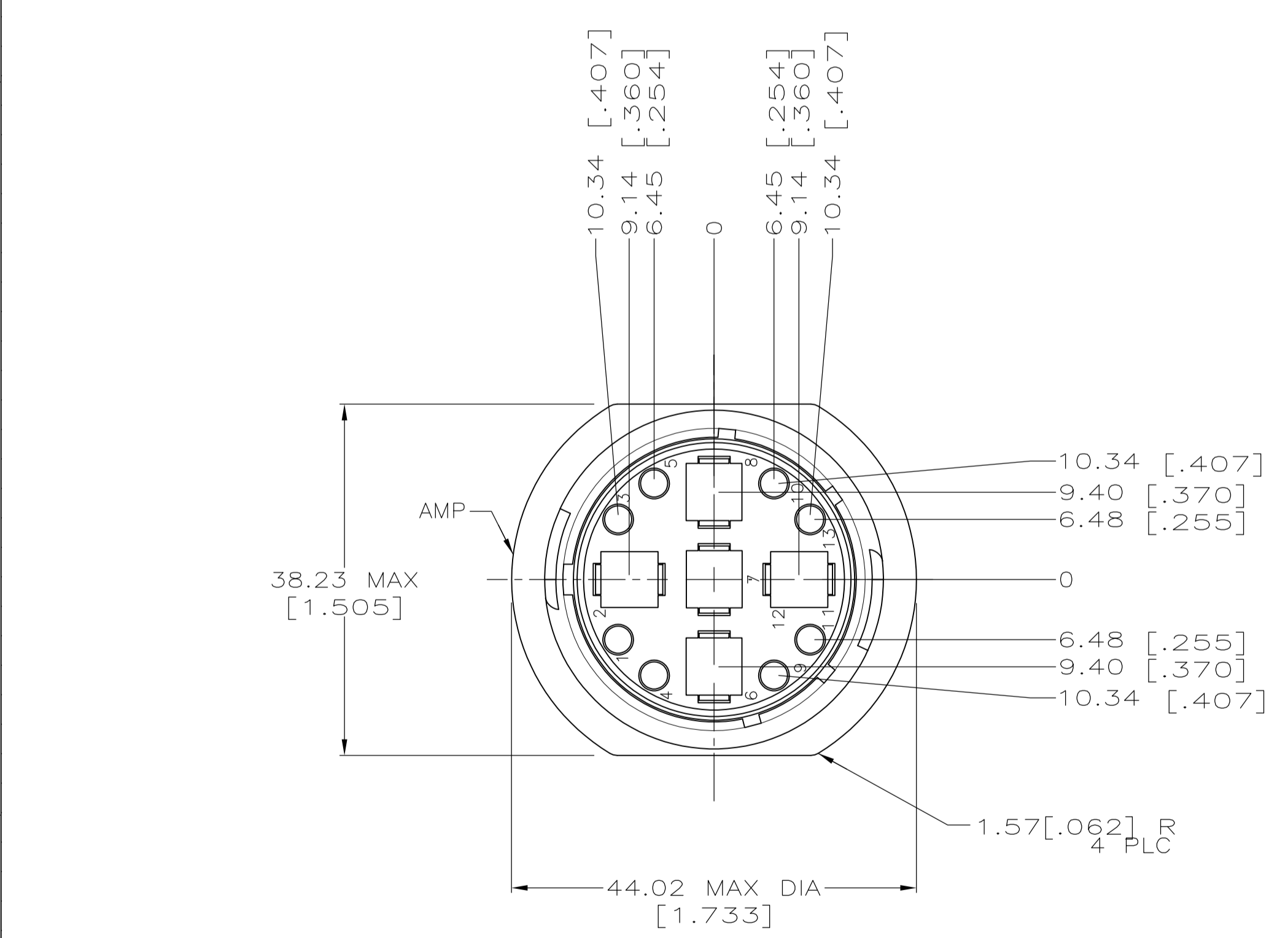


DETAIL A



DETAIL B

- 1 WILL ACCEPT (8) MULTIMATE PINS AND (5) TYPE XII MALE CONTACTS.
- 2 CAVITY IDENTIFICATION ON FRONT AND REAR FACE.
- 3 CAVITY IDENTIFICATION ON FRONT AND REAR FACE.
- 4 MAX WIRE INSULATION DIAMETERS:  
MULTIMATE: 3.43[.135] MAX DIA.  
TYPE XII: 5.59[.220] MAX DIA.
- 5 THIS RECEPTACLE MATES WITH PLUG ASSEMBLY 211824-1.
- 6 OBSOLETE PARTS: OBSOLETE CIS STREAMLINING PER D.RENAUD/D.SINISI

OBSOLETE	YES	A	211825-3
	NO	B	211825-2
	NO	A	211825-1
PERIPHERAL SEAL	SEE DETAIL	PART NUMBER	

THIS DRAWING IS A CONTROLLED DOCUMENT.		DIN M. BINNER 05/26/94	STE TE Connectivity	
DIMENSIONS: mm [INCHES]		CHK R. STONE 6-23-94	NAME	
TOLERANCES UNLESS OTHERWISE SPECIFIED:		APVO A. FRANTUM 7-13-94	RECEPTACLE HOUSING, STANDARD SEX, SHELL SIZE 23, CPC	
0 PLC ± -	1 PLC ± -	PRODUCT SPEC	108-10024	
2 PLC ± ± 0.13[.005]	3 PLC ± -	APPLICATION SPEC	-	
4 PLC ± -	ANGLES ± -	SIZE	CAGE CODE	DRAWING NO
MATERIAL HOUSING: NYLON, BLACK	FINISH -	WEIGHT -	A1 00779	211825
CUSTOMER DRAWING		SCALE 2:1	SHEET 1 of 1	REV F

## X-ON Electronics

Largest Supplier of Electrical and Electronic Components

*Click to view similar products for [Standard Circular Connector](#) category:*

*Click to view products by [TE Connectivity](#) manufacturer:*

Other Similar products are found below :

[5M2530B10P](#) [600259N006](#) [600273N007](#) [6134-336-13149](#) [6134-337-11149](#) [6134-337-2390](#) [6134-341-17149](#) [6280-4SG-516](#) [6280-7SG-3DC](#)  
[6290](#) [6291A](#) [66200A-10](#) [680-SMG](#) [681-PMG](#) [CXS3102A14S2P](#) [CXS3102A181S](#) [7271-6SG-300](#) [7282-3PG-300-CH3](#) [75-474618-01S](#) [75-](#)  
[474618-04P](#) [75-474618-04S](#) [799539-000](#) [MI8-SE](#) [805-005-07NF11-19PC](#) [805-005-07NF15-7PA](#) [8280-4PG-516](#) [8280-7PG-519](#) [8282-5PG-](#)  
[519](#) [836783-1](#) [MP-4102-25P-C](#) [862256-1](#) [864019-2](#) [866857-1](#) [867865-1](#) [PT01SP-14-18P](#) [PT08P-14-5S](#) [120-1833-000](#)  
[QCM019PC2DC012B](#) [1-2069279-1](#) [121583-0217](#) [121667-0020](#) [129591AU](#) [1000B BULK](#) [RD10A16-19-P6CS051/1](#) [RD10A20-31-](#)  
[P8CS051/1](#) [RD16A14-12-S6CS051/2](#) [1301240290](#) [1301240347](#) [1301860202](#) [1301240268](#) [1301240275](#)