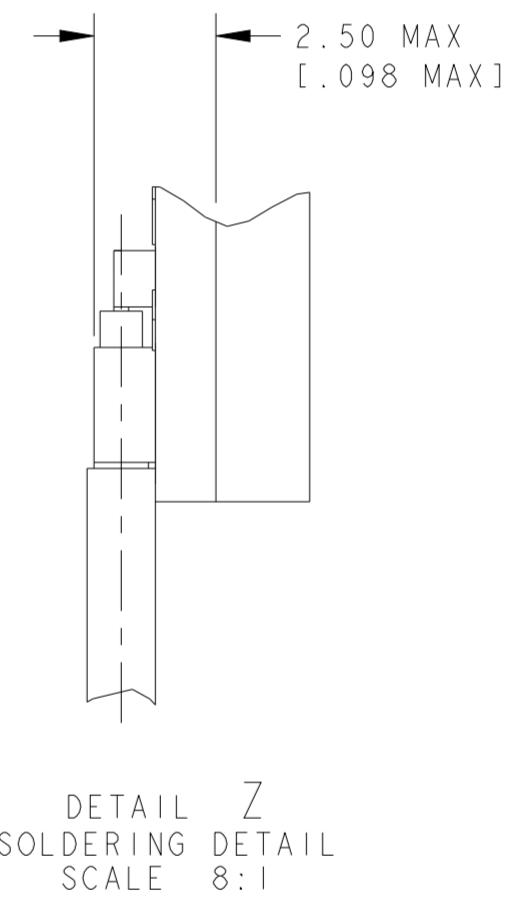
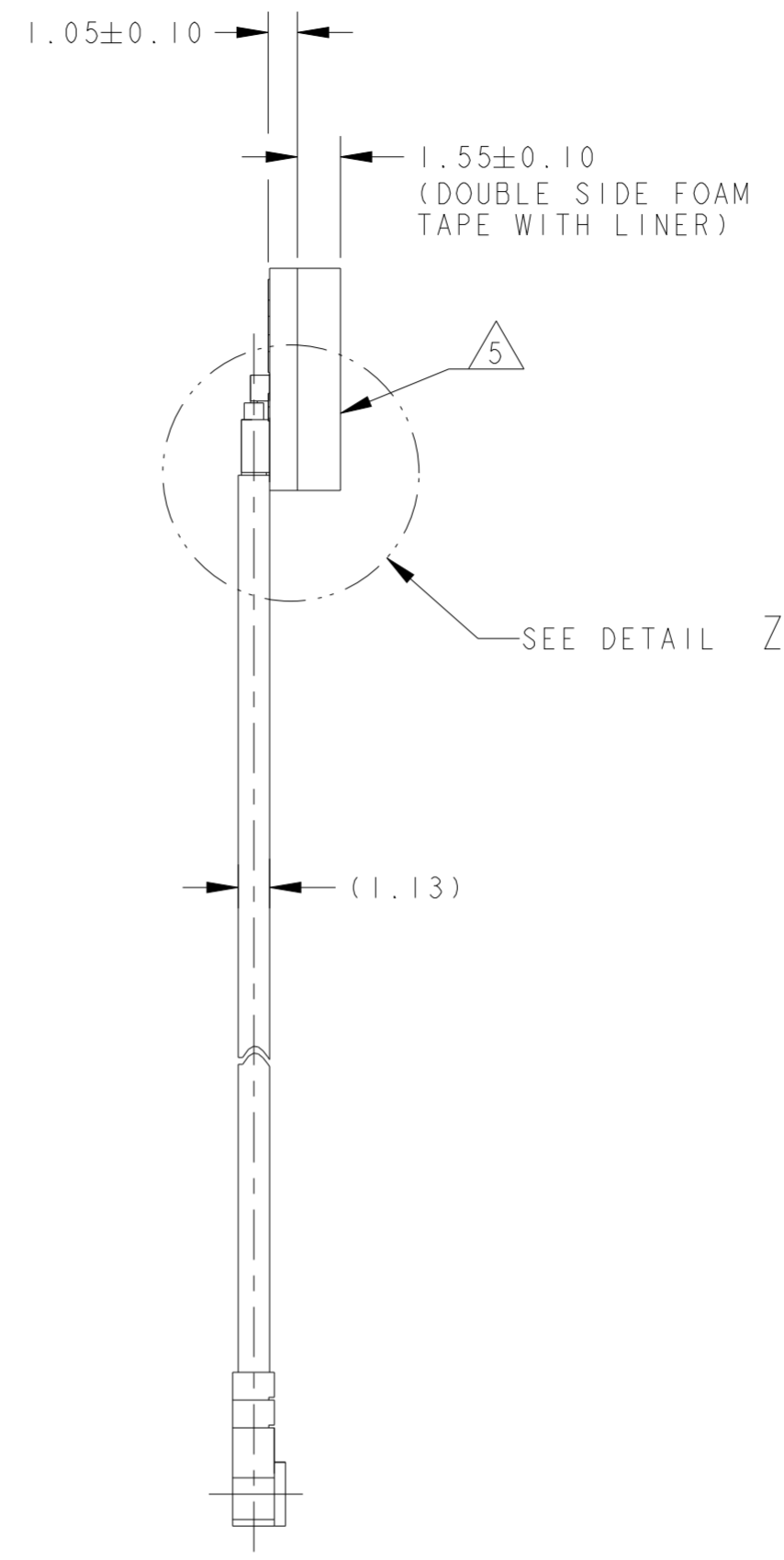
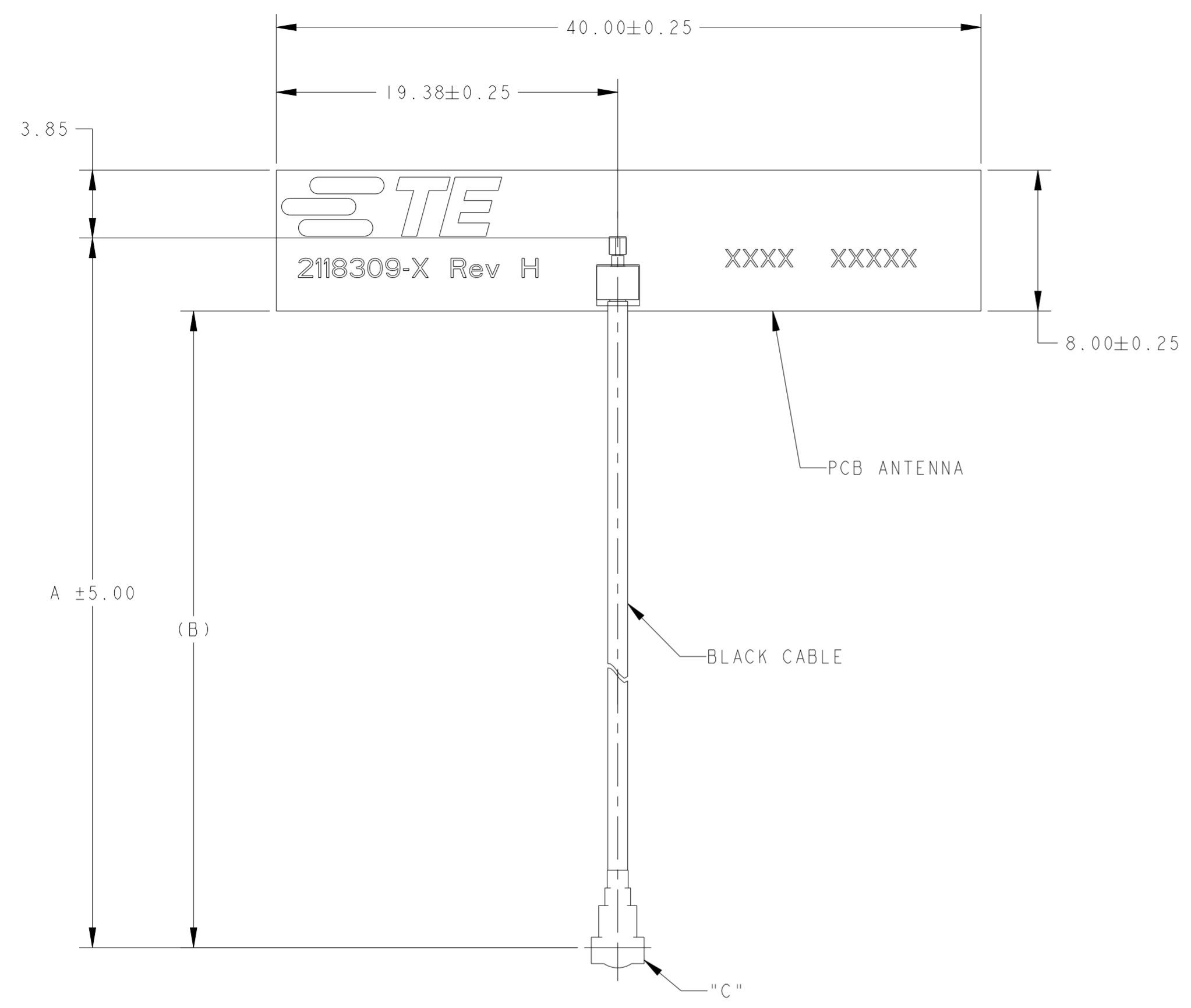


THIS DRAWING IS UNPUBLISHED. RELEASED FOR PUBLICATION 20  
 © COPYRIGHT 20 BY TYCO ELECTRONICS CORPORATION ALL RIGHTS RESERVED.

LOC	DIST	REVISIONS			
P	LTR	DESCRIPTION	DATE	DWN	APVD
00	AJ				
E		REVISED PER ECO-16-005878	13APR2016	JPS	JLM
F		REVISED PER ECO-17-000307	11JAN2017	AP	JLM
G2		REVISED PER ECO-19-003701	11MAR2019	SJ	JH
H		REVISED PER ECN-21-107859	01JUL2021	SJ	CY



- ASSEMBLY IS RoHS COMPLIANT.
- MINIMUM IDENTIFICATION INCLUDES:  
TOP LAYER: TE LOGO, TE ASSEMBLY PART NUMBER, ASSEMBLY REVISION LETTER, AND FOUR DIGIT DATE CODE (FIRST 2 DIGITS FOR THE WEEK CODE AND THE 2ND TWO DIGITS FOR THE YEAR CODE).
- MATERIALS: FR-4 PCB MATERIAL  
TOTAL THICKNESS: 1.05, SINGLE SIDE, 1/2 OUNCE COPPER.
- OVERPLATING: PLATING ON EXPOSED COPPER AREAS TO BE E.N.I.G. FINISH.
- REMOVE LINER FROM DOUBLE SIDED FOAM TAPE 3M VHB RP62 TO APPLY ANTENNA IN APPLICATION.
- PRODUCT PACKAGED IN A BAG.
- CONSULT TE CONNECTIVITY DATA SHEET DS2118309.

MHF	(60.00)	64.15	2118309-8
MHF 4	(370.85)	375.00	2118309-6
	(220.85)	225.00	2118309-5
	(115.85)	120.00	2118309-4
MHF	(45.85)	50.00	2118309-3
	(268.85)	273.00	2118309-2
	(115.85)	120.00	2118309-1
"C" CONNECTOR TYPE	(B)	A	PART NUMBER

THIS DRAWING IS A CONTROLLED DOCUMENT.

DWN	K. FOLTZ	11MAR2013
CHK	G. GRIFFITH	11MAR2013
APVD	G. GRIFFITH	11MAR2013

TE Connectivity

WLAN DUAL BAND ANTENNA, 1.13 CABLE PCB GP INDEPENDENT

SIZE	CAGE CODE	DRAWING NO	RESTRICTED TO
A2	00779	C-2118309	-

CUSTOMER DRAWING SCALE 4:1 SHEET 1 OF 1 REV H

## X-ON Electronics

Largest Supplier of Electrical and Electronic Components

*Click to view similar products for [Antennas](#) category:*

*Click to view products by [TE Connectivity](#) manufacturer:*

Other Similar products are found below :

[GAN30084EU](#) [930-033-R](#) [GW17.07.0250E](#) [1513563-1](#) [EXE902SM](#) [APAMPG-117](#) [MAF94383](#) [W3908B0100](#) [W6102B0100](#) [YE572113-30RSMM](#) [108-00014-50](#) [66089-2406](#) [SPDA17RP918](#) [A09-F8NF-M](#) [A09-F5NF-M](#) [RGFRA1903041A1T](#) [W3593B0100](#) [W3921B0100](#) [SIMNA-868](#) [SIMNA-915](#) [SIMNA-433](#) [W1044](#) [W1049B090](#) [A75-001](#) [WTL2449CQ1-FRSMM](#) [CPL9C](#) [EXB148BN](#) [0600-00060](#) [TRA9020S3PBN-001](#) [Y4503](#) [GD5W-28P-NF](#) [MA9-7N](#) [GD53-25](#) [GD5W-21P-NF](#) [C37](#) [MAF94051](#) [MA9-5N](#) [EXD420PL](#) [B1322NR](#) [QWFTB120](#) [MAF94271](#) [MAF94300](#) [GPSMB301](#) [FG4403](#) [AO-AGSM-OM54](#) [5200232](#) [MIKROE-2349](#) [WCM.01.0111](#) [MIKROE-2393](#) [MIKROE-2352](#)