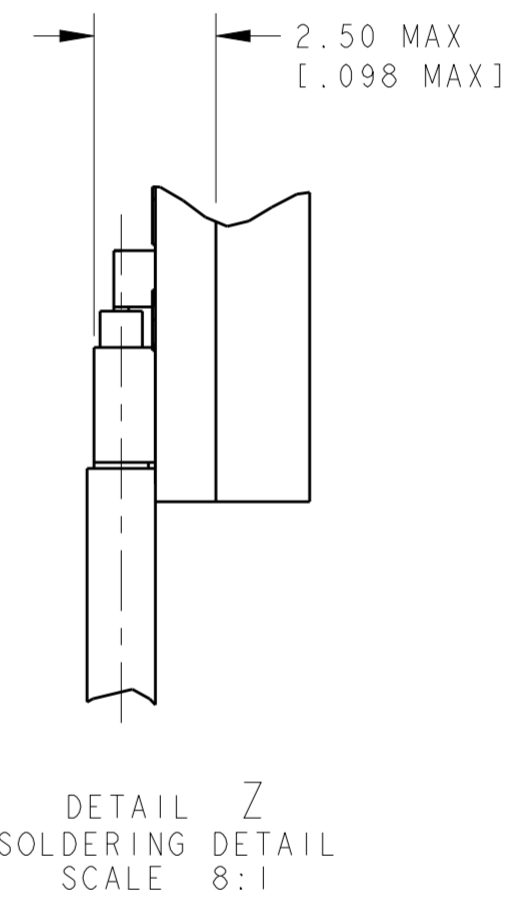
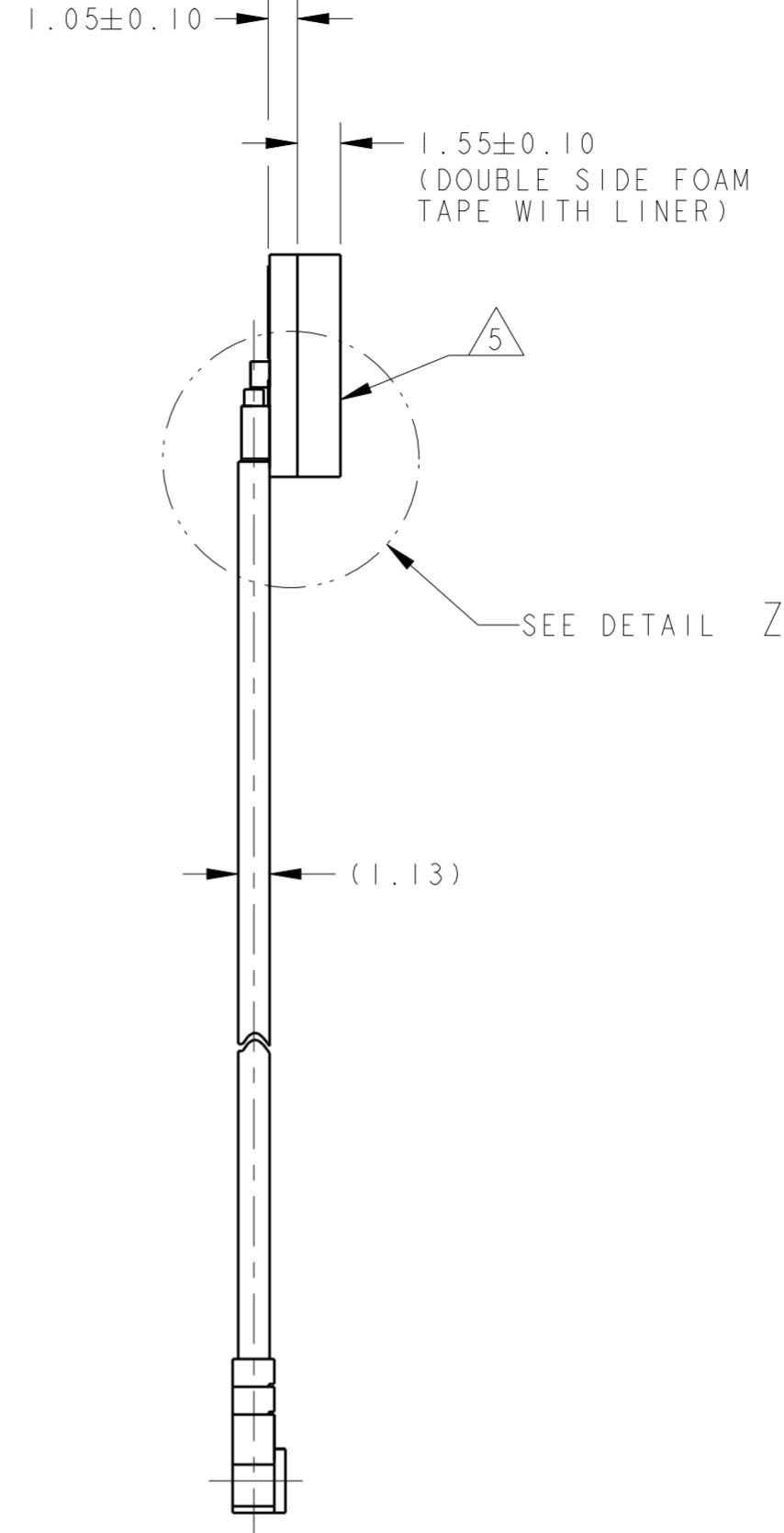
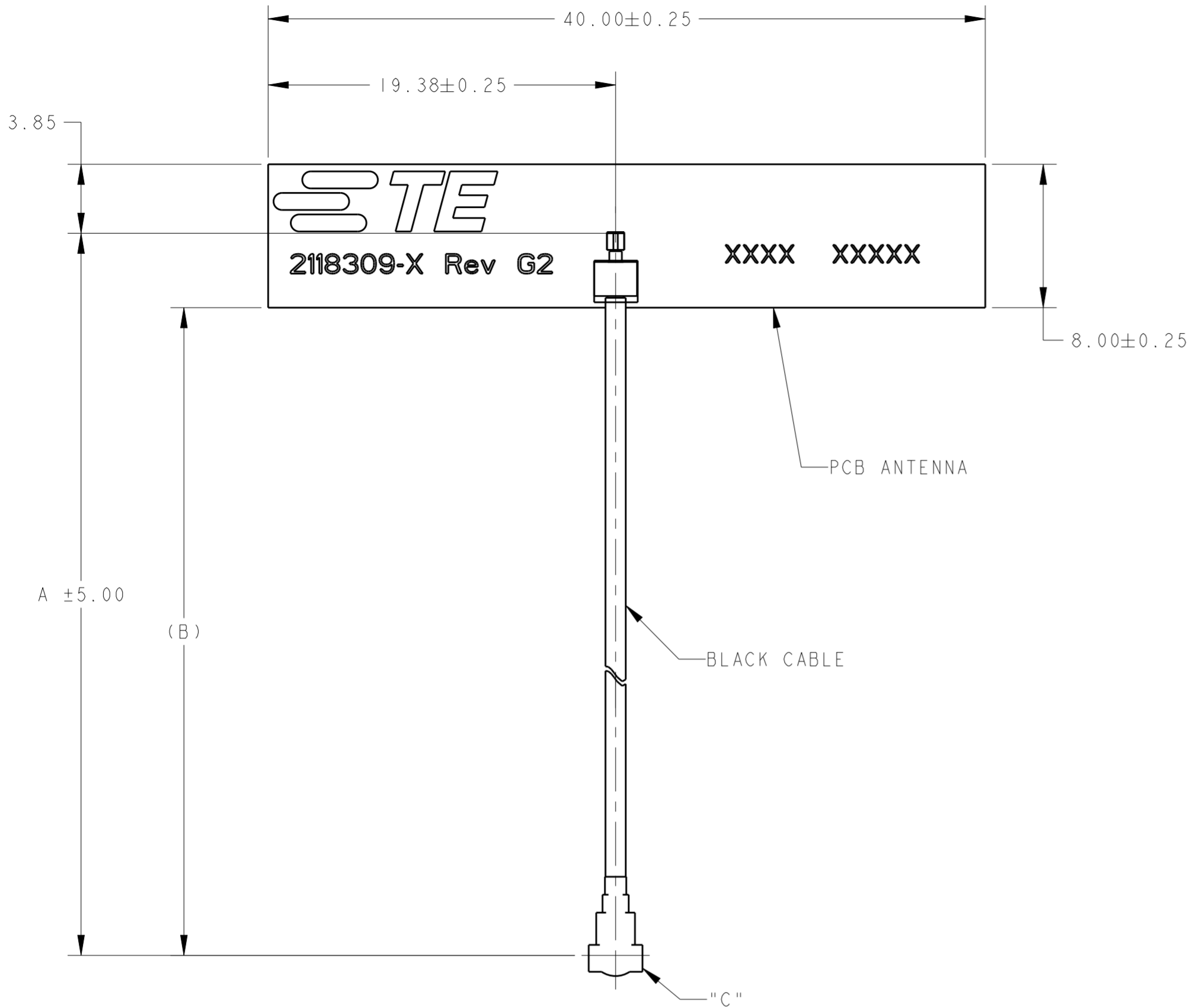


THIS DRAWING IS UNPUBLISHED. RELEASED FOR PUBLICATION 20
 © COPYRIGHT 20 BY TYCO ELECTRONICS CORPORATION ALL RIGHTS RESERVED.

LOC	DIST	REVISIONS			
P	LTR	DESCRIPTION	DATE	DWN	APVD
00	AJ				
	D1	UPDATE CONN TYPE WORDING -1,-2	21OCT2015	JPS	JLKM
	E	REVISED PER ECO-16-005878	13APR2016	JPS	JLM
	F	REVISED PER ECO-17-000307	11JAN2017	AP	JLM
	G2	REVISED PER ECO-19-003701	11MAR2019	SJ	JH



- ASSEMBLY IS RoHS COMPLIANT.
- MINIMUM IDENTIFICATION INCLUDES:
 TOP LAYER: TE LOGO, TE ASSEMBLY PART NUMBER, ASSEMBLY REVISION LETTER, AND FOUR DIGIT DATE CODE (FIRST 2 DIGITS FOR THE WEEK CODE AND THE 2ND TWO DIGITS FOR THE YEAR CODE).
- MATERIALS: PCB MATERIAL
 TOTAL THICKNESS: 1.05, SINGLE SIDE, 1/2 OUNCE COPPER.
- OVERPLATING: PLATING ON EXPOSED COPPER AREAS TO BE E.N.I.G. FINISH.
- REMOVE LINER FROM DOUBLE SIDED FOAM TAPE 3M VHB RP62 TO APPLY ANTENNA IN APPLICATION.
- PRODUCT PACKAGED IN A BAG.
- CONSULT TE CONNECTIVITY DATA SHEET DS2118309.

MHF	(60.00)	64.15	2118309-8
MHF 4	(370.85)	375.00	2118309-6
	(220.85)	225.00	2118309-5
	(115.85)	120.00	2118309-4
MHF	(45.85)	50.00	2118309-3
	(268.85)	273.00	2118309-2
	(115.85)	120.00	2118309-1
"C" CONNECTOR TYPE	(B)	A	PART NUMBER

THIS DRAWING IS A CONTROLLED DOCUMENT.

DIMENSIONS: mm	TOLERANCES UNLESS OTHERWISE SPECIFIED:	DWN K. FOLTZ 11MAR2013	TE Connectivity
		CHK G. GRIFFITH 11MAR2013	
		APVD G. GRIFFITH 11MAR2013	
		NAME	
MATERIAL		PRODUCT SPEC	WLAN DUAL BAND ANTENNA, 1.13 CABLE PCB GP INDEPENDENT
		APPLICATION SPEC	SIZE CAGE CODE DRAWING NO RESTRICTED TO
		WEIGHT	A200779 C-2118309
		CUSTOMER DRAWING	SCALE 4:1 SHEET 1 OF 1 REV G2

X-ON Electronics

Largest Supplier of Electrical and Electronic Components

Click to view similar products for [Antennas](#) category:

Click to view products by [TE CONNECTIVITY](#) manufacturer:

Other Similar products are found below :

[CCT FM1](#) [ABFT](#) [AD-NM-SMAF 001-0021](#) [CTC110](#) [MAF94149](#) [EXE902SF](#) [MMCX-SMA-100](#) [PDQ24496-91NF](#) [GAN30084EU](#) [930-033-R](#) [A08-HABUF-P5I](#) [AAF95035](#) [DG-ANT-20DP-BG-B](#) [APAMPGJ-141](#) [1513563-1](#) [OF86315-FNF](#) [OP24516DS-91NM](#) [A09-HASM-7](#) [EXE902MD](#) [EXE902SM](#) [SPDA17806/2170LAR](#) [APAMPG-117](#) [GPS1575SP26-004](#) [GPS15MGSMA](#) [CMD69273P-30NF](#) [CMQ69273-30NF](#) [RD2458-5-OTDR-NM](#) [RD2458-5-RSMA](#) [TRAB24/49003](#) [W4120ER5000](#) [W6102B0100](#) [YE572113-30RSMM](#) [108-00014-50](#) [SPDA17RP918](#) [OP24516SX-91NM](#) [OP24516SX-91RSMM](#) [CMQ69273P-30NF](#) [CMS69273-30NF](#) [CMS69273P-30NF](#) [TRAB24003N](#) [TRAB24003NP](#) [TRAB8213NP](#) [TRAB8903](#) [A09-Y8NF](#) [A09-Y11NF](#) [A09-HSM-7](#) [A09-F8NF-M](#) [A09-F5NF-M](#)