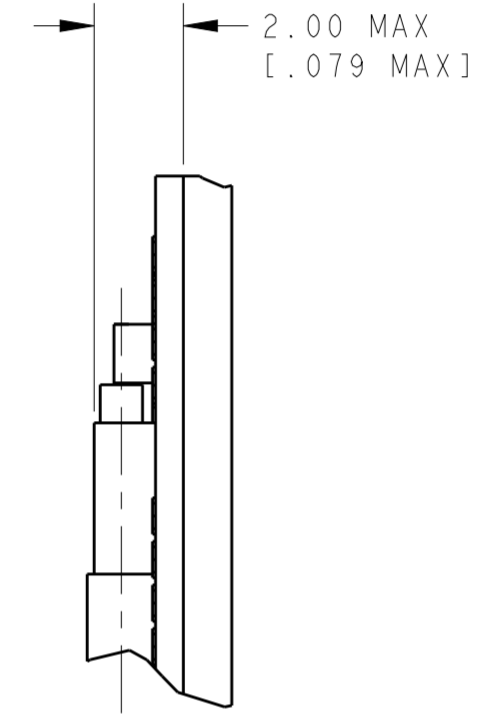
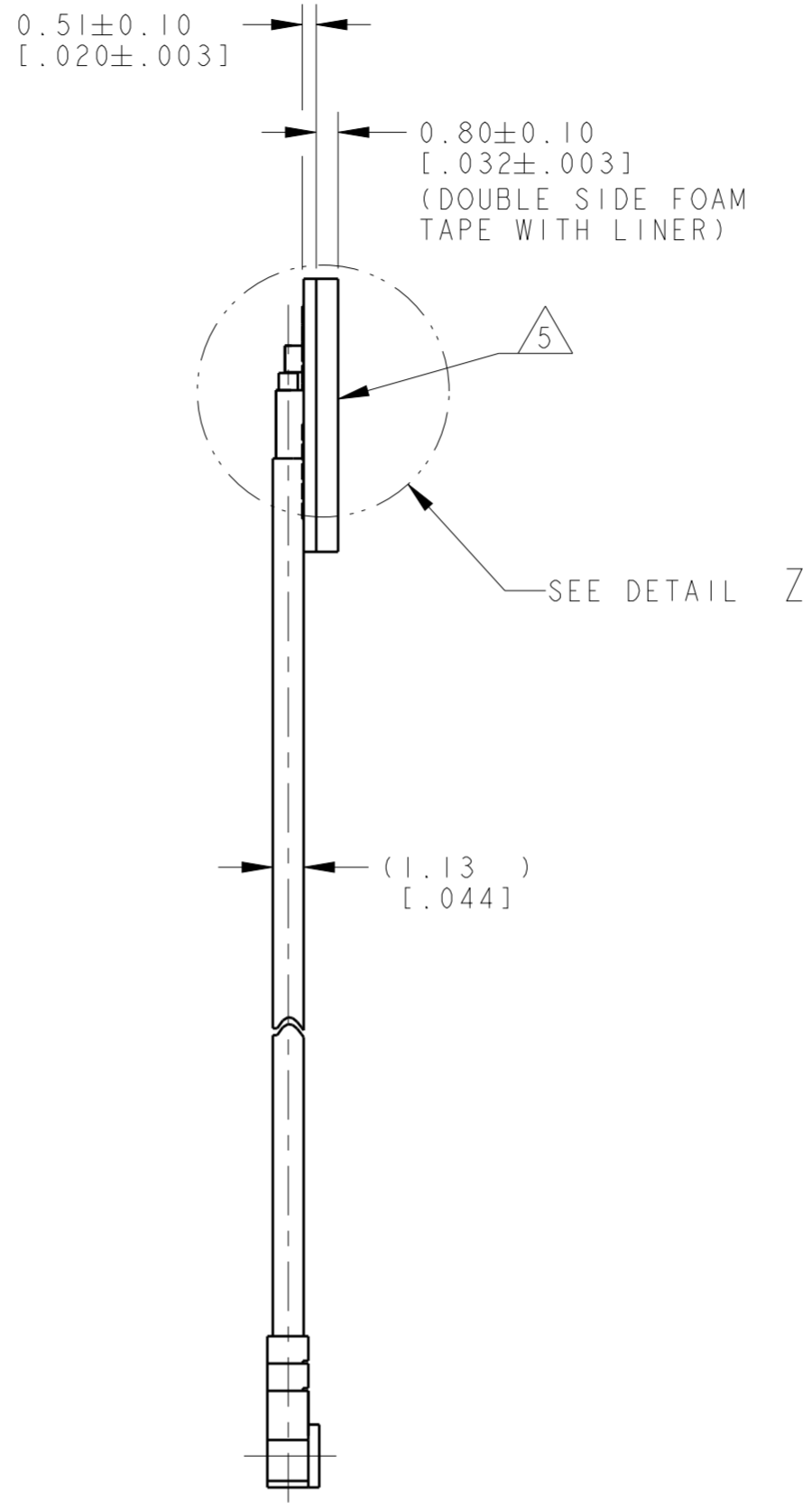
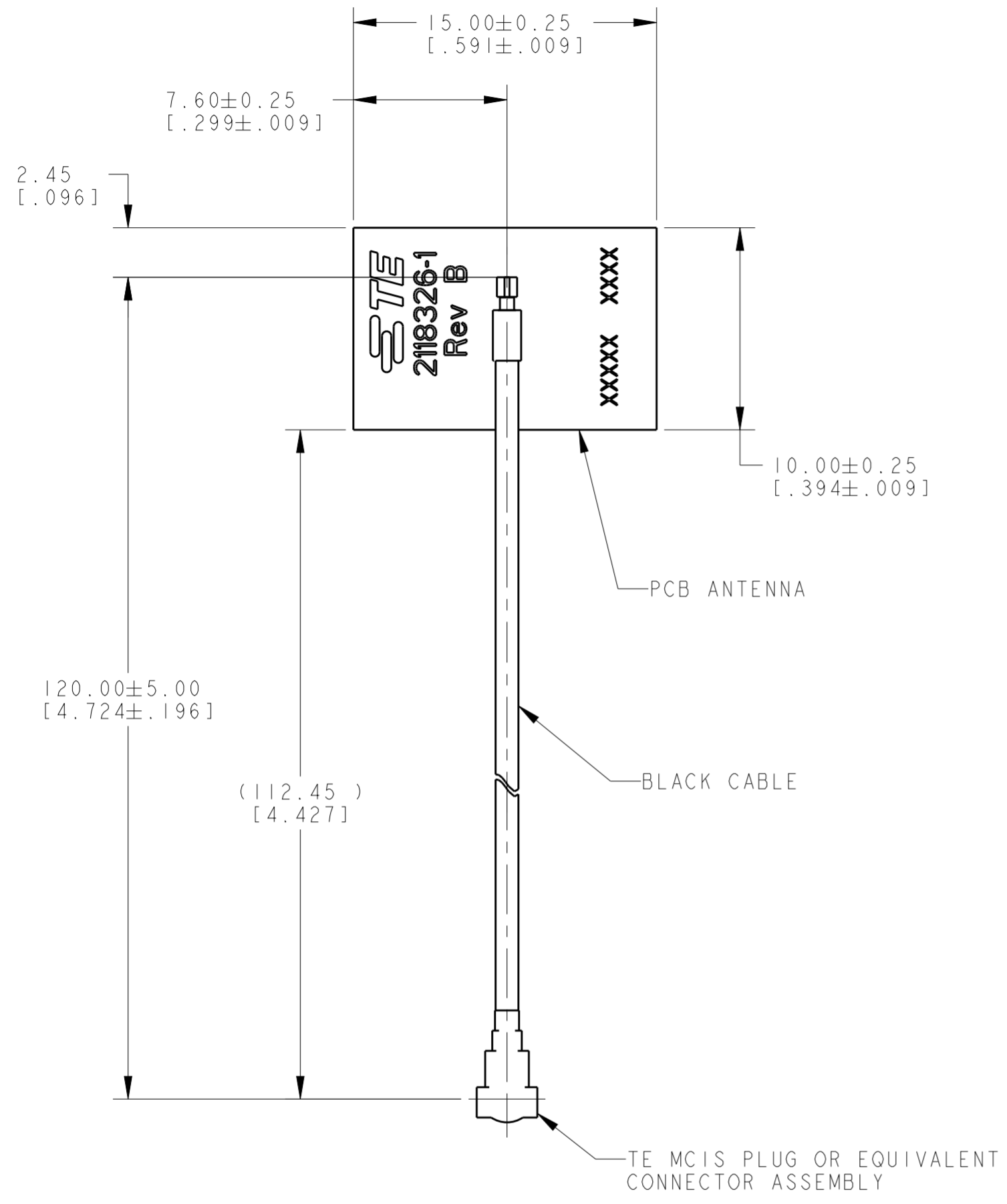


THIS DRAWING IS UNPUBLISHED. RELEASED FOR PUBLICATION 20
 © COPYRIGHT 20 BY TYCO ELECTRONICS CORPORATION ALL RIGHTS RESERVED.

LOC	DIST	REVISIONS					
		P	LTR	DESCRIPTION	DATE	DWN	APVD
AJ	00		A	RELEASED.	11DEC2013	KF	JPS
			AI	UPDATE CONNECTOR NOTE	15DEC2015	JPS	JLM
			B	REVISED PER ECO-17-005165	11APR2017	JPS	JLM



DETAIL Z
 SOLDERING DETAIL
 SCALE 8:1

2118326-1 SHOWN

1. PRODUCT AND PROCESSING MEETS REQUIREMENTS OF TE CONNECTIVITY ENVIRONMENTAL STANDARD TEC-138-702.
2. MINIMUM IDENTIFICATION INCLUDES:
 TOP LAYER: TE LOGO, TE ASSEMBLY PART NUMBER, ASSEMBLY REVISION LETTER, AND FOUR DIGIT DATE CODE (FIRST 2 DIGITS FOR THE WEEK CODE AND THE 2ND TWO DIGITS FOR THE YEAR CODE).
3. MATERIALS: PCB MATERIAL; HALOGEN FREE
 TOTAL THICKNESS: 0.51 [0.020], SINGLE SIDE, 1/2 OUNCE COPPER.
4. OVERPLATING: PLATING ON EXPOSED COPPER AREAS TO BE E.N.I.G. FINISH.
5. REMOVE LINER FROM DOUBLE SIDED FOAM TAPE 3M VHB RP32 TO APPLY ANTENNA IN APPLICATION.
6. CONSULT TE CONNECTIVITY DATA SHEET DS2118326.
7. PRODUCT PACKAGED IN A BAG.

2118326-1
 PART NUMBER

THIS DRAWING IS A CONTROLLED DOCUMENT.		DWN K. FOLTZ 07MAR2013	TE Connectivity															
DIMENSIONS: mm [INCHES]		CHK G. GRIFFITH 07MAR2013																
TOLERANCES UNLESS OTHERWISE SPECIFIED:		APVD G. GRIFFITH 07MAR2013	NAME SINGLE BAND, 5 GHz PIFA ANTENNA															
<table border="1"> <tr><td>0 PLC</td><td>±</td></tr> <tr><td>1 PLC</td><td>±</td></tr> <tr><td>2 PLC</td><td>±</td></tr> <tr><td>3 PLC</td><td>±</td></tr> <tr><td>4 PLC</td><td>±</td></tr> <tr><td>ANGLES</td><td>±</td></tr> <tr><td>FINISH</td><td>±</td></tr> </table>		0 PLC	±	1 PLC	±	2 PLC	±	3 PLC	±	4 PLC	±	ANGLES	±	FINISH	±	PRODUCT SPEC -	SIZE A2	CAGE CODE 00779
0 PLC	±																	
1 PLC	±																	
2 PLC	±																	
3 PLC	±																	
4 PLC	±																	
ANGLES	±																	
FINISH	±																	
MATERIAL -		APPLICATION SPEC -	DRAWING NO C-2118326	RESTRICTED TO -														
-		WEIGHT -	SCALE 4:1 SHEET 1 OF 1 REV B															
-		CUSTOMER DRAWING																

X-ON Electronics

Largest Supplier of Electrical and Electronic Components

Click to view similar products for [Antennas](#) category:

Click to view products by [TE Connectivity](#) manufacturer:

Other Similar products are found below :

[GAN30084EU](#) [930-033-R](#) [GW17.07.0250E](#) [1513563-1](#) [EXE902SM](#) [APAMPG-117](#) [MAF94383](#) [W3908B0100](#) [W6102B0100](#) [YE572113-30RSMM](#) [108-00014-50](#) [66089-2406](#) [SPDA17RP918](#) [A09-F8NF-M](#) [A09-F5NF-M](#) [RGFRA1903041A1T](#) [W3593B0100](#) [W3921B0100](#) [SIMNA-868](#) [SIMNA-915](#) [SIMNA-433](#) [W1044](#) [W1049B090](#) [A75-001](#) [WTL2449CQ1-FRSMM](#) [CPL9C](#) [EXB148BN](#) [0600-00060](#) [TRA9020S3PBN-001](#) [Y4503](#) [GD5W-28P-NF](#) [MA9-7N](#) [GD53-25](#) [GD5W-21P-NF](#) [C37](#) [MAF94051](#) [MA9-5N](#) [EXD420PL](#) [B1322NR](#) [QWFTB120](#) [MAF94271](#) [MAF94300](#) [GPSMB301](#) [FG4403](#) [AO-AGSM-OM54](#) [5200232](#) [MIKROE-2349](#) [WCM.01.0111](#) [MIKROE-2393](#) [MIKROE-2352](#)