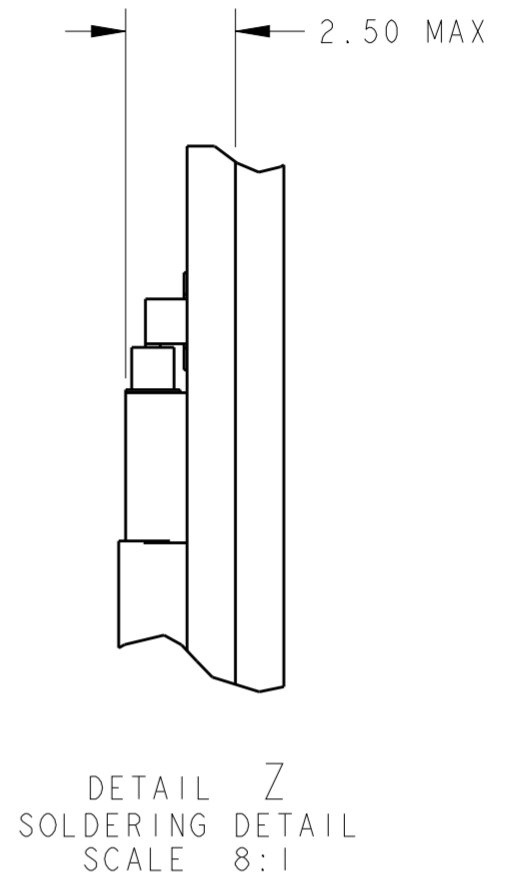
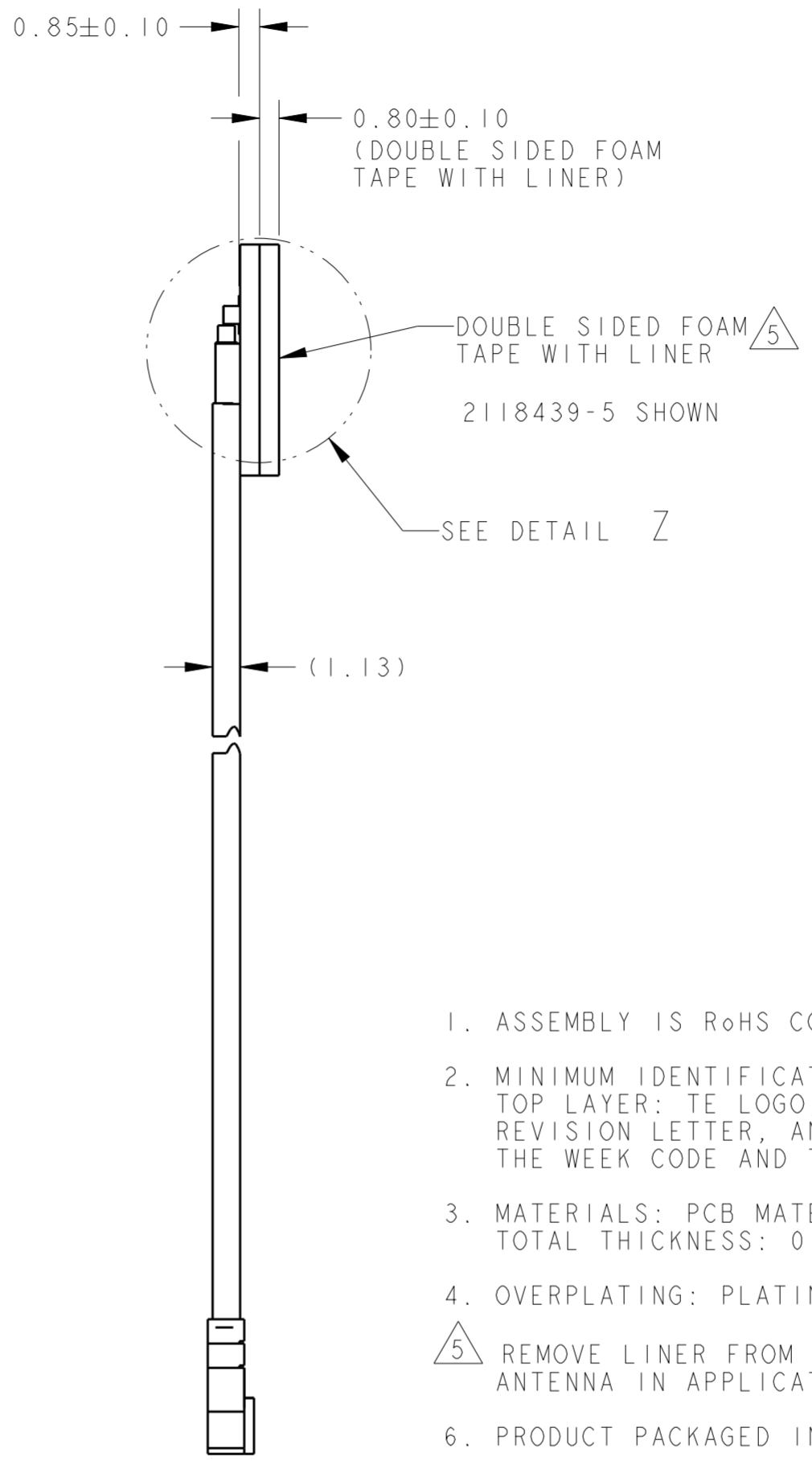
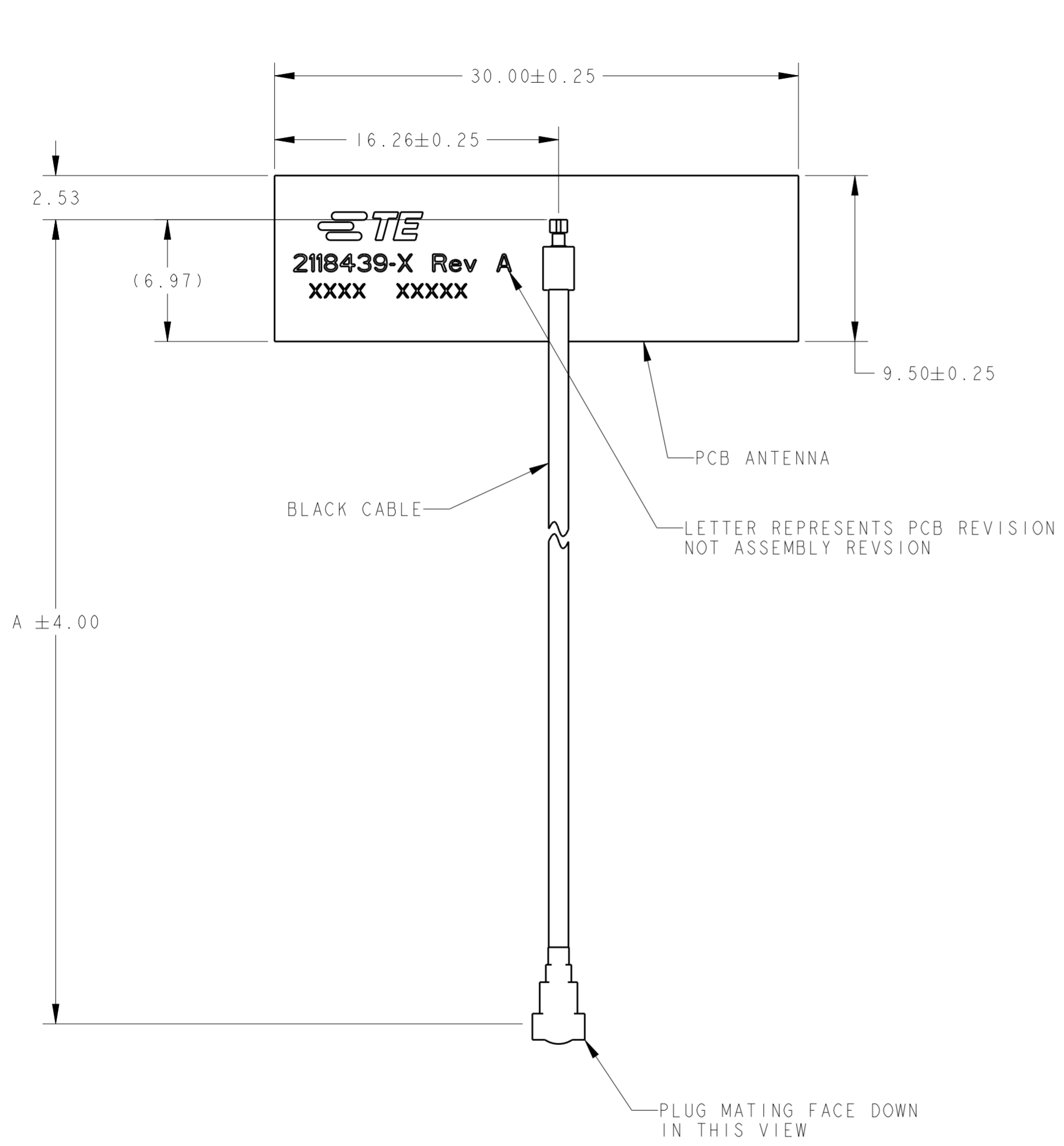


THIS DRAWING IS UNPUBLISHED. RELEASED FOR PUBLICATION 20
 © COPYRIGHT 20 BY TYCO ELECTRONICS CORPORATION ALL RIGHTS RESERVED.

LOC	DIST	REVISIONS			
P	LTR	DESCRIPTION	DATE	DWN	APVD
00	AJ	A	RELEASED.	16SEP2014	KF PG
		AI	UPDATE CONNECTOR NOTE	15DEC2015	JPS JLM
		B	REVISED PER ECO-16-018604	28DEC2016	AP JM
		CI	REMOVE MCIS NOTE, ADD COAX INFO IN BOM	07MAR2017	JPS JLM



- ASSEMBLY IS RoHS COMPLIANT.
- MINIMUM IDENTIFICATION INCLUDES:
 TOP LAYER: TE LOGO, TE ASSEMBLY BASE PART NUMBER, ASSEMBLY REVISION LETTER, AND FOUR DIGIT DATE CODE (FIRST 2 DIGITS FOR THE WEEK CODE AND THE 2ND TWO DIGITS FOR THE YEAR CODE).
- MATERIALS: PCB MATERIAL
 TOTAL THICKNESS: 0.85 SINGLE SIDE, 1/2 OUNCE COPPER.
- OVERPLATING: PLATING ON EXPOSED COPPER AREAS TO BE E.N.I.G. FINISH.
- REMOVE LINER FROM DOUBLE SIDED FOAM TAPE 3M VHB 5608 TO APPLY ANTENNA IN APPLICATION.
- PRODUCT PACKAGED IN A BAG.

I-PEX	200.00	N	2118439-7
ECT	100.00	N	2118439-6
ECT	150.00	Y ⁵	2118439-5
ECT	300.00	N	2118439-4
ECT	160.00	N	2118439-3
ECT	310.00	N	2118439-2
ECT	250.00	N	2118439-1
COAX MFG	A	DOUBLE SIDED FOAM TAPE APPLIES	PART NUMBER

CONFIDENTIAL

THIS INFORMATION IS CONFIDENTIAL AND IS DISCLOSED TO YOU ON CONDITION THAT NO FURTHER DISCLOSURE IS MADE BY YOU TO OTHER THAN TYCO ELECTRONICS PERSONNEL WITHOUT WRITTEN AUTHORIZATION FROM TYCO ELECTRONICS, HARRISBURG, PA.

THIS DRAWING IS A CONTROLLED DOCUMENT.		DWN K. FOLTZ 18MAR2014	TE Connectivity	
DIMENSIONS: mm		CHK J. MOORE 18MAR2014		
TOLERANCES UNLESS OTHERWISE SPECIFIED:		APVD J. MOORE 18MAR2014	NAME PCB ANTENNA ASSEMBLY, WITH MHF CONNECTOR	
0 PLC ±		PRODUCT SPEC	SIZE CAGE CODE DRAWING NO RESTRICTED TO	
1 PLC ±		APPLICATION SPEC	A200779 C-2118439	
2 PLC ±		WEIGHT	SCALE 4:1 SHEET 1 OF 1 REV C1	
3 PLC ±		CUSTOMER DRAWING		
4 PLC ±				
ANGLES ±				
FINISH ±				
SEE NOTES				
SEE NOTES				

X-ON Electronics

Largest Supplier of Electrical and Electronic Components

Click to view similar products for [Antennas](#) category:

Click to view products by [TE Connectivity](#) manufacturer:

Other Similar products are found below :

[GAN30084EU](#) [930-033-R](#) [GW17.07.0250E](#) [1513563-1](#) [EXE902SM](#) [APAMPG-117](#) [MAF94383](#) [W3908B0100](#) [W6102B0100](#) [YE572113-30RSMM](#) [108-00014-50](#) [66089-2406](#) [SPDA17RP918](#) [A09-F8NF-M](#) [A09-F5NF-M](#) [RGFRA1903041A1T](#) [W3525BW100](#) [W3593B0100](#) [W3921B0100](#) [SIMNA-868](#) [SIMNA-915](#) [SIMNA-433](#) [W1044](#) [W1049B090](#) [A75-001](#) [WTL2449CQ1-FRSMM](#) [CPL9C](#) [EXB148BN](#) [0600-00060](#) [TRA9020S3PBN-001](#) [Y4503](#) [GD5W-28P-NF](#) [MA9-7N](#) [GD53-25](#) [GD5W-21P-NF](#) [C37](#) [MAF94051](#) [MA9-5N](#) [EXD420PL](#) [B1322NR](#) [QWFTB120](#) [MAF94271](#) [MAF94300](#) [GPSMB301](#) [FG4403](#) [AO-AGSM-OM54](#) [5200232](#) [MIKROE-2349](#) [WCM.01.0111](#) [MIKROE-2393](#)