

THIS DRAWING IS UNPUBLISHED.

RELEASED FOR PUBLICATION

20

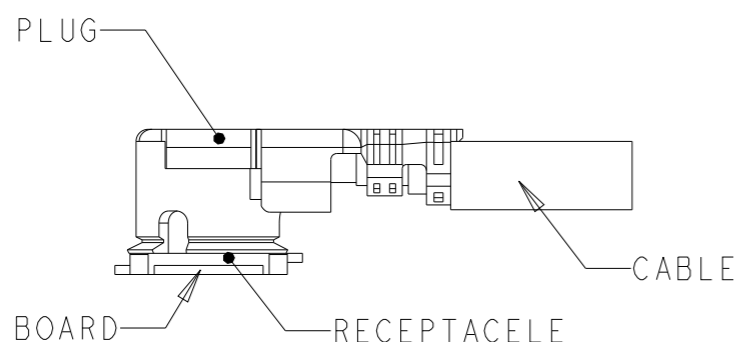
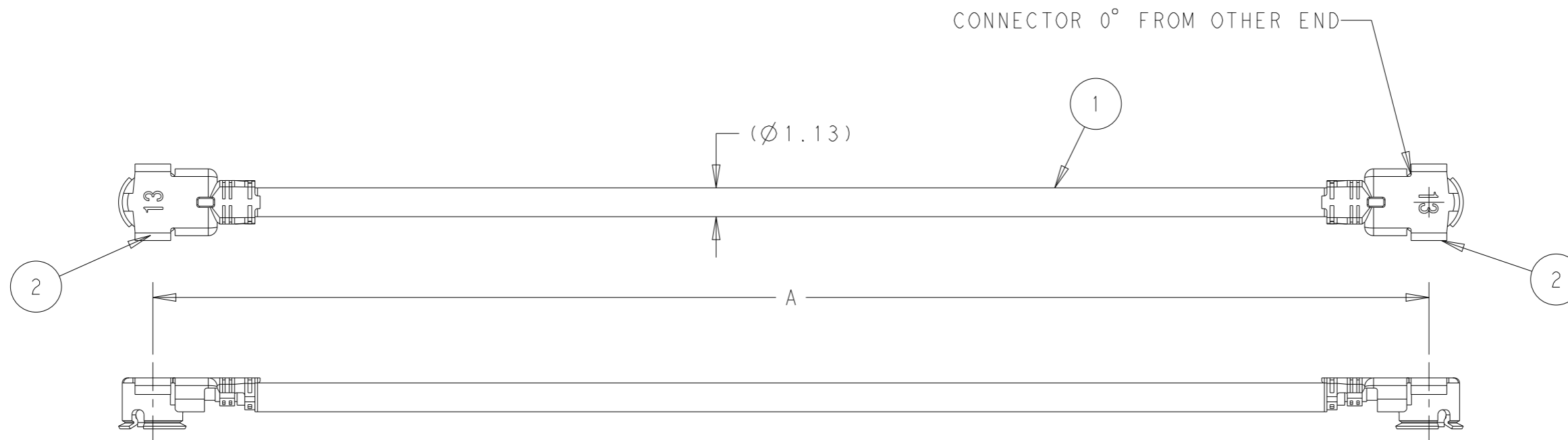
© COPYRIGHT 20 BY -

ALL RIGHTS RESERVED.


REVISIONS

| P | LTR | DESCRIPTION            | DATE      | DWN | APVD |
|---|-----|------------------------|-----------|-----|------|
|   | C   | -8 Length Changed      | 09OCT2017 | CR  | JLM  |
|   | C1  | ECR-20-003193          | 04MAR2020 | JL  | RS   |
|   | C2  | ECR-20-010112          | 28JUN2020 | CL  | SZ   |
|   | C3  | ECR-21-103575 (NEW PN) | 18MAY2021 | JZ  | WKH  |

- PARTS AND PROCESSES RoHS COMPLIANT PER TE CONNECTIVITY STANDARD TEC-138-702.
- 100% OPEN AND SHORT MISWIRE TEST.



|       |                              |                 |             |             |
|-------|------------------------------|-----------------|-------------|-------------|
| 150±3 | IPX-20278-112R OR EQUIVALENT | BLACK           | 1.13 MM     | 1-2118651-3 |
| 80±2  | IPX-20278-112R OR EQUIVALENT | BLACK           | 1.13 MM     | 1-2118651-2 |
| 509±5 | IPX-20278-112R OR EQUIVALENT | BLACK           | 1.13 MM     | 1-2118651-1 |
| 60±2  | IPX-20278-112R OR EQUIVALENT | BLACK           | 1.13 MM     | 1-2118651-0 |
| 250±5 | IPX-20278-112R OR EQUIVALENT | BLACK           | 1.13 MM     | 2118651-9   |
| 200±3 | IPX-20278-112R OR EQUIVALENT | BLACK           | 1.13 MM     | 2118651-8   |
| 90±2  | IPX-20278-112R OR EQUIVALENT | BLACK           | 1.13 MM     | 2118651-7   |
| 90±2  | IPX-20278-112R OR EQUIVALENT | GRAY            | 1.13 MM     | 2118651-6   |
| 70±2  | IPX-20278-112R OR EQUIVALENT | BLACK           | 1.13 MM     | 2118651-5   |
| 40±2  | IPX-20278-112R OR EQUIVALENT | BLACK           | 1.13 MM     | 2118651-4   |
| 75±2  | IPX-20278-112R OR EQUIVALENT | BLACK           | 1.13 MM     | 2118651-3   |
| 30±2  | IPX-20278-112R OR EQUIVALENT | BLACK           | 1.13 MM     | 2118651-2   |
| 140±3 | IPX-20278-112R OR EQUIVALENT | BLACK           | 1.13 MM     | 2118651-1   |
| A     | CONNECTOR (2)                | COLOR-CABLE (1) | PART NUMBER |             |

|  |    |                               |   |                 |    |       |    |       |    |       |    |        |    |                   |                 |  |
|--|----|-------------------------------|---|-----------------|----|-------|----|-------|----|-------|----|--------|----|-------------------|-----------------|--|
| THIS DRAWING IS A CONTROLLED DOCUMENT.   |    | DWN<br>J. SCHOLZ<br>01APR2016 |  TE Connectivity |                 |    |       |    |       |    |       |    |        |    |                   |                 |  |
| DIMENSIONS:<br>mm  |    | CHK<br>J. SCHOLZ<br>01APR2016 |   |                 |    |       |    |       |    |       |    |        |    |                   |                 |  |
| TOLERANCES UNLESS OTHERWISE SPECIFIED:   |    | APVD<br>J. MOORE<br>01APR2016 | NAME<br>CABLE ASSEMBLY, COAX 1.13 MM<br>DOUBLE ENDED, I-PEX PLUG<br>20278-112R-13                     |                 |    |       |    |       |    |       |    |        |    |                   |                 |  |
| <table border="0"> <tr><td>0 PLC</td><td>±-</td></tr> <tr><td>1 PLC</td><td>±-</td></tr> <tr><td>2 PLC</td><td>±-</td></tr> <tr><td>3 PLC</td><td>±-</td></tr> <tr><td>4 PLC</td><td>±-</td></tr> <tr><td>ANGLES</td><td>±-</td></tr> </table> |    | 0 PLC                         | ±-  | 1 PLC           | ±- | 2 PLC | ±- | 3 PLC | ±- | 4 PLC | ±- | ANGLES | ±- | PRODUCT SPEC<br>- | SIZE<br>A300779 |  |
| 0 PLC  | ±- |                               |   |                 |    |       |    |       |    |       |    |        |    |                   |                 |  |
| 1 PLC  | ±- |                               |   |                 |    |       |    |       |    |       |    |        |    |                   |                 |  |
| 2 PLC  | ±- |                               |   |                 |    |       |    |       |    |       |    |        |    |                   |                 |  |
| 3 PLC  | ±- |                               |   |                 |    |       |    |       |    |       |    |        |    |                   |                 |  |
| 4 PLC  | ±- |                               |   |                 |    |       |    |       |    |       |    |        |    |                   |                 |  |
| ANGLES   | ±- |                               |   |                 |    |       |    |       |    |       |    |        |    |                   |                 |  |
| MATERIAL<br>-  |    | APPLICATION SPEC<br>-         | DRAWING NO<br>C-2118651   |                 |    |       |    |       |    |       |    |        |    |                   |                 |  |
| FINISH<br>-  |    | WEIGHT<br>-                   | RESTRICTED TO<br>-  |                 |    |       |    |       |    |       |    |        |    |                   |                 |  |
|  |    | CUSTOMER DRAWING              | SCALE<br>8:1  | SHEET<br>1 OF 1 |    |       |    |       |    |       |    |        |    |                   |                 |  |
|  |    |                               | REV<br>C3   |                 |    |       |    |       |    |       |    |        |    |                   |                 |  |

## X-ON Electronics

Largest Supplier of Electrical and Electronic Components

*Click to view similar products for [RF Cable Assemblies](#) category:*

*Click to view products by [TE Connectivity](#) manufacturer:*

Other Similar products are found below :

[73-6352-10](#) [73-6353-3](#) [73-6364-6](#) [R285001001](#) [R288940004](#) [145111-05-12.00](#) [1661-C-24](#) [1801171170914KE](#) [24P104C24J1-012](#)  
[24P104C24P1-006](#) [24P104C24P1-018](#) [24P204C24J1-003](#) [172-2150-EX](#) [1800920920914PJ](#) [FCB-3030-ALT](#) [21117-046](#) [21117-050](#) [PCX-24-](#)  
[50](#) [24P103C24P2-003](#) [25P203C25P2-003](#) [R284008001](#) [R285001021](#) [R285426000](#) [R288940003](#) [4814-BB-24](#) [5260-72](#) [JT2N1-CL1-1F](#) [DLP-](#)  
[COAX1](#) [4814-K-48](#) [115101-09-06.00](#) [MXHT83QE3000](#) [CCNTN2-MM-LL335-26](#) [73-6351-25](#) [73-6352-3](#) [73-6353-25](#) [1800920920610PJ](#)  
[GD0BQ0BQ024.0](#) [1-3636-600-5210](#) [TL8A-11SMA-11SMA-01500-51](#) [R284C0351060](#) [R288940009](#) [R284C0351028](#) [R288940002](#) [9702-](#)  
[1SL-1](#) [PT82NSMA](#) [73-6353-10](#) [R285020301W](#) [PCX-18-50](#) [Minibend-9](#) [Minibend-4](#)