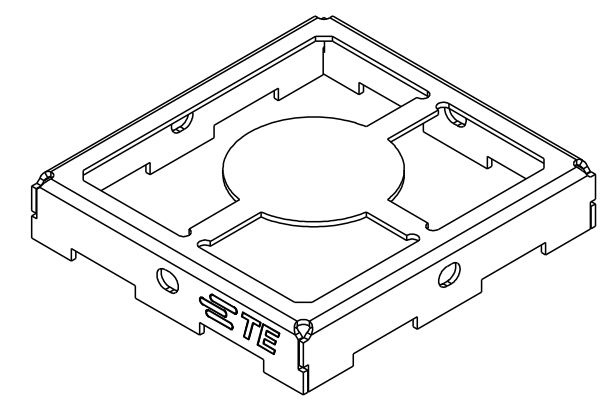
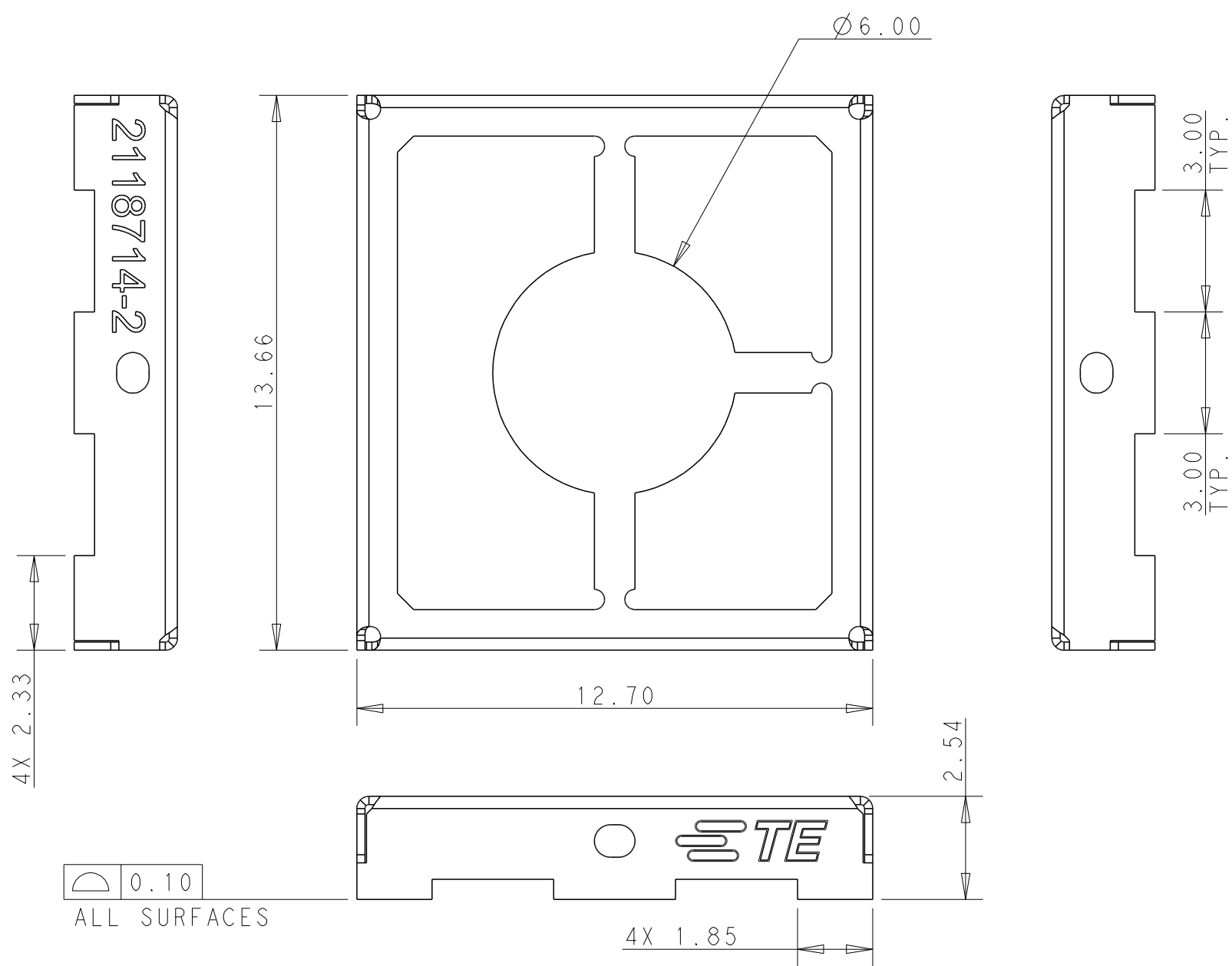


THIS DRAWING IS UNPUBLISHED. RELEASED FOR PUBLICATION 20  
 © COPYRIGHT 20 BY - ALL RIGHTS RESERVED.

REVISIONS					
P	LTR	DESCRIPTION	DATE	DWN	APVD
1		INITIAL CONCEPT	07APR2016	VL	
A		DRAWING RELEASED	20APR2017	VL	SS
A1		REVISED PER ECO-17-007644	26MAY2017	VL	SS
A2		REVISED PER ECO-17-013857	20SEP2017	SS	HL



SCALE 4:1

NOTES:

- 1 MATERIAL: 0.20mm CRS. 1,25 - 3.00µm MATTE TIN FINISH.
- 2 STAMPING BURR OUTSIDE OF PART, MAX 0.05mm.
- 3 PARTS TO BE FREE OF OIL AND CONTAMINENTS.
- 4 PART IS RoHS COMPLIANT PER TE CONNECTIVITY STANDARD TEC-138-702.
- 5 REFER TO 3D MODEL FOR UNSPECIFIED DIMENSIONS.
- 6 PACKAGING: TAPE AND REEL

6	2118714-2
PACKAGING	PART NUMBER

THIS DRAWING IS A CONTROLLED DOCUMENT.		DWN V. LAC 06APR2016	<b>STE</b> TE Connectivity			
DIMENSIONS: mm		CHK S. SU 20APR2017				
TOLERANCES UNLESS OTHERWISE SPECIFIED:		APVD V. LAC 20APR2017	NAME STANDARD SHIELD FRAME			
0 PLC ±0.20		PRODUCT SPEC 108-19493				
1 PLC ±0.15		APPLICATION SPEC 114-115014	SIZE A3	CAGE CODE -	DRAWING NO. C-2118714	RESTRICTED TO -
2 PLC ±0.10		WEIGHT -	CUSTOMER DRAWING			
3 PLC ±		SCALE 7:1 SHEET 1 OF 3 REV A2				
4 PLC ±						
ANGLES ±						
FINISH 1						

THIS DRAWING IS UNPUBLISHED.

RELEASED FOR PUBLICATION

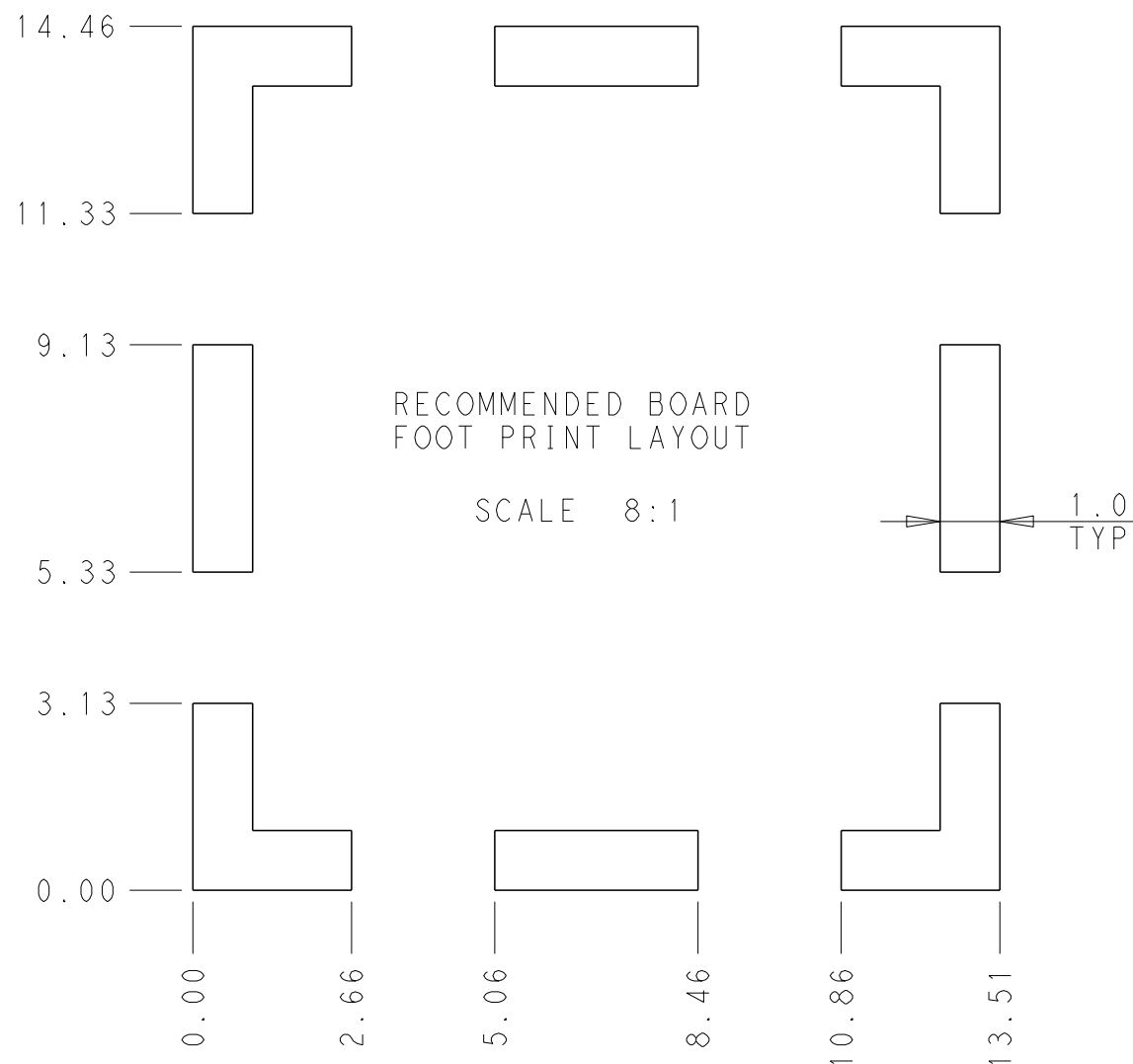
20

© COPYRIGHT 20 BY -

ALL RIGHTS RESERVED.

REVISIONS

P	LTR	DESCRIPTION	DATE	DWN	APVD
-	-	SEE SHEET 1	-	-	-

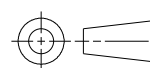


NOTES:

7. STENCIL THICKNESS: 0.10mm MIN.

THIS DRAWING IS A CONTROLLED DOCUMENT.

DIMENSIONS:  
mm



TOLERANCES UNLESS OTHERWISE SPECIFIED:

- 0 PLC ±0.20
- 1 PLC ±0.15
- 2 PLC ±0.10
- 3 PLC ±
- 4 PLC ±
- ANGLES ±2

MATERIAL

FINISH

DWN V. LAC 06APR2016

CHK S. SU 20APR2017

APVD V. LAC 20APR2017

PRODUCT SPEC 108-19493

APPLICATION SPEC 114-115014

WEIGHT -

CUSTOMER DRAWING



TE Connectivity

NAME STANDARD SHIELD FRAME

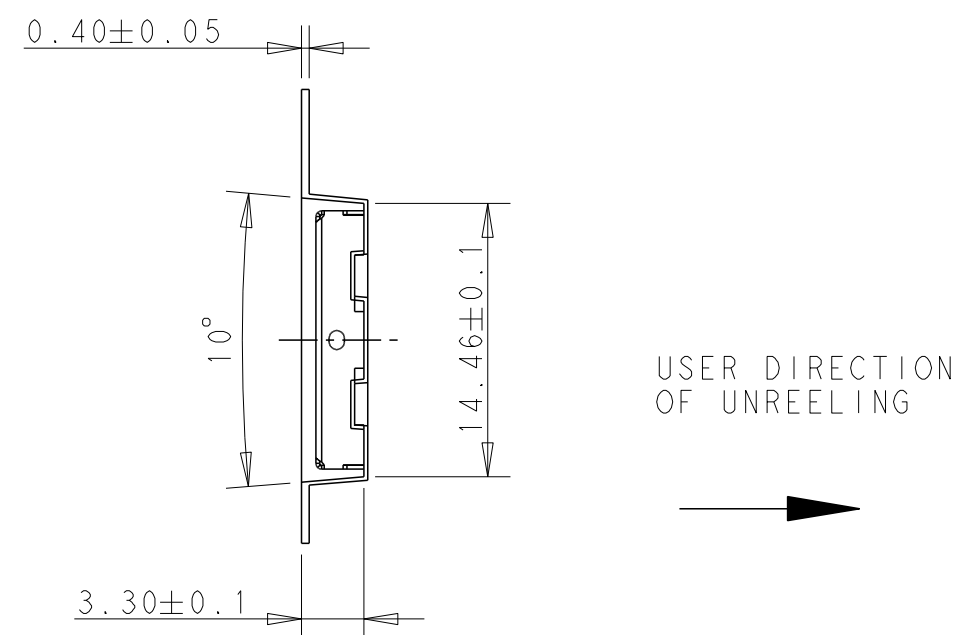
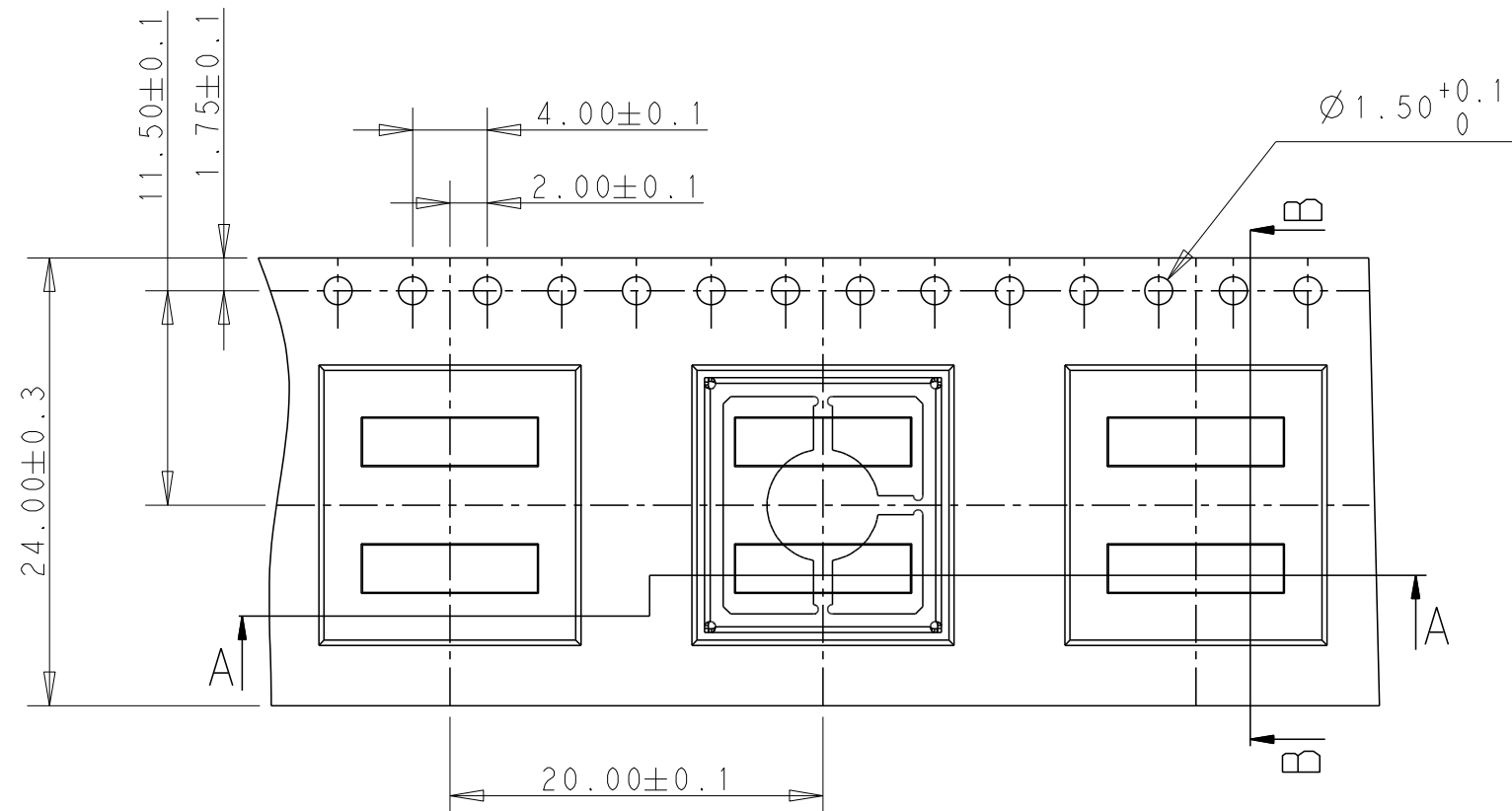
SIZE CAGE CODE DRAWING NO RESTRICTED TO

A3 - C-2118714 -

SCALE 6:1 SHEET 2 OF 3 REV A2

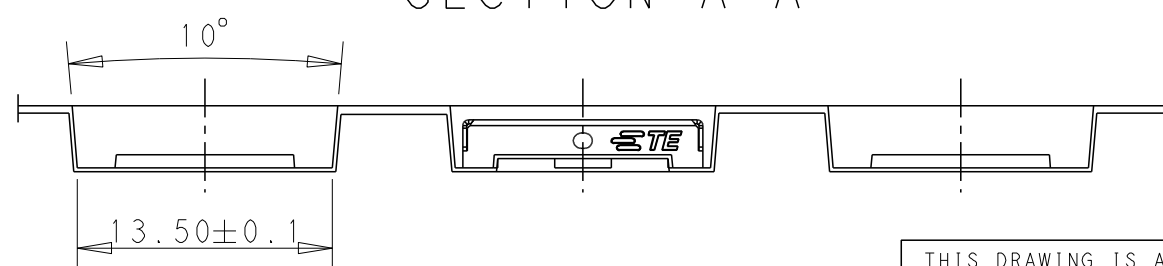
REVISIONS

P	LTR	DESCRIPTION	DATE	DWN	APVD
-	-	SEE SHEET 1	-	-	-



SECTION B-B

SECTION A-A



NOTES:

- 8. REEL SIZE: O.D. 330mm, I.D. 100mm
- 9. QTY PER REEL: 900PCS

THIS DRAWING IS A CONTROLLED DOCUMENT.

DIMENSIONS: mm	
MATERIAL -	

TOLERANCES UNLESS OTHERWISE SPECIFIED:	
0 PLC	$\pm 0.20$
1 PLC	$\pm 0.15$
2 PLC	$\pm 0.10$
3 PLC	$\pm$
4 PLC	$\pm$
ANGLES	$\pm 2$
FINISH -	

DWN	V. LAC	06APR2016
CHK	S. SU	20APR2017
APVD	V. LAC	20APR2017
PRODUCT SPEC	108-19493	
APPLICATION SPEC	114-115014	
WEIGHT	-	
CUSTOMER DRAWING		

		TE Connectivity	
		NAME STANDARD SHIELD FRAME	
SIZE A3	CAGE CODE -	DRAWING NO C-2118714	RESTRICTED TO -
SCALE 7:1		SHEET 3 OF 3	REV A2

## X-ON Electronics

Largest Supplier of Electrical and Electronic Components

*Click to view similar products for [EMI Gaskets, Sheets, Absorbers & Shielding](#) category:*

*Click to view products by [TE Connectivity](#) manufacturer:*

Other Similar products are found below :

[8101010140](#) [8563-0090-89](#) [1194-7.7X10](#) [1245-34"X18YD](#) [1267](#) [1345-3/8x18yrd](#) [1554907-1](#) [2320002000](#) [2320014700](#) [SG293037DS](#)  
[ST005PCN50](#) [55005107](#) [38M4040AA0606](#) [46J5N02020.NN00](#) [1125-8X10](#) [1126X1"](#) [1170-3/4X18YDS](#) [1170-7.7x10](#) [1183-12"X18YD](#) [6-](#)  
[34T-BD-0.315](#) [SG125187D-24](#) [SG125250R-24](#) [SG187375R-24](#) [SG284050DS](#) [8402010540](#) [KIT TECH CLIP](#) [1194](#) [10-40450-28S](#) [1245](#)  
[1267-1/2"x18yd](#) [46J8501020.NN00](#) [1170-1/4"x18yd](#) [AL-36FR-1x54.5](#) [3013310A](#) [1194X1"](#) [3020604](#) [3021302](#) [3031313](#) [260709](#) [3021310](#) [6-](#)  
[34UT-070-BD-16](#) [303076048](#) [46J5N03020.NN00](#) [30206025](#) [30395641](#) [3030403](#) [3690103020](#) [HNY-LT15CU4241](#) [46X7503020.NN00](#)  
[46W5E02520.NN00](#)