

4

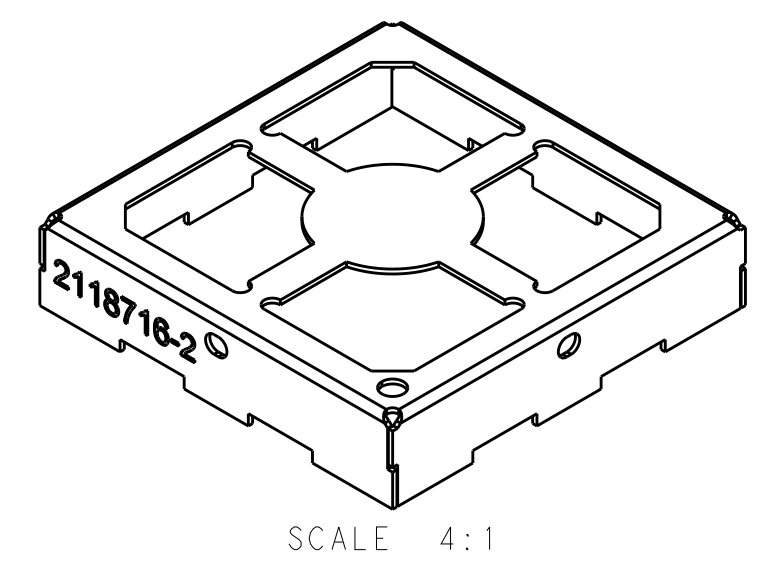
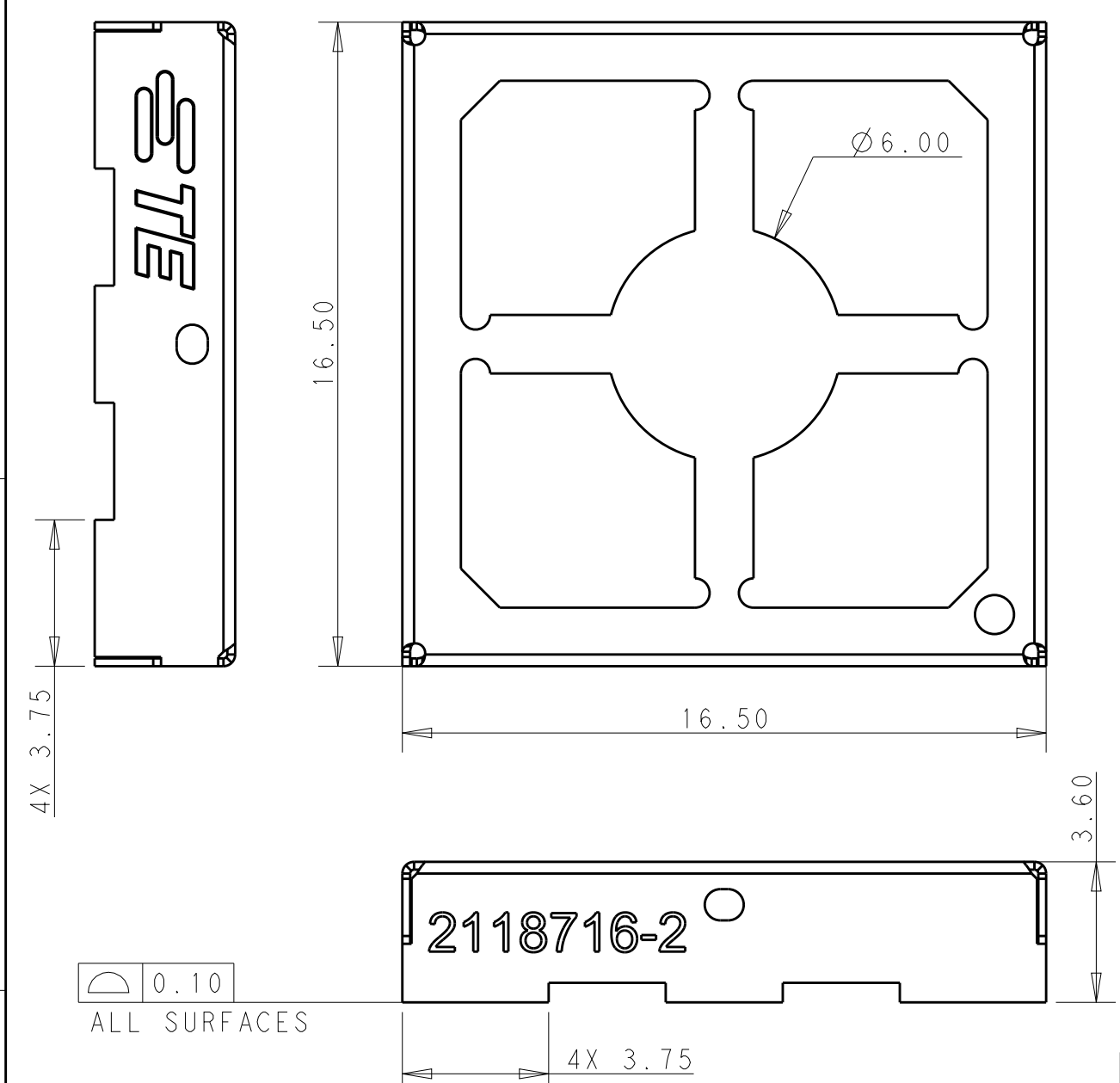
3

2

1

THIS DRAWING IS UNPUBLISHED. RELEASED FOR PUBLICATION 20  
 © COPYRIGHT 20 BY - ALL RIGHTS RESERVED.

REVISIONS					
P	LTR	DESCRIPTION	DATE	DWN	APVD
2		ADD HOLE IN CORNER	01SEP2016	VL	SS
A		DRAWING RELEASED	21APR2017	VL	SS
A1		REVISED PER ECO-17-007644	26MAY2017	VL	SS
A3		REVISED PER ECO-17-013857	20SEP2017	SS	HL



NOTES:

- 1 MATERIAL: 0.20mm CRS. 1,25 - 3.00 $\mu$ m MATTE TIN FINISH.
- 2 STAMPING BURR OUTSIDE OF PART, MAX 0.05mm.
- 3 PARTS TO BE FREE OF OIL AND CONTAMINENTS.
- 4 PART IS RoHS COMPLIANT PER TE CONNECTIVITY STANDARD TEC-138-702.
- 5 REFER TO 3D MODEL FOR UNSPECIFIED DIMENSIONS.
- 6 PACKAGING: TAPE AND REEL

6	2118716-2
PACKAGING	PART NUMBER

THIS DRAWING IS A CONTROLLED DOCUMENT.		DWN V. LAC 06APR2016	TE Connectivity	
DIMENSIONS: mm		CHK S. SU 21APR2017		
TOLERANCES UNLESS OTHERWISE SPECIFIED:		APVD V. LAC 21APR2017	NAME STANDARD SHIELD FRAME	
0 PLC $\pm 0.20$		PRODUCT SPEC 108-19493	SIZE A3	
1 PLC $\pm 0.15$		APPLICATION SPEC 114-115014	CAGE CODE -	DRAWING NO C-2118716
2 PLC $\pm 0.10$		WEIGHT -	RESTRICTED TO -	
3 PLC $\pm$		CUSTOMER DRAWING	SCALE 6:1	SHEET 1 OF 3
4 PLC $\pm$				REV A3
ANGLES $\pm 2$				
MATERIAL 1	FINISH 1			

THIS DRAWING IS UNPUBLISHED.

RELEASED FOR PUBLICATION

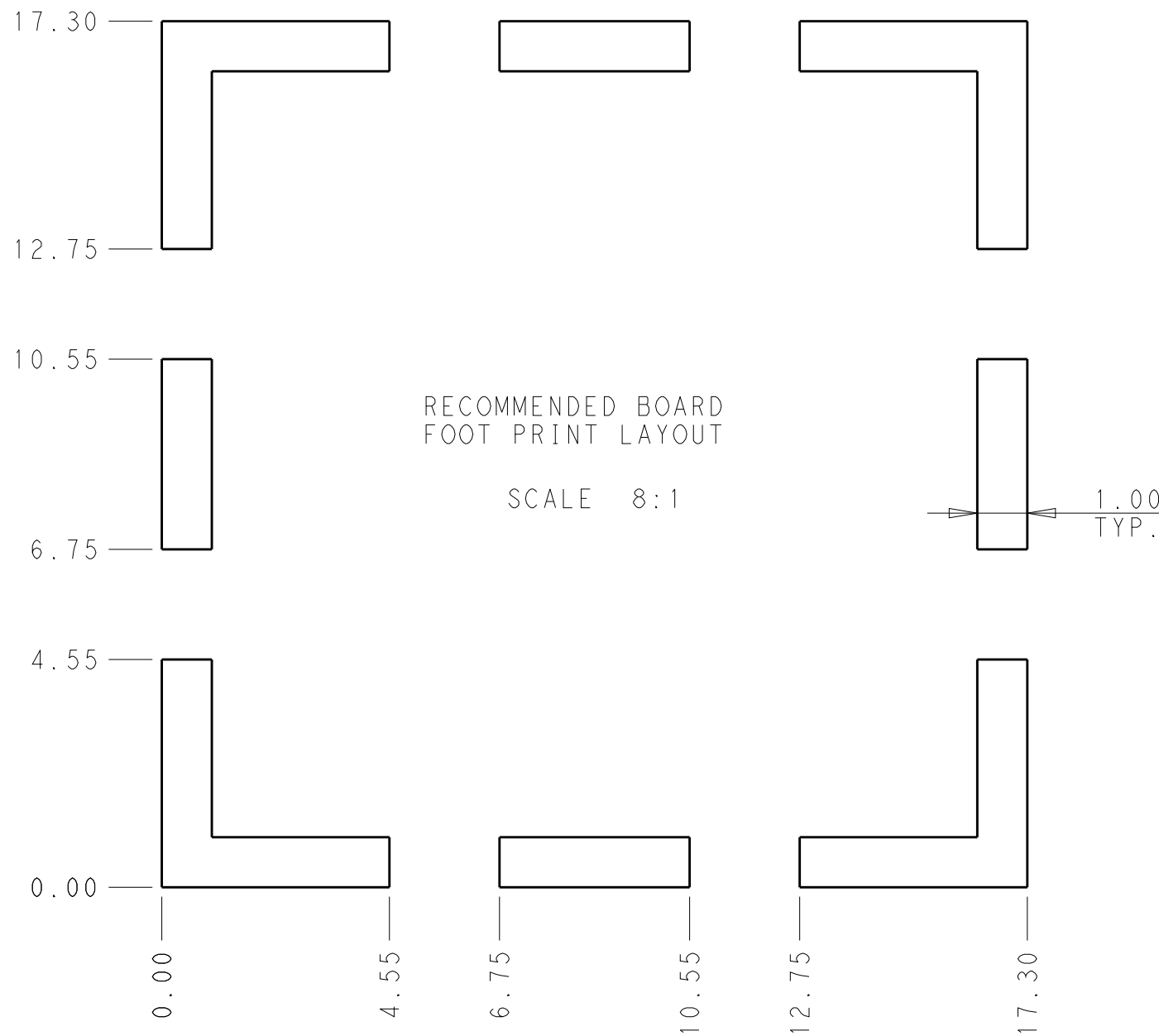
20

© COPYRIGHT 20 BY -

ALL RIGHTS RESERVED.

REVISIONS

P	LTR	DESCRIPTION	DATE	DWN	APVD
	-	SEE SHEET 1	-	-	-

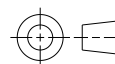


NOTES:  
7. STENCIL THICKNESS: 0.10mm MIN.

THIS DRAWING IS A CONTROLLED DOCUMENT.

DIMENSIONS:

mm



TOLERANCES UNLESS OTHERWISE SPECIFIED:

- 0 PLC ±0.20
- 1 PLC ±0.15
- 2 PLC ±0.10
- 3 PLC ±
- 4 PLC ±
- ANGLES ±2

MATERIAL

FINISH

-

-

DWN 06APR2016

V. LAC

CHK 21APR2017

S. SU

APVD 21APR2017

V. LAC

PRODUCT SPEC

108-19493

APPLICATION SPEC

114-115014

WEIGHT

-

CUSTOMER DRAWING



TE Connectivity

NAME STANDARD SHIELD FRAME

SIZE	CAGE CODE	DRAWING NO	RESTRICTED TO
------	-----------	------------	---------------

A3

-

©-2118716

-

SCALE 6:1

SHEET 2 OF 3

REV A3

4

3

2

1

THIS DRAWING IS UNPUBLISHED.

RELEASED FOR PUBLICATION

20

© COPYRIGHT 20

BY -

ALL RIGHTS RESERVED.

REVISIONS

P	LTR	DESCRIPTION	DATE	DWN	APVD
-	-	SEE SHEET 1	-	-	-

Top view of a standard shield frame. The frame is rectangular with rounded corners and features two rows of 14 elongated holes each. The overall width is 24.00 mm. The distance between the centerlines of the two rows of holes is 14.20 mm. The distance from the top edge to the centerline of the top row of holes is 1.75 mm. The distance between the centerlines of adjacent holes in a row is 4.00 mm. The distance from the centerline of a hole to the right edge is 2.00 mm. The overall height of the frame is 32 ± 0.3 mm. A callout indicates a hole diameter of  $\varnothing 1.50^{+0.1}_0$ . Section lines A-A and B-B are shown.

Section B-B of the shield frame, showing the internal structure and dimensions. The total height of the frame is 17.40 mm. An arrow indicates the USER DIRECTION OF UNREELING.

ELONGATED HOLES

NOTES:

8. REEL SIZE: O.D. 330mm, I.D. 100mm

9. QTY PER REEL: 550PCS

Cross-section of the shield frame showing internal details and dimensions. The overall height is 4.60 mm. The width of the internal cavity is 17.40 mm. The part number 2118716-2 is visible on the internal structure.

THIS DRAWING IS A CONTROLLED DOCUMENT.

DIMENSIONS:

mm

TOLERANCES UNLESS OTHERWISE SPECIFIED:

0 PLC	±0.20
1 PLC	±0.15
2 PLC	±0.10
3 PLC	±
4 PLC	±
ANGLES	±2

MATERIAL

FINISH

DWN V. LAC 06APR2016

CHK S. SU 21APR2017

APVD V. LAC 21APR2017

PRODUCT SPEC

108-19493

APPLICATION SPEC

114-115014

WEIGHT

-

CUSTOMER DRAWING

TE Connectivity

NAME

STANDARD SHIELD FRAME

SIZE

A3

CAGE CODE

-

DRAWING NO

C-2118716

RESTRICTED TO

-

SCALE

6:1

SHEET

3 OF 3

REV

A3

1470-19 (3/13)

## X-ON Electronics

Largest Supplier of Electrical and Electronic Components

*Click to view similar products for [EMI Gaskets, Sheets, Absorbers & Shielding](#) category:*

*Click to view products by [TE Connectivity](#) manufacturer:*

Other Similar products are found below :

[8101010140](#) [8563-0090-89](#) [1194-7.7X10](#) [1245-34"X18YD](#) [1267](#) [1345-3/8x18yrd](#) [1554907-1](#) [2320002000](#) [2320014700](#) [SG293037DS](#)  
[ST005PCN50](#) [55005107](#) [38M4040AA0606](#) [46J5N02020.NN00](#) [1125-8X10](#) [1126X1"](#) [1170-3/4X18YDS](#) [1170-7.7x10](#) [1183-12"X18YD](#) [6-](#)  
[34T-BD-0.315](#) [SG125187D-24](#) [SG125250R-24](#) [SG187375R-24](#) [SG284050DS](#) [8402010540](#) [KIT TECH CLIP](#) [1194](#) [10-40450-28S](#) [1245](#)  
[1267-1/2"x18yd](#) [46J8501020.NN00](#) [1170-1/4"x18yd](#) [AL-36FR-1x54.5](#) [3013310A](#) [1194X1"](#) [3020604](#) [3021302](#) [3031313](#) [260709](#) [3021310](#) [6-](#)  
[34UT-070-BD-16](#) [303076048](#) [46J5N03020.NN00](#) [30206025](#) [30395641](#) [3030403](#) [3690103020](#) [HNY-LT15CU4241](#) [46X7503020.NN00](#)  
[46W5E02520.NN00](#)