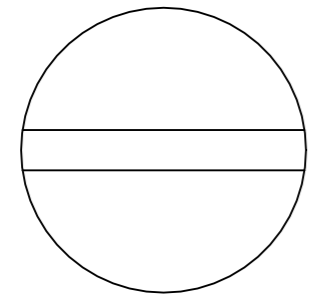
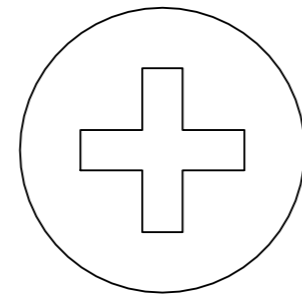


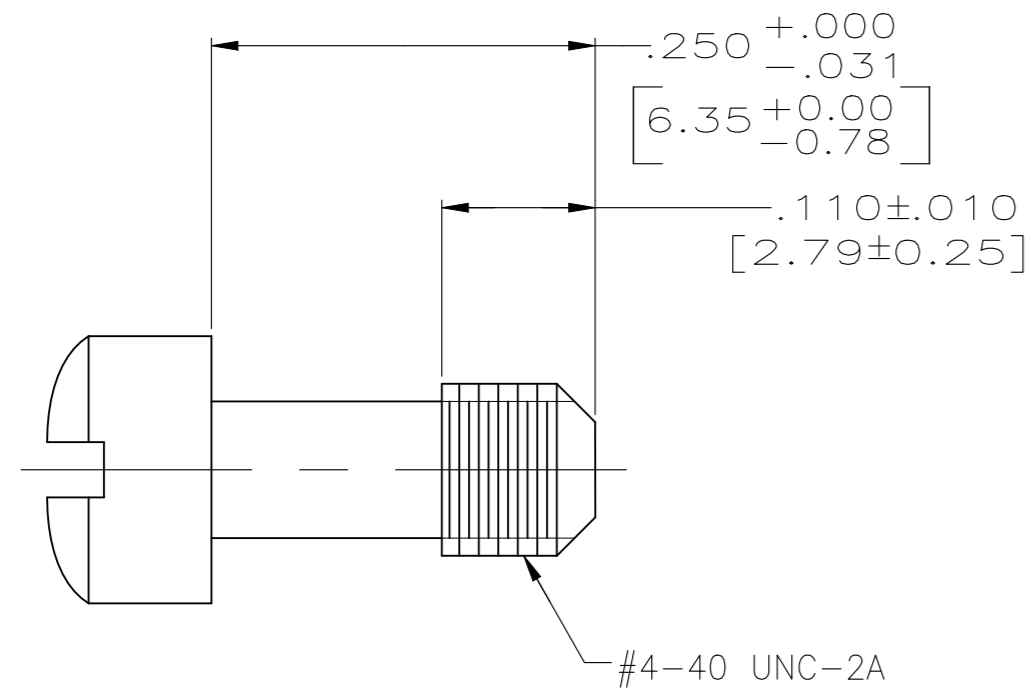
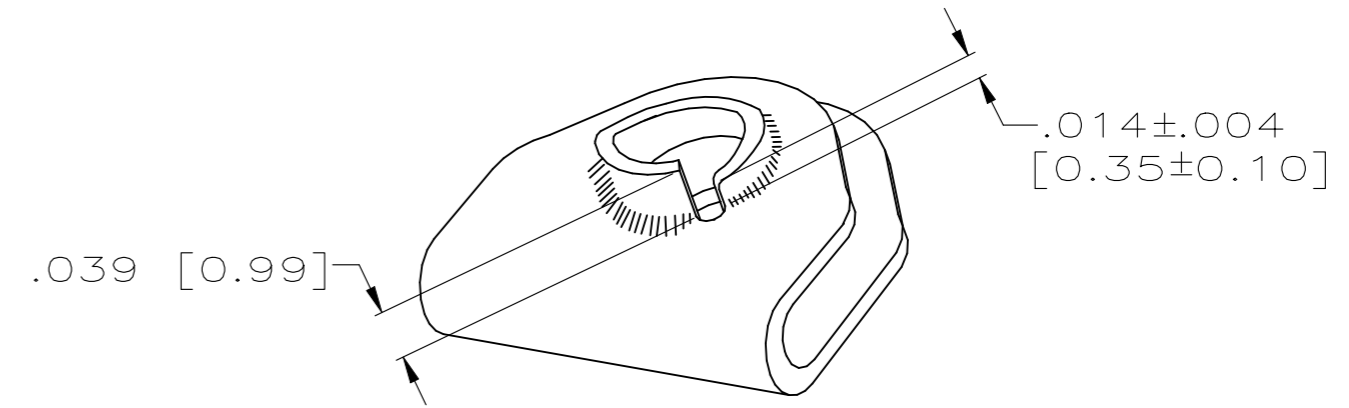
| REVISIONS | | | | |
|-----------|-----|---------------------------|-----------|-------|
| P | LTR | DESCRIPTION | DATE | APVD |
| J | | REVISED PER ECO-21-004775 | 27AUG2021 | LN DM |



FILLISTER HEAD REF

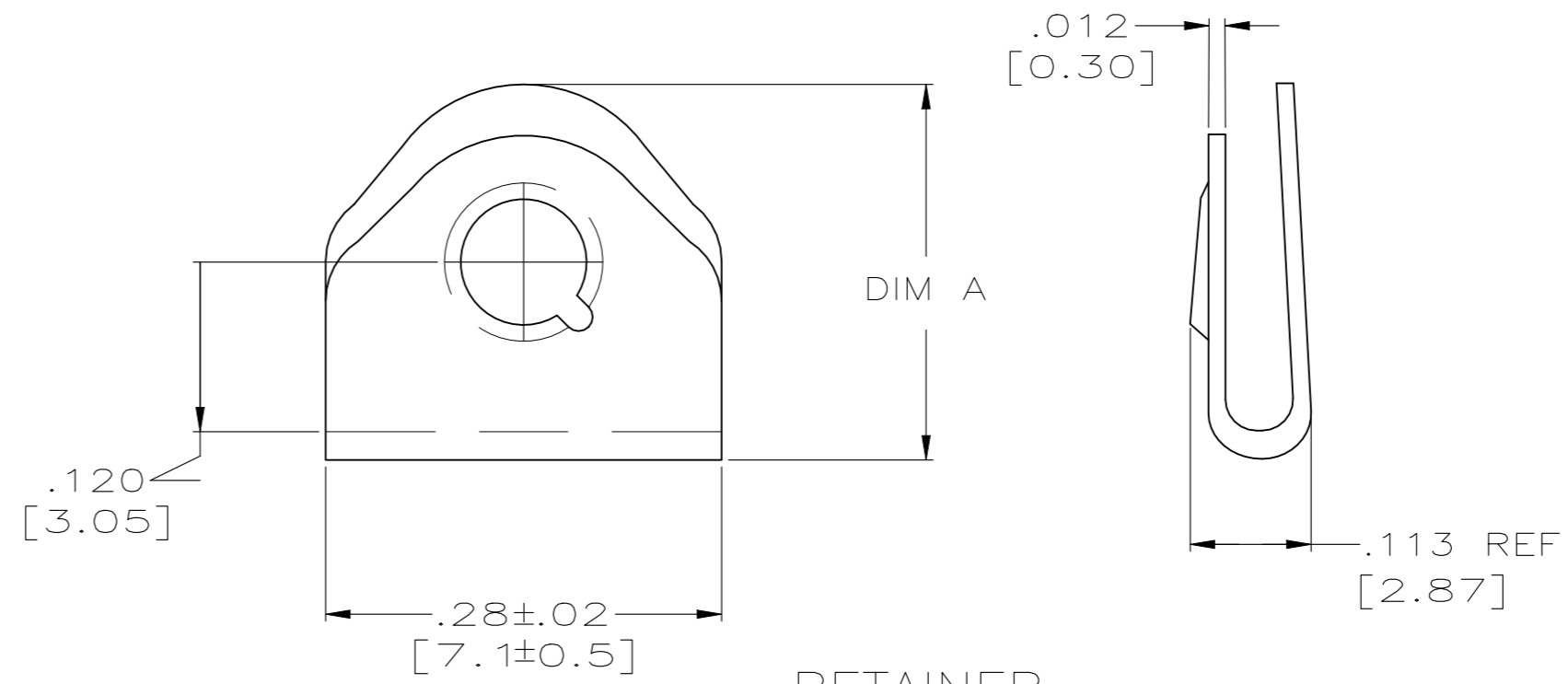


PHILLIPS HEAD REF



SCREW, (TYPE; SEE TABLE)
① OR ③

QTY=2



RETAINER

QTY=2

② OR ④

- ① MAT'L: STAINLESS STEEL PER ASTM-A-582 OR ASTM-A-493
FINISH: PASSIVATED PER SAE-AMS-2700
 - ② MAT'L: STAINLESS STEEL PER QQ-S-766
FINISH: PASSIVATED PER SAE-AMS-2700
 - ③ MAT'L: BRASS PER ASTM-B-16
FINISH: GOLD PLATE PER ASTM-B-488
OVER COPPER PER MIL-C-14550
 - ④ MAT'L: BeCu PER QQ-C-530
FINISH: GOLD PLATE PER ASTM-B-488
OVER COPPER PER MIL-C-14550
5. PARTS ARE PACKAGED UNASSEMBLED.

| | | | | |
|-----------------|--------------------------|------------------|--------------|----------|
| PHILLIPS HEAD | .240±.010 [6.10±0.25] | - | AS SHOWN ① ② | 211883-7 |
| FILLISTER HEAD | .240±.010 [6.10±0.25] | - | AS SHOWN ① ② | 211883-6 |
| FILLISTER HEAD | .265±.015 [6.73±0.38] | M24308/25-6P | AS SHOWN ① ② | 211883-5 |
| FILLISTER HEAD | .265±.015 [6.73±0.38] | - | AS SHOWN ③ ④ | 211883-1 |
| SCREW HEAD TYPE | DIM A | MILITARY PART NO | DESCRIPTION | PART NO. |

| | | | | |
|--|--|------------------------|---|-----------------|
| THIS DRAWING IS A CONTROLLED DOCUMENT. | | DWN C.C.THOMAS 2-11-03 | TE Connectivity | |
| | | CHK D.MILLER 2-11-03 | | |
| | | APVD D.MILLER 2-11-03 | NAME | |
| | | PRODUCT SPEC | SCREW-LOCK ASSEMBLY, MALE, AMPLIMITE, KIT | |
| | | APPLICATION SPEC | | |
| | | | SIZE A2 | CAGE CODE 00779 |
| | | WEIGHT 0.000000 | DRAWING NO C=211883 | RESTRICTED TO - |
| | | CUSTOMER DRAWING | SCALE 8:1 | SHEET 1 of 1 |
| | | | REV J | |

X-ON Electronics

Largest Supplier of Electrical and Electronic Components

Click to view similar products for [D-Sub Tools & Hardware](#) category:

Click to view products by [TE Connectivity](#) manufacturer:

Other Similar products are found below :

[000-01-09-132](#) [000-01-21-132](#) [000-01-31-162](#) [572019-00105-70](#) [000-01-37-162](#) [621-250-113-115](#) [D110550-2](#) [D20418-137](#) [780-518-50SG6-WS](#) [86552009](#) [86553115TLF](#) [86553117TLF](#) [1230032-1](#) [1-5021101-2](#) [1589283-4](#) [160-000-005R031](#) [16-000230](#) [160-025-004R031](#) [160-000-137R000](#) [160-020-209R000](#) [164C03939A](#) [177-505-A-2-2](#) [1-966830-8](#) [21018-6](#) [21028-2](#) [2-1393560-9](#) [JS-1000](#) [L17D204182M3E](#) [L17D53018](#) [300X10779X](#) [160X10189X](#) [160X10419X](#) [160X10959X](#) [162-000-050R000](#) [21018-5](#) [212561-3](#) [248C21550X](#) [CF15P](#) [QLOCKPOST-2](#) [D110277](#) [500-008NF1K-01](#) [500-008NF3R3KS-01](#) [500-017M09FN](#) [500-017M15MHN](#) [500-024M1](#) [500-068M3](#) [5-1393561-5](#) [C115373-0001](#) [C115373-0002](#) [3342-4-KIT](#)