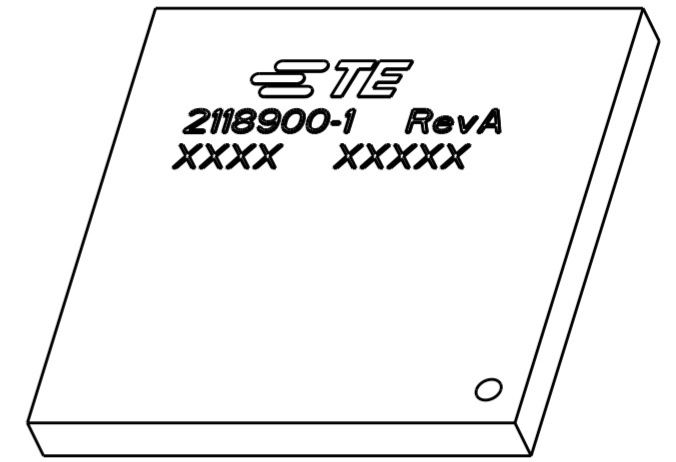
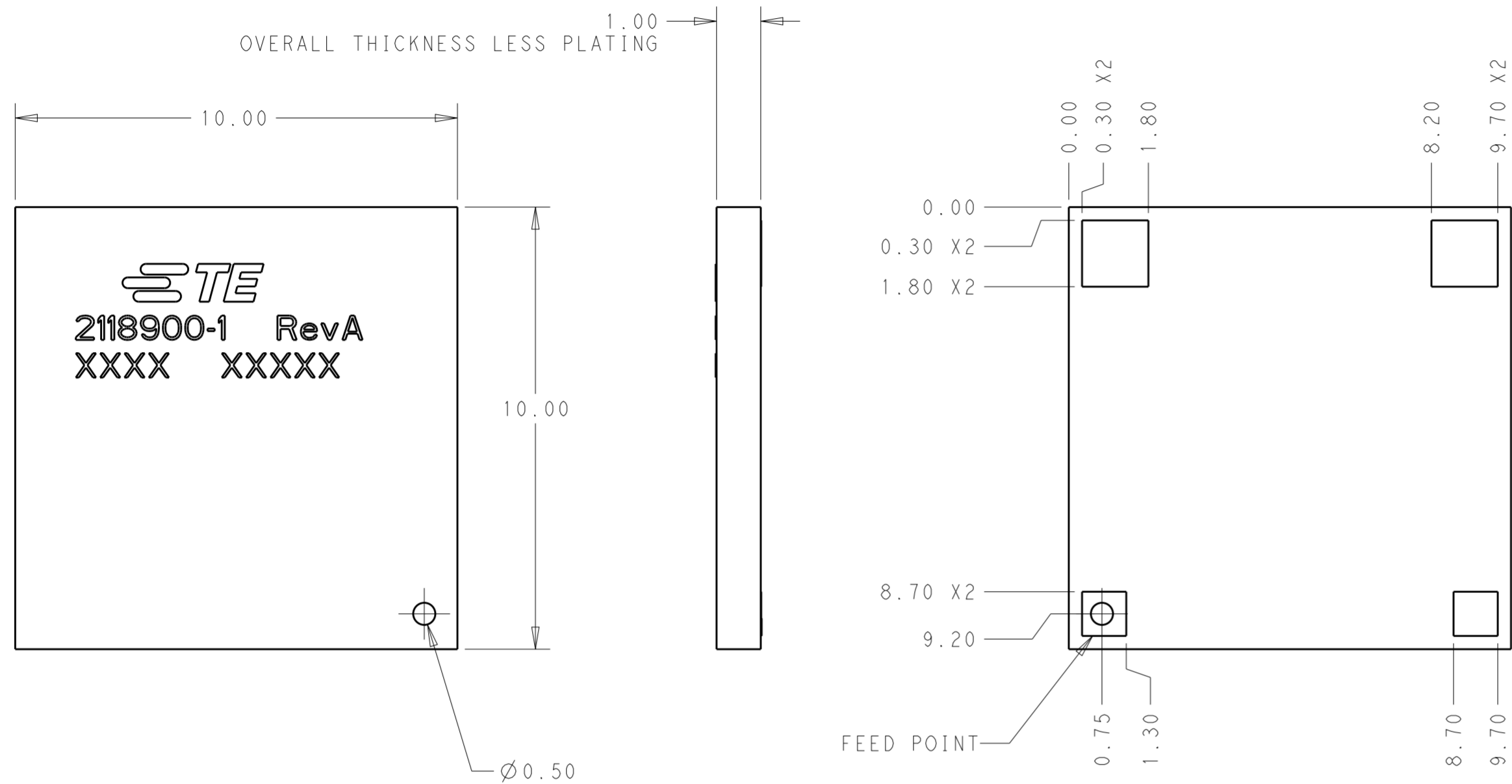


THIS DRAWING IS UNPUBLISHED. RELEASED FOR PUBLICATION
 © COPYRIGHT copyright_date ALL RIGHTS RESERVED.

REVISIONS					
P	LTR	DESCRIPTION	DATE	DWN	APVD
1		INITIAL DRAWING	10AUG2018	AP	JLM
A		PRODUCTION RELEASE	04JAN2019	CR	JLM



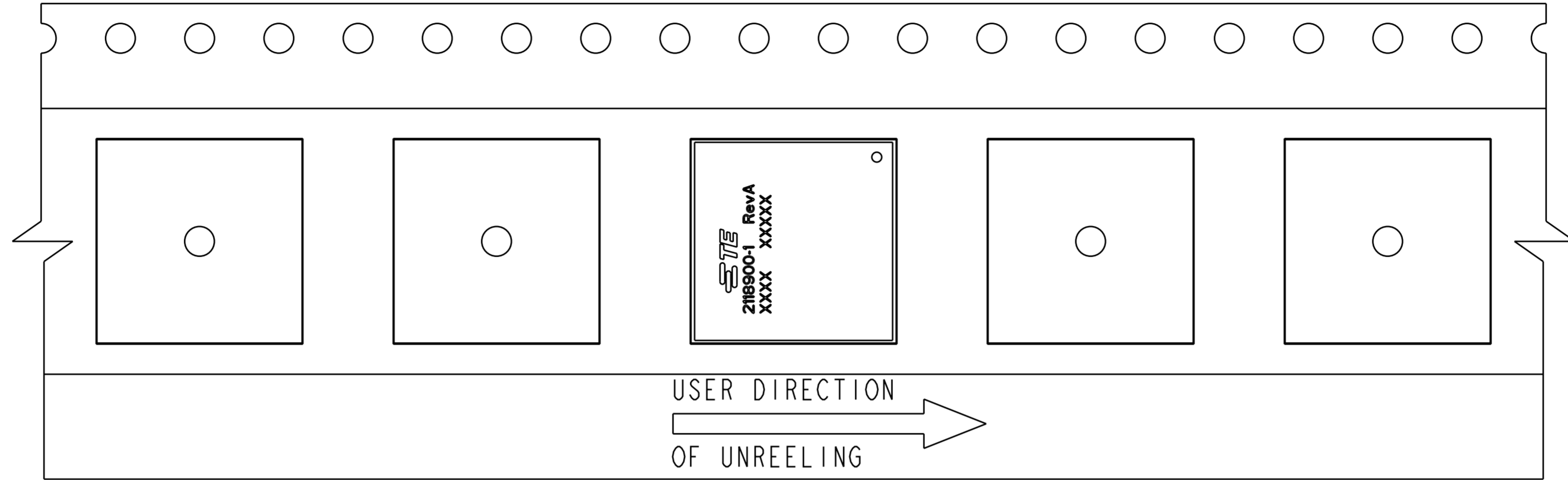
- NOTES: UNLESS OTHERWISE SPECIFIED.
- FABRICATE TO MEET IPC - 6012, CLASS 2. INSPECT TO MEET IPC - A - 600, CLASS 2.
 - PRIMARY AND SECONDARY SIDES SHOWN.
 - MATERIAL : FR4 PCB; 2 COPPER LAYERS
1/2 OZ. COPPER BOTH SIDES.
DIELECTRIC CONSTANT @ 1MHz 4.2 ± 0.1.
 - FINISH:
A: 1/2 Oz COPPER
B: SOLDERMASK OVER BARE COPPER (SMOBC).
C: MASK BOTH SIDES OF PCB WITH LPI SOLDERMASK.
SOLDERMASK COLOR: ORANGE; PANTONE 144C.
D: E.N.I.G. PLATING
 - TWO PLACE TOLERANCES: ±0.15 mm
 - PACKAGING: SINGULATED PARTS TO BE SECURELY SHRINK WRAPPED, BAGGED OR VACUUM PACKED IN BULK FOR TAPE AND REEL, SEE SHEET 2
 - A. ALL MATERIALS PRODUCTS AND PROCESSES MUST MEET REQUIREMENTS OF TE CONNECTIVITY ENVIRONMENTAL STANDARD TEC-138-702 (CONTAINS NO BABBED OR RESTRICTED SUBSTANCES)
B. NO REACH SVHC SHALL BE CONTAINED ABOVE THE TRESHOLD AS DEFINED IN REACH SVHC
C. LOW HALOGEN: CODE2 (BR<900PPM; CI<900PPM; Br+CI<1500PPM) PER HOMOGENEOUS MATERIAL
 - CONSULT TE CONNECTIVITY DATA SHEET DS2118900
 - CONTACT TE CONNECTIVITY ENGINEERING PRIOR TO DESIGNING INTO AN APPLICATION

P/N	DESCRIPTION
2118900-1	TAPE AND REEL PACKAGED (SEE PAGE 2)
2118900-2	VACUUM PACKED, SHRINK WRAPPED OR BAGGED IN BULK

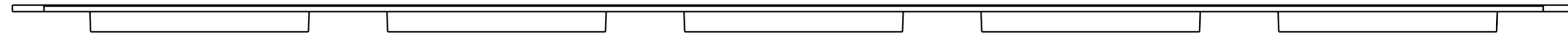
THIS DRAWING IS A CONTROLLED DOCUMENT.		DWN AJITH PAI 10AUG2018	TE Connectivity															
DIMENSIONS: mm		CHK J. MOORE 10AUG2018																
TOLERANCES UNLESS OTHERWISE SPECIFIED:		APVD J. MOORE 10AUG2018	NAME PCB ANTENNA															
<table border="0"> <tr><td>0 PLC</td><td>±</td></tr> <tr><td>1 PLC</td><td>±</td></tr> <tr><td>2 PLC</td><td>±</td></tr> <tr><td>3 PLC</td><td>±</td></tr> <tr><td>4 PLC</td><td>±</td></tr> <tr><td>ANGLES</td><td>±</td></tr> <tr><td>FINISH</td><td>-</td></tr> </table>		0 PLC	±	1 PLC	±	2 PLC	±	3 PLC	±	4 PLC	±	ANGLES	±	FINISH	-	PRODUCT SPEC -	SIZE A2	CAGE CODE -
0 PLC	±																	
1 PLC	±																	
2 PLC	±																	
3 PLC	±																	
4 PLC	±																	
ANGLES	±																	
FINISH	-																	
MATERIAL -		APPLICATION SPEC -	DRAWING NO C-2118900	RESTRICTED TO -														
		WEIGHT -	SCALE 9:1 SHEET 1 OF 2 REV A															
		CUSTOMER DRAWING																

THIS DRAWING IS UNPUBLISHED. RELEASED FOR PUBLICATION
 © COPYRIGHT copyright_date ALL RIGHTS RESERVED.

REVISIONS				
P	LTR	DESCRIPTION	DATE	APVD
-		SEE SHEET 1	-	-



2118900-1 PACKAGED AS SHOWN



PACKAGING NOTES: UNLESS OTHERWISE SPECIFIED.

1. REFER TO TE CONNECTIVITY DRAWING NO. C-1533658 (PN: 1533658-1) FOR TAPE AND REEL SPECIFICATIONS.
2. ORIENT PARTS AS SHOWN.
3. PRODUCT AND PROCESSING MEET REQUIREMENTS OF TE CONNECTIVITY ENVIROMENTAL STANDARD TEC-138-702.

THIS DRAWING IS A CONTROLLED DOCUMENT.		DWN AJITH PAI 10AUG2018	STE TE Connectivity	
		CHK J. MOORE 10AUG2018		
DIMENSIONS: mm		APVD J. MOORE 10AUG2018	NAME PCB ANTENNA	
TOLERANCES UNLESS OTHERWISE SPECIFIED: 0 PLC ± 1 PLC ± 2 PLC ± 3 PLC ± 4 PLC ± ANGLES ± FINISH		PRODUCT SPEC -	SIZE A2	
MATERIAL -		APPLICATION SPEC -	CAGE CODE -	DRAWING NO. C-2118900
		WEIGHT -	RESTRICTED TO -	SCALE 9:1
		CUSTOMER DRAWING	SHEET 2 OF 2	REV A

X-ON Electronics

Largest Supplier of Electrical and Electronic Components

Click to view similar products for [Antennas](#) category:

Click to view products by [TE Connectivity](#) manufacturer:

Other Similar products are found below :

[GAN30084EU](#) [930-033-R](#) [GW17.07.0250E](#) [1513563-1](#) [EXE902SM](#) [APAMPG-117](#) [MAF94383](#) [W3908B0100](#) [W6102B0100](#) [YE572113-30RSMM](#) [108-00014-50](#) [66089-2406](#) [SPDA17RP918](#) [A09-F8NF-M](#) [A09-F5NF-M](#) [RGFRA1903041A1T](#) [W3593B0100](#) [W3921B0100](#) [SIMNA-868](#) [SIMNA-915](#) [SIMNA-433](#) [W1044](#) [W1049B090](#) [A75-001](#) [WTL2449CQ1-FRSMM](#) [CPL9C](#) [EXB148BN](#) [0600-00060](#) [TRA9020S3PBN-001](#) [Y4503](#) [GD5W-28P-NF](#) [MA9-7N](#) [GD53-25](#) [GD5W-21P-NF](#) [C37](#) [MAF94051](#) [MA9-5N](#) [EXD420PL](#) [B1322NR](#) [QWFTB120](#) [MAF94271](#) [MAF94300](#) [GPSMB301](#) [FG4403](#) [AO-AGSM-OM54](#) [5200232](#) [MIKROE-2349](#) [WCM.01.0111](#) [MIKROE-2393](#) [MIKROE-2352](#)