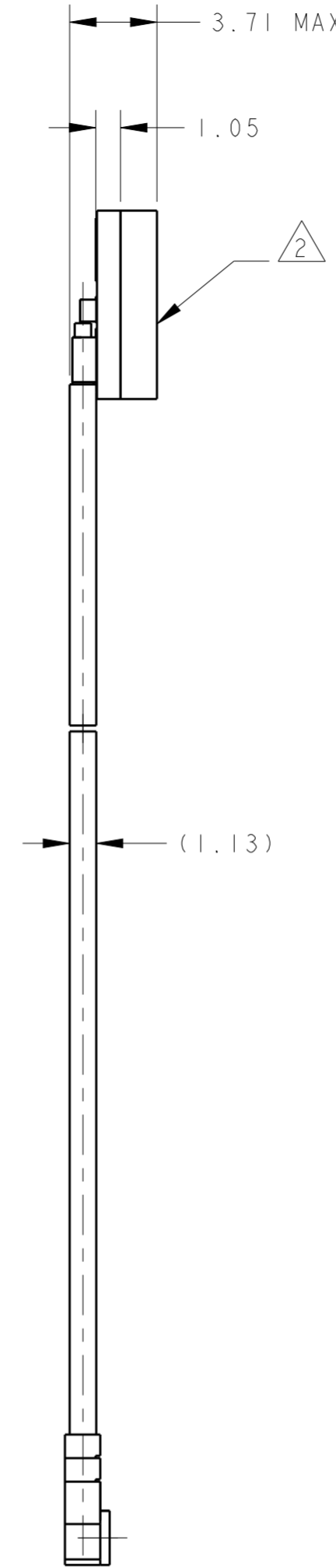
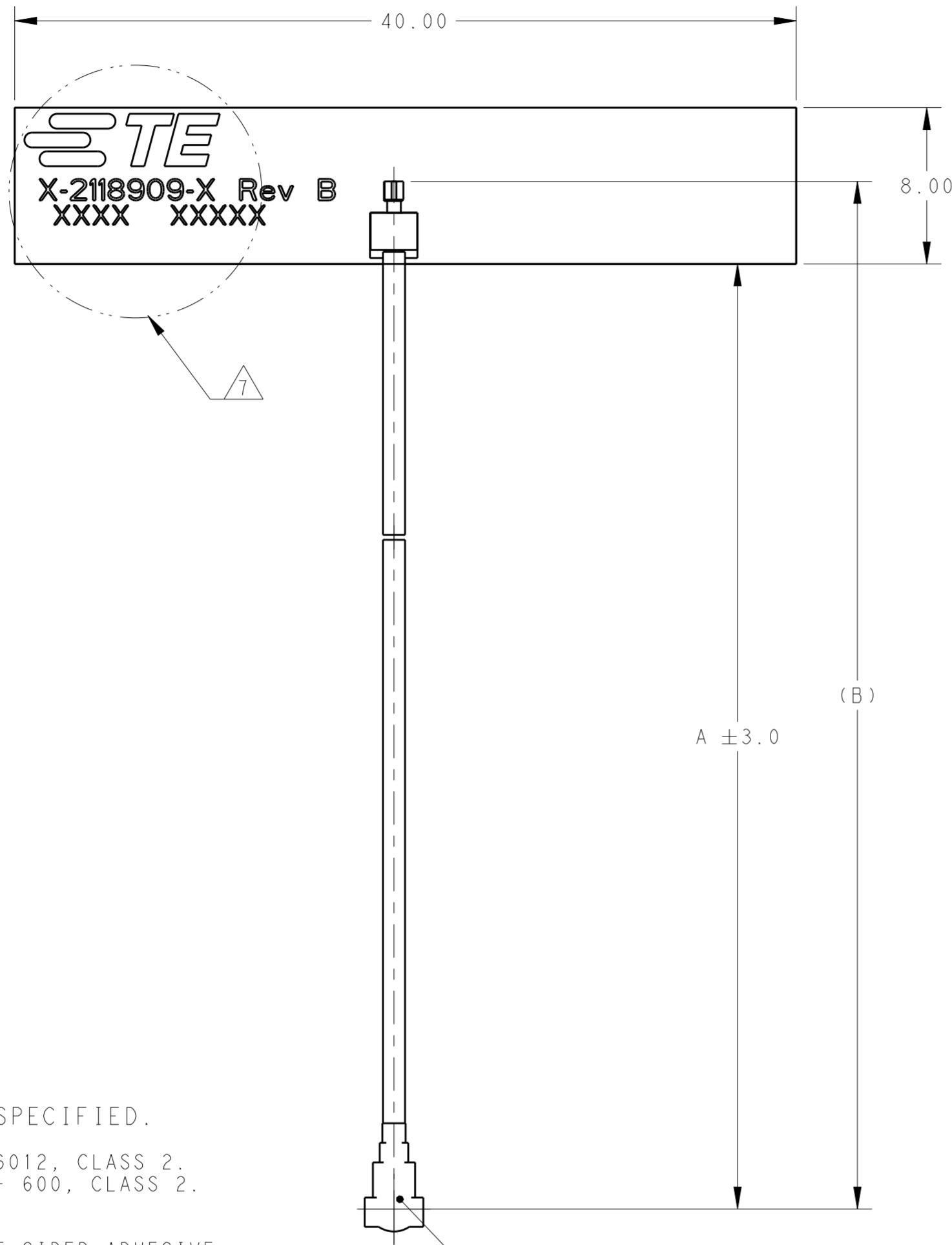


THIS DRAWING IS UNPUBLISHED. RELEASED FOR PUBLICATION 20  
 © COPYRIGHT 20 BY TYCO ELECTRONICS CORPORATION ALL RIGHTS RESERVED.

LOC	DIST	REVISIONS			
P	LTR	DESCRIPTION	DATE	DWN	APVD
00	AJ	A2	REV PER ECO-20-007878	05JUN2020	SJ JH
		A3	Updated drawing	10JUN2020	SJ JH
		A4	Added cable parts.	13AUG2020	SJ JH
		B	REVISED PER ECO-20-015624	04NOV2020	SJ JH



NOTES: UNLESS OTHERWISE SPECIFIED.

- FABRICATE TO MEET IPC - 6012, CLASS 2. INSPECT TO MEET IPC - A - 600, CLASS 2.
- MATERIAL :  
 A. FR-4 PCB + VHB DOUBLE SIDED ADHESIVE.  
 B. ADHESIVE WITH LINER ON THE BACK SIDE. REMOVE LINER TO APPLY
- FINISH:  
 A: SOLDERMASK BOTH SIDES: ORANGE.
- GENERAL TOLERANCE : ±0.2.
- PACKAGING: SINGULATED PARTS TO BE SECURELY BAG WRAPPED, BAGGED OR VACUUM PACKED IN BULK.
- CONSULT TE CONNECTIVITY DATA SHEET DS2118909.
- SILKSCREEN; WHITE EPOXY INK  
 A. TE LOGO, TE P/N  
 B. WORD REV., FOLLOWED BY THE LATEST REVISION LETTER, AS SHOWN.  
 C. 4 DIGIT DATE CODE: FIRST 2 DIGITS FOR THE WEEK CODE AND THE 2ND TWO DIGITS FOR THE YEAR CODE.  
 OTHERS: SPECIFIC TE SOURCE CODE NUMBER DIGITS AS REQUIRED.

CONNECTOR MATING FACE DOWN IN THIS VIEW "C"

MHF 4L	(204.2)	200.0	1-2118909-8
	(154.2)	150.0	1-2118909-7
	(104.2)	100.0	1-2118909-6
	(54.2)	50.0	1-2118909-5
MHF	(204.2)	200.0	1-2118909-4
	(154.2)	150.0	1-2118909-3
	(104.2)	100.0	1-2118909-2
	(54.2)	50.0	1-2118909-1
MHF 4L	(64.20)	60.0	2118909-8
	(375.00)	370.80	2118909-6
	(225.00)	220.80	2118909-5
	(120.00)	115.80	2118909-4
MHF	(273.00)	268.80	2118909-2
	(120.00)	115.80	2118909-1
"C" CONNECTOR TYPE	B	A	PART NUMBER

THIS DRAWING IS A CONTROLLED DOCUMENT.

DWN	SJ, NOH	04APR2020	TE Connectivity
CHK	H, SHIN	04APR2020	
APVD	JH, KIM	04APR2020	
PRODUCT SPEC	-		
APPLICATION SPEC	-		NAME
WEIGHT	-		PCB Ant, MHF/MHF4L Wi-Fi 6E Triple
CUSTOMER DRAWING	SCALE	4:1	RESTRICTED TO
	SHEET	1 OF 1	REV B

## X-ON Electronics

Largest Supplier of Electrical and Electronic Components

*Click to view similar products for [Antennas](#) category:*

*Click to view products by [TE Connectivity](#) manufacturer:*

Other Similar products are found below :

[GAN30084EU](#) [930-033-R](#) [GW17.07.0250E](#) [1513563-1](#) [EXE902SM](#) [APAMPG-117](#) [MAF94383](#) [W3908B0100](#) [W6102B0100](#) [YE572113-30RSMM](#) [108-00014-50](#) [66089-2406](#) [SPDA17RP918](#) [A09-F8NF-M](#) [A09-F5NF-M](#) [RGFRA1903041A1T](#) [W3593B0100](#) [W3921B0100](#) [SIMNA-868](#) [SIMNA-915](#) [SIMNA-433](#) [W1044](#) [W1049B090](#) [A75-001](#) [WTL2449CQ1-FRSMM](#) [CPL9C](#) [EXB148BN](#) [0600-00060](#) [TRA9020S3PBN-001](#) [Y4503](#) [GD5W-28P-NF](#) [MA9-7N](#) [GD53-25](#) [GD5W-21P-NF](#) [C37](#) [MAF94051](#) [MA9-5N](#) [EXD420PL](#) [B1322NR](#) [QWFTB120](#) [MAF94271](#) [MAF94300](#) [GPSMB301](#) [FG4403](#) [AO-AGSM-OM54](#) [5200232](#) [MIKROE-2349](#) [WCM.01.0111](#) [MIKROE-2393](#) [MIKROE-2352](#)