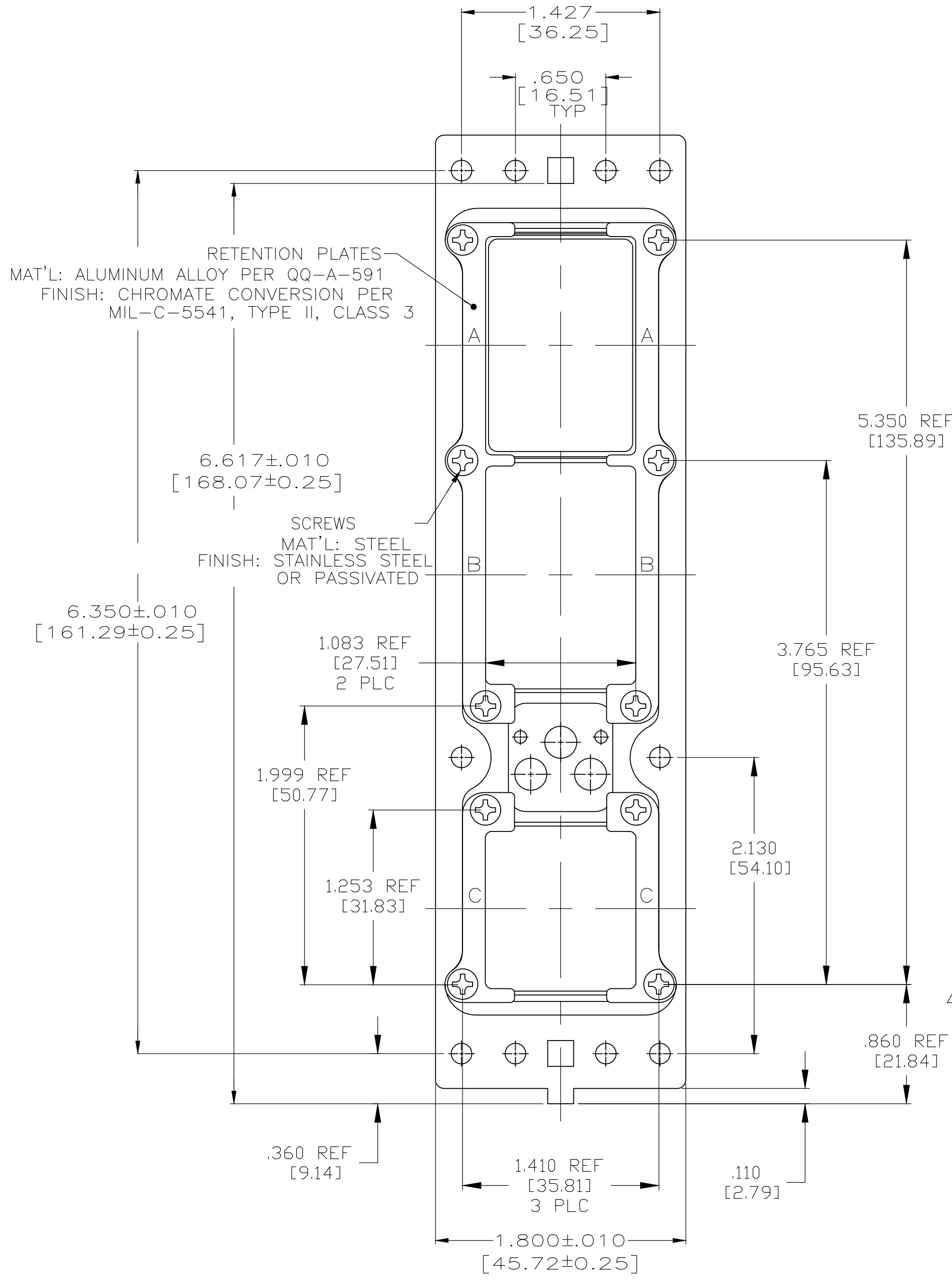
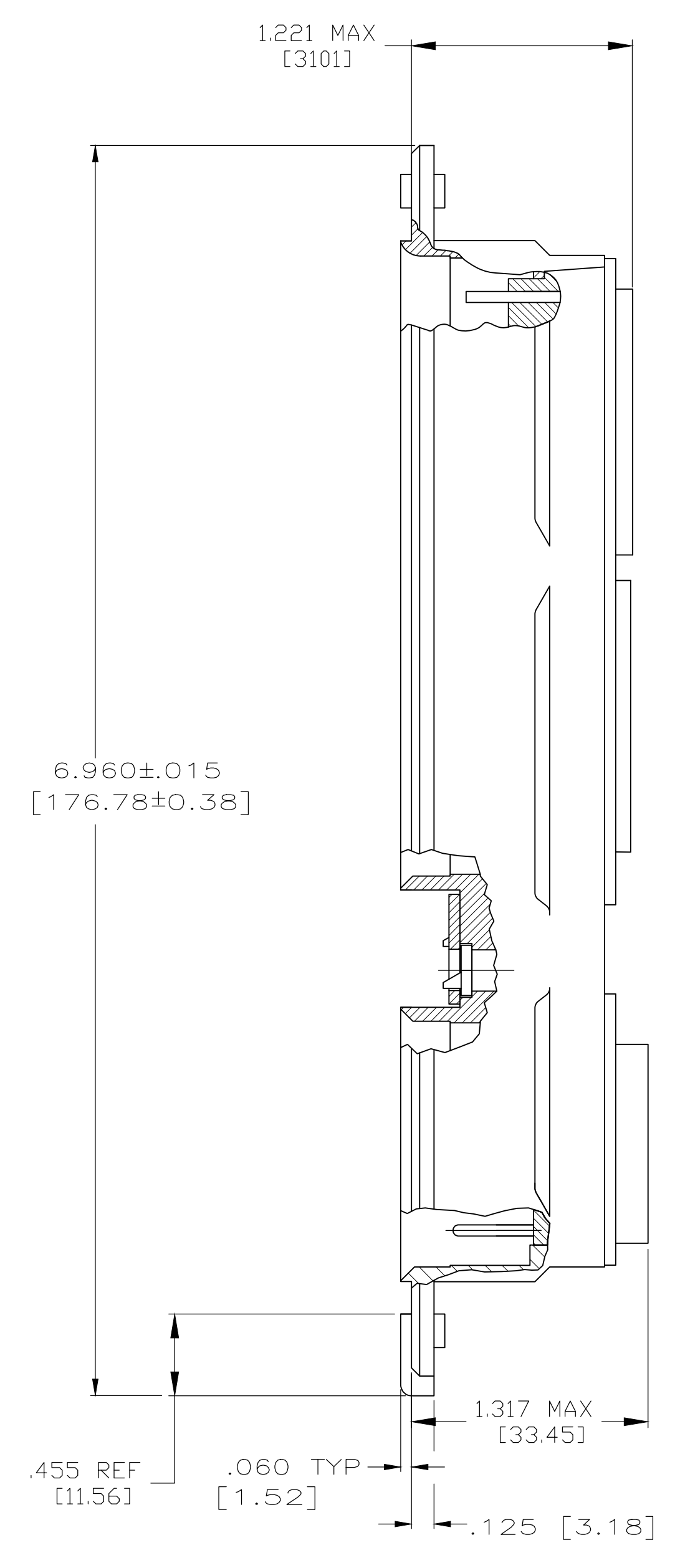
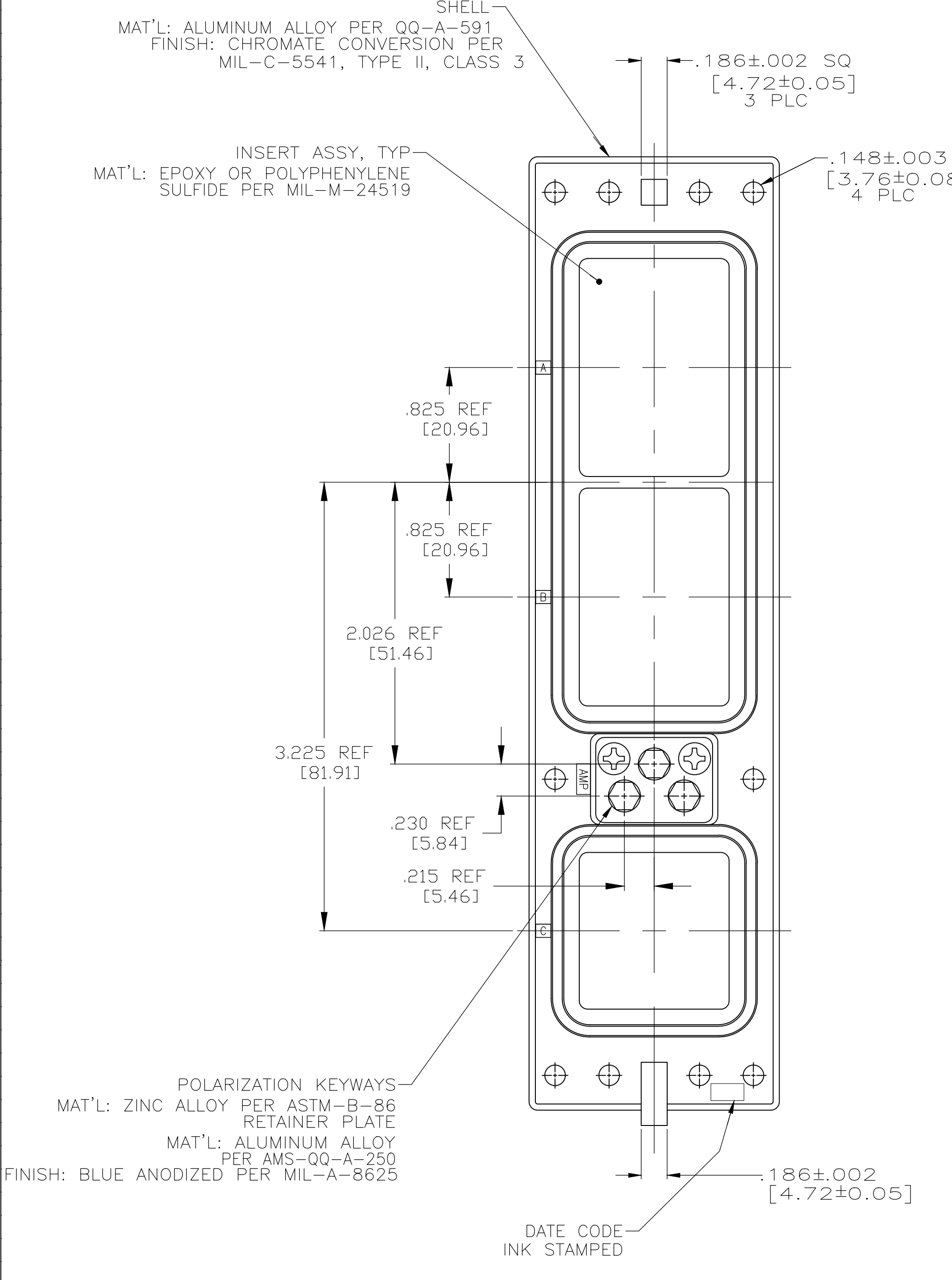


REVISIONS					
P	LTR	DESCRIPTION	DATE	DMN	APVD
AC	REVISED PER	ECO-17-018523	19JAN2018	PHM	CT



- CONTACTS ARE SHOWN IN POSITION FOR ILLUSTRATION ONLY. FOR SHIPMENT CONTACTS ARE INCLUDED IN A CONTAINER WITHIN THE CONNECTOR PACKAGE, UNLESS OTHERWISE SPECIFIED. COAX CONTACTS ARE NOT SUPPLIED AND MUST BE ORDERED SEPARATELY.
- ALL CONTACTS CAVITIES IN MODULES A & B ARE LOCATED WITHIN .006 [0.15] DIA TRUE POSITION. ALL CONTACT CAVITIES IN MODULE C ARE LOCATED WITHIN .020 [0.51] DIA TRUE POSITION.
- POLARIZING KEYS SHOWN IN POSITION 01 FOR ILLUSTRATION ONLY. CONNECTORS SHIPPED WITH KEYING PER ORDERING INSTRUCTIONS. CONTACT INSERTS AS SHOWN FOR ILLUSTRATION ONLY. SEE TABLE FOR DESCRIPTIVE NUMBER.
- FRONT RELEASE FEATURE PERTAINS TO SIGNAL INSERTS ONLY.
- ALL CONTACTS SUPPLIED ARE LOADED IN THE CONNECTOR.
- SPECIAL WITH INSERTS 150/150/OPEN. STANDARD MOUNTING. SIZE 22 CONTACTS (211431-4) LOADED IN THE 150 POSN. INSERT. (2 PLC)
- SPECIAL WITH INSERTS 150/OPEN/OPEN. STANDARD MOUNTING. SIZE 22 CONTACTS (211431-4) LOADED IN THE 150 POSN. INSERT.
- PRELIMINARY PART NUMBER, NOT RELEASED FOR PRODUCTION.
- SPECIAL WITH INSERTS FR 150/FR 71C1/RR 34. SIX #4-40 CLINCH NUTS. 220 SIZE 22 POSTED SOCKET CONTACTS (211431-2) LOADED IN THE 150 AND 71C1 INSERTS. ALL OTHER CONTACTS ORDERED SEPARATELY. KEYED IN POSITION \*01\*.
- SAME AS 3-211991-0 EXCEPT SIZE 22 CONTACTS ARE SOLDER DIPPED.
- SPECIAL WITH INSERTS 150/121/100 ALL FRONT RELEASE AND LOADED WITH .250 [6.35] EXTENSION POSTED CONTACTS. SIX #6-32 CLINCH NUTS. KEYED IN POSITION \*01\*.
- ALL DIMENSIONS PER ARINC 600 SPECIFICATIONS.

.025 SQUARE FRONT RELEASE #22 CONTACTS	3	.500 [12.70]	211245-6	.025 ROUND FRONT RELEASE #22 CONTACTS	.500 [12.70]	211431-8
	2	.375 [9.53]	211245-4		.375 [9.53]	211431-6
	1	.250 [6.35]	211245-2		.250 [6.35]	211431-4
	NUMBER OF WRAPS	MIN POST EXTENSION FROM REAR OF INSERT	AMP PART NUMBER		MIN EXTENSION FROM REAR OF INSERT	AMP PART NUMBER

NIC66G23FA01FF0	4-211991-5
NIC66G21FA00GDO	4-211991-4
	4-211991-3
	4-211991-2
	4-211991-1
NIC66G21FA01FKO	4-211991-0
	3-211991-9
	3-211991-8
NIC66G21FA07GDO	3-211991-7
NIC66G29FA02FA1	3-211991-6
NIC66G21FA01GJO	3-211991-5
NIC66G20FA01FA1	3-211991-4
NIC66G20FA00FA1	3-211991-3
	3-211991-2
	3-211991-1
NIC66G21FA04FFO	3-211991-0
	2-211991-9
	2-211991-8
NIC66G21FA06GFO	2-211991-7
NIC66G21FA09GDO	2-211991-6
	2-211991-5
NIC66G22FA00CC1	2-211991-4
NIC66G25FA00CC1	2-211991-3
NIC66G23FA00CC1	2-211991-2
NIC66G20FA08FBO	2-211991-1
NIC66G20FA03FBO	2-211991-0
	1-211991-9
NIC66G29FA01FA1	1-211991-8
NIC66G23FA02FA1	1-211991-7
NIC66G21FA09GDO	1-211991-6
	1-211991-5
NIC66G21FA02FFO	1-211991-4
	1-211991-3
NIC66G26FA8GD0	1-211991-2
NIC66G21FA01FC0	1-211991-1
NIC66G21FA01CC1	1-211991-0
NIC66G21FA00CC1	211991-9
NIC66G26FA01FA1	211991-8
	211991-7
NIC66G21FA01SB1	211991-6
NIC66G21FA01GDO	211991-5
NIC66G23FA91FA1	211991-4
NIC66G25FA01FA1	211991-3
NIC66G21FA FA1	211991-2
NIC66G23FA01FA1	211991-1

THIS DRAWING IS A CONTROLLED DOCUMENT.

DIN C.C.THOMAS 11-27-95  
CHK R.GROSS 4-11-96  
NAME R.GROSS 4-11-96

TE Connectivity Ltd.

CONNECTOR ASSY, SIZE 2 CLASS A, RCPT, ARINC-600 FRONT RELEASE

SIZE A1 CASE CODE DRAWING NO. 00779 ©=211991

CUSTOMER DRAWING SCALE 1.5:1 SHEET 1 OF 1 REV AC

## X-ON Electronics

Largest Supplier of Electrical and Electronic Components

*Click to view similar products for [Rack & Panel Connectors](#) category:*

*Click to view products by [TE Connectivity](#) manufacturer:*

Other Similar products are found below :

[00170420102](#) [00171420202](#) [00171440002](#) [008026165000265](#) [02-014-013-5200-000](#) [613467-000](#) [CTJ112E01E-513](#) [CTJ116E03A-513](#)  
[M81714/63-22S L/C](#) [M81714/65-12-1](#) [66020-2](#) [CW8958-000](#) [699886-000](#) [D250-50632](#) [70.400.3240.0](#) [70.955.2453.3](#) [733753-000](#) [F22831-000](#) [780-522-DPX34RG8-02](#) [MMA25-0341D1](#) [8660-501](#) [87.060.0053.0](#) [900709N001](#) [QRP4-12P-C\(01\)](#) [QR/P6-6S-C\(01\)](#) [1218600-1](#) [D-659-0061](#) [DMC-MD 24 C-T](#) [1-445717-6](#) [1484398-2](#) [1484399-2](#) [1484469-2](#) [MR-34MG](#) [1604997-2](#) [1663130-1](#) [1663767-7](#) [1663767-8](#) [MTC100-BF1-P31CS015](#) [MTC100-KT2-0083](#) [MTC100-KT2-0123-003](#) [MTC100-YA1-005](#) [MTCB1X-105-XXX](#) [MTCQKT1R2PGCA](#) [MTCR-103-04S](#) [MTCX1X-100-100CS025](#) [1738331-1](#) [1757667-1](#) [1883433-1](#) [1996636-1](#) [201784-4](#)