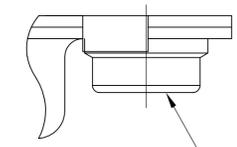
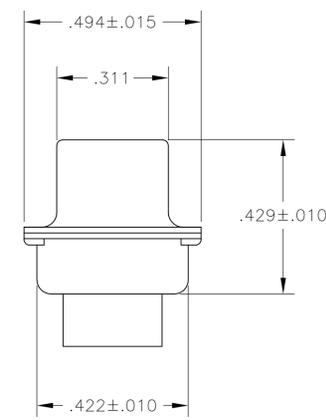
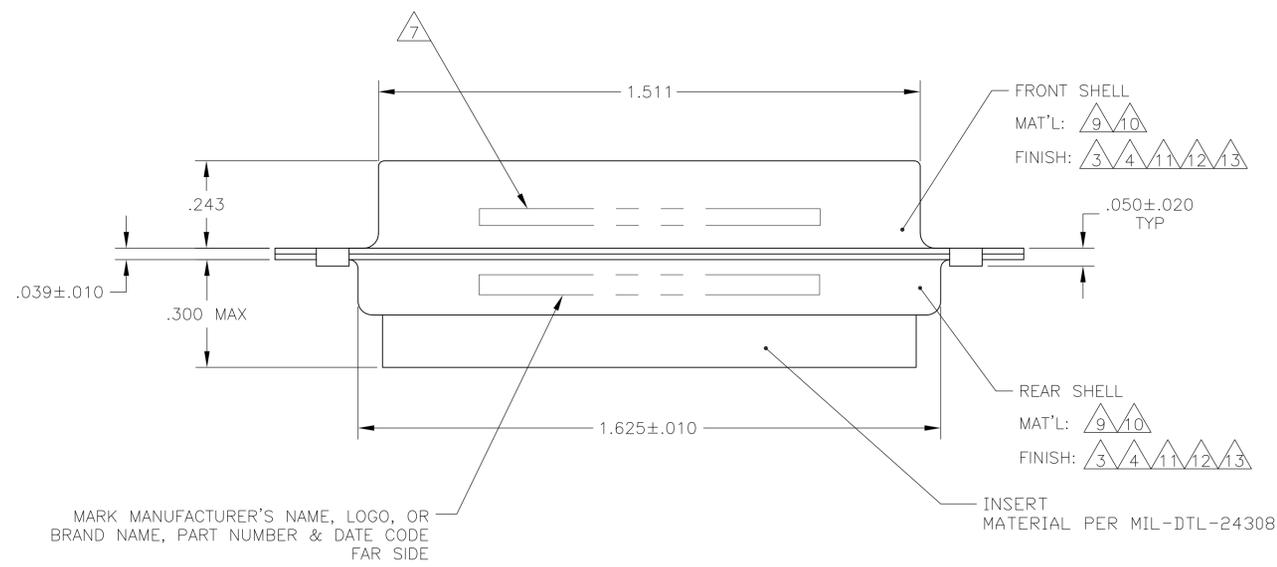
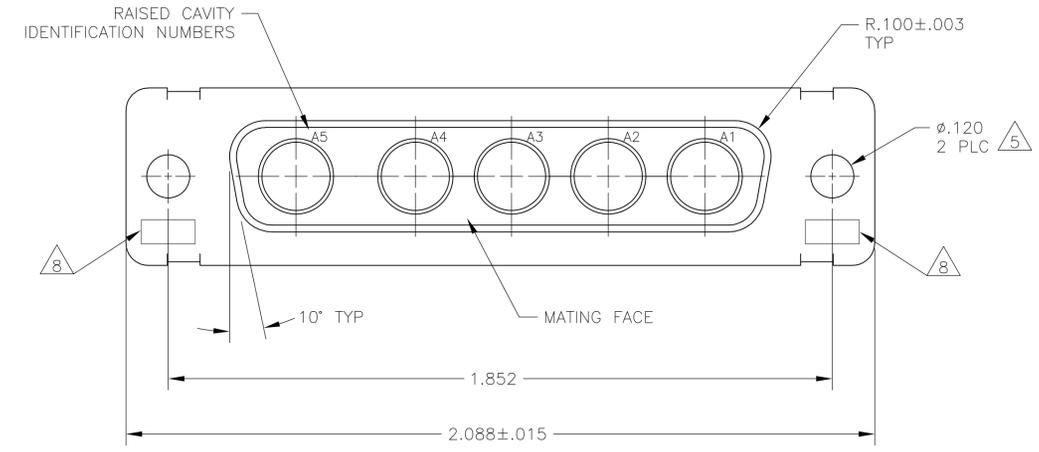


LOC		DIST		REVISIONS			
P	LTR	DESCRIPTION	DATE	DNW	APVD		
AK	REV PER ECO-15-016251		13NOV15	KG	CD		

1. THIS RECEPTACLE WILL MATE WITH ANY 5C5, SIZE 3 PLUG IN AMPLIMITE SERIES.
2. USE (5) POWER 8, OR COAX SOCKET CONTACTS. CONSULT PRODUCT ENGINEERING FOR MORE DETAILS.
3. CADMIUM PER QQ-P-416.
4. FINISH: TIN PER ASTM-B-545 .000200 MIN THK OVER COPPER PER AMS2418 .000100-.000200 THK.
5. ALL EXCEPT FOR 212059-5 AND 212059-6.
6. 4-40 UNC-3B CLINCH NUT, 2 REQ'D.
7. CUSTOMER PART NO. INK STAMPED FAR SIDE.
8. UL/CSA DESIGNATION STAMPED IN THIS AREA, OPTIONAL.
9. STEEL PER ASTM-A-109.
10. BRASS PER ASTM-B-36.
11. GOLD PLATED PER MIL-G-45204 OVER COPPER PER AMS2418.
12. FINISH: TIN PER ASTM-B-545 .000400 MIN THK OVER COPPER PER AMS2418 .000050 MIN THK.
13. ZINC PLATE PER ASTM-B-633, .000200-.000400 THK WITH SUPPLEMENTARY CHROMATE (Cr3+)



CLINCH NUT #4-40UNC
 2 REQ'D
 MAT'L: CARBON STEEL
 FINISH: PLATED ZINC
 YELLOW CHROMATE
 212059-5 ONLY

CUSTOMER PART NO	REMARKS	PART NO.
-	5 6 9 12	5-212059-5
-	9 13	5-212059-1
B010942-0008	7 10 11	1-212059-3
B010942-0007	7 10 11	1-212059-1
-	9 12	1-212059-0
-	9 12	212059-9
-	-	212059-8
B010942-0016	7 10 11	212059-7
311P405-10S-B-15	7 10 11	212059-6
-	4 5 6 9	212059-5
97942-645A935H01	3 7 9	212059-4
-	4 9	212059-3
311P405-10S-B-12	7 10 11	212059-2
-	3 9	212059-1
CUSTOMER PART NO	REMARKS	PART NO.

THIS DRAWING IS A CONTROLLED DOCUMENT.

DIMENSIONS: INCHES	TOLERANCES UNLESS OTHERWISE SPECIFIED:	DIN T. SHUEY 14JAN88	CHK A. EMADI 26JAN88	TE Connectivity	
0 PLC ± -	1 PLC ± -	APVD A. EMADI 26JAN88	NAME	RECEPTACLE ASSEMBLY	
2 PLC ± -	3 PLC ± .005	PRODUCT SPEC		AMPLIMITE 5C5	
4 PLC ± -	ANGLES ± # 0'30"	APPLICATION SPEC		SERIES 109, SIZE 3, COAX MIX	
MATERIAL	FINISH	SIZE	CAGE CODE	DRAWING NO	RESTRICTED TO
-	-	A1	00779	212059	-
CUSTOMER DRAWING		SCALE	SHEET	REV	AK
		4:1	1 OF 1		

X-ON Electronics

Largest Supplier of Electrical and Electronic Components

Click to view similar products for [D-Sub MIL Spec Connectors](#) category:

Click to view products by [TE Connectivity](#) manufacturer:

Other Similar products are found below :

[M85049/50-5F](#) [D38999/24WG11PB-LC](#) [MDM-9SH006A](#) [1218697-4](#) [D38999/26WJ61PC L/C](#) [1484349-1](#) [17D25HV](#) [1996840-1](#) [243082-15](#)
[1757682-1](#) [17D-E51218-1](#) [17SDA15S](#) [1883533-1](#) [1883886-1](#) [1883889-1](#) [192900-0377](#) [M24308/8-347](#) [M83513/03-E09C](#) [443961-3](#) [5-](#)
[1218949-1](#) [550-031NF1R6K](#) [3-1236089-2](#) [550E001NF1R3J0L](#) [550T001NF1R6K0L](#) [557T283NF5B08](#) [DB121073-56](#) [DC121073157](#)
[443869-3](#) [443869-4](#) [443869-5](#) [550S004NF1R1B0F03](#) [557E283NF1A06](#) [527-019NF0303R2K1F](#) [5-446405-1](#) [550-031NF1R2E](#)
[550E003M2R9J0F04](#) [550E003M3R9J0F05](#) [550E024M104R9J0](#) [550E024NF102R3J0B](#) [550E039NF1R3J1-02](#) [550S003M3R9B0F05](#)
[550S004M4R7M0F04](#) [550S004NF1R1B1F02](#) [550S008M3F0K0F04](#) [550S086M5R3J0L](#) [550S100NF3F0E](#) [550T001M2R7E0L](#)
[550T001NF1F0B1L](#) [550T001NF1R1K0G](#) [550T001NF1R3K0G](#)