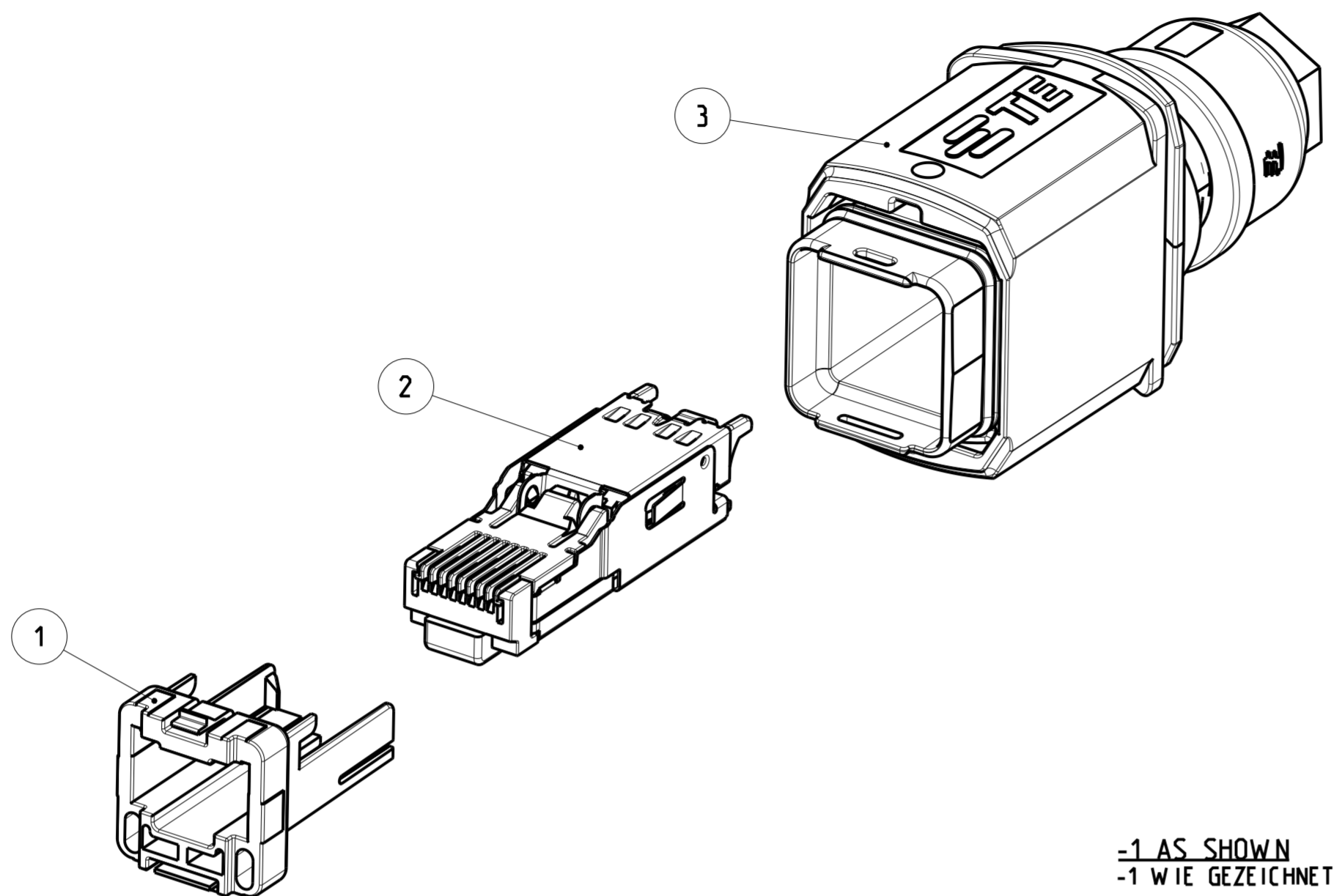


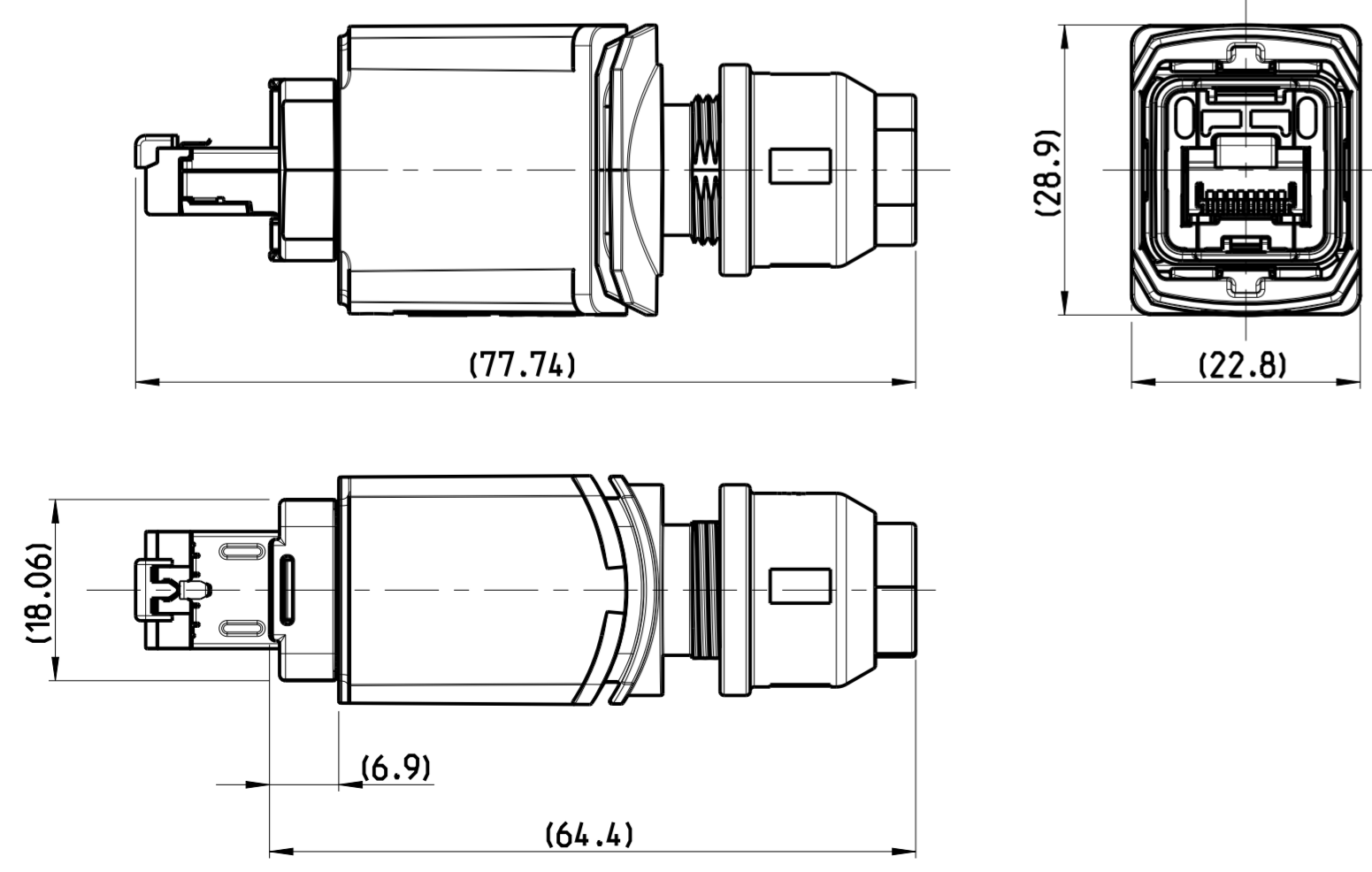
REVISIONS		DATE	DWN	APVD
ÄNDERUNGEN				
P	LTR	DESCRIPTION		
		BESCHREIBUNG		
A1		DRAWING ACTIVATED	18JUN2014	ER CS
A2		VARIANT 1--1 ADDED	29MAR2016	ER MS
B1		PCN :E-20-007322	16DEC2020	SS MSZ
B2		PCN E-20-002171	08MAR2021	SS JDB



-1 AS SHOWN  
-1 WIE GEZEICHNET

- ⚠ **MOUNTING-CYCLE:**  
- APPLICATION SEE INSTRUCTION SHEET 411-18564
- 2 **PACKAGING:**  
- CONNECTOR SET PACKED INTO BLISTER PACKAGE.  
- BLISTER PACKAGE PACKED INTO CARTON
- 3 RJ45 APPLICATION ACC. IEC 60076-3-117 AND INTERFACE DIM.
- ⚠ **NOT SHOWN**
- ⚠ **MONTAGE:**  
- VERARBEITUNG SIEHE MONTAGEANWEISUNG 411-18564
- 2 **VERPACKUNG:**  
- STECKER SET IN BLISTERVERPACKUNG VERPACKT  
- BLISTERVERPACKUNG TRAY IN KARTON VERPACKT
- 3 RJ45 ANWENDUNG NACH IEC 60076-3-117 UND SCHNITTSTELLENMASSE
- ⚠ **NICHT DARGESTELLT**

**DIMENSION IN ASSEMBLED CONDITION**  
**MASSE IM ASSEMBLIERTEN ZUSTAND**  
SCALE / M 3:2



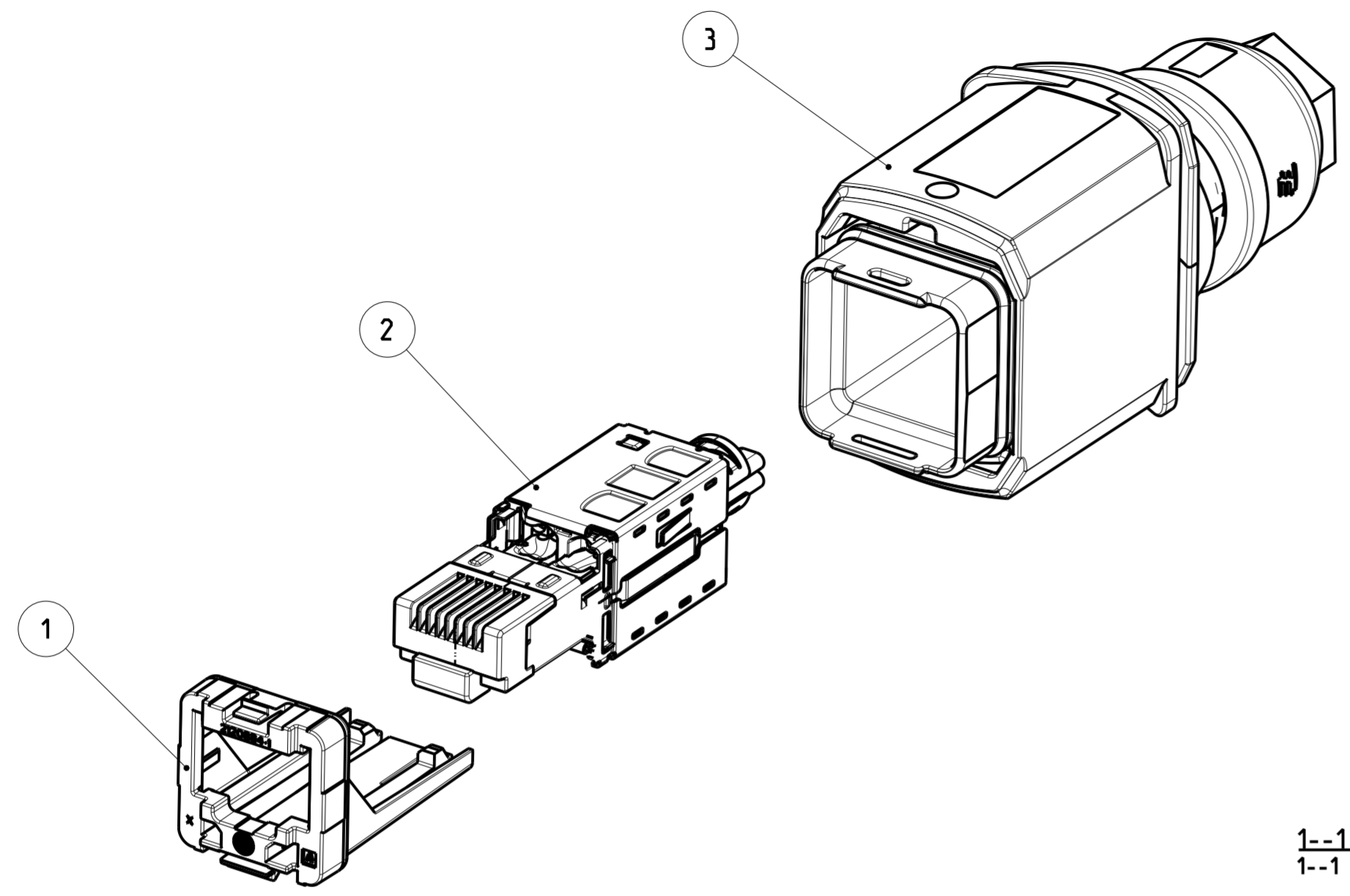
Size ISO 14405 (E)

		2120864-1	TE ORDER-NO. BESTELL-NR.		
-	-	1	5	BLISTER PACKAGE BLISTERVERPACKUNG	
-	-	1	4	INSTRUCTION SHEET MONTAGEANWEISUNG	
-	-	1	3	PUSH PULL. SUB-ASSY PUSH PULL. SUB-ASSY	
-	-	1	2	COMMON CORE ASSY 8POS.. GIGABIT GEM. KERN ASSY 8POL.. GIGABIT	
-	-	1	1	ADAPTER RJ45, CAT5e PLUG, VARIANT 14 ADAPTER RJ45, CAT5e STECKER, VARIANTE 14	
QUANTITY STUECK	ITEM-NO. POS.	DESCRIPTION BENENNUNG		SURFACE OBERFLAECHE COLOUR/FARBE	MATERIAL
				BLACK SCHWARZ	ZPO4.10 DIN 12833 PBT-GF20

THIS DRAWING IS A CONTROLLED DOCUMENT. DIMENSIONING AND TOLERANCING PER GPS (ISO STANDARDS).

DIMENSIONS: MASSE/MASSSTAB: [mm]	TOLERANCES UNLESS OTHERWISE SPECIFIED: ALLGEMEINTOLERANZEN	DWN S. HASS 20SEP2013	TE Connectivity													
<table border="1"> <tr><td>0 PLC</td><td>±0.2</td></tr> <tr><td>1 PLC</td><td>±0.2</td></tr> <tr><td>2 PLC</td><td>±0.2</td></tr> <tr><td>3 PLC</td><td>±</td></tr> <tr><td>4 PLC</td><td>±</td></tr> </table>	0 PLC	±0.2		1 PLC	±0.2	2 PLC	±0.2	3 PLC	±	4 PLC	±	<table border="1"> <tr><td>ANGLES/WINKEL</td><td>±2°</td></tr> <tr><td>FINISH/OBERFLAECHE/FARBE</td><td></td></tr> </table>	ANGLES/WINKEL	±2°	FINISH/OBERFLAECHE/FARBE	
0 PLC	±0.2															
1 PLC	±0.2															
2 PLC	±0.2															
3 PLC	±															
4 PLC	±															
ANGLES/WINKEL	±2°															
FINISH/OBERFLAECHE/FARBE																
MATERIAL		APVD C. SCHRETTLINGER 20SEP2013	NAME VARIANT 14. PLUG METAL VARIANTE 14. PLUG METALL RJ45, CAT5e, 8POS. GIGABIT													
		PRODUCT SPEC 108-94207	SIZE A2													
		APPLICATION SPEC	CAGE CODE 00779													
		WEIGHT 78.6g	DRAWING NO. C-2120864													
		Customer Drawing	RESTRICTED TO MUR FUER -													
			SCALE 2:1													
			SHEET 1 OF 5													
			REV B2													

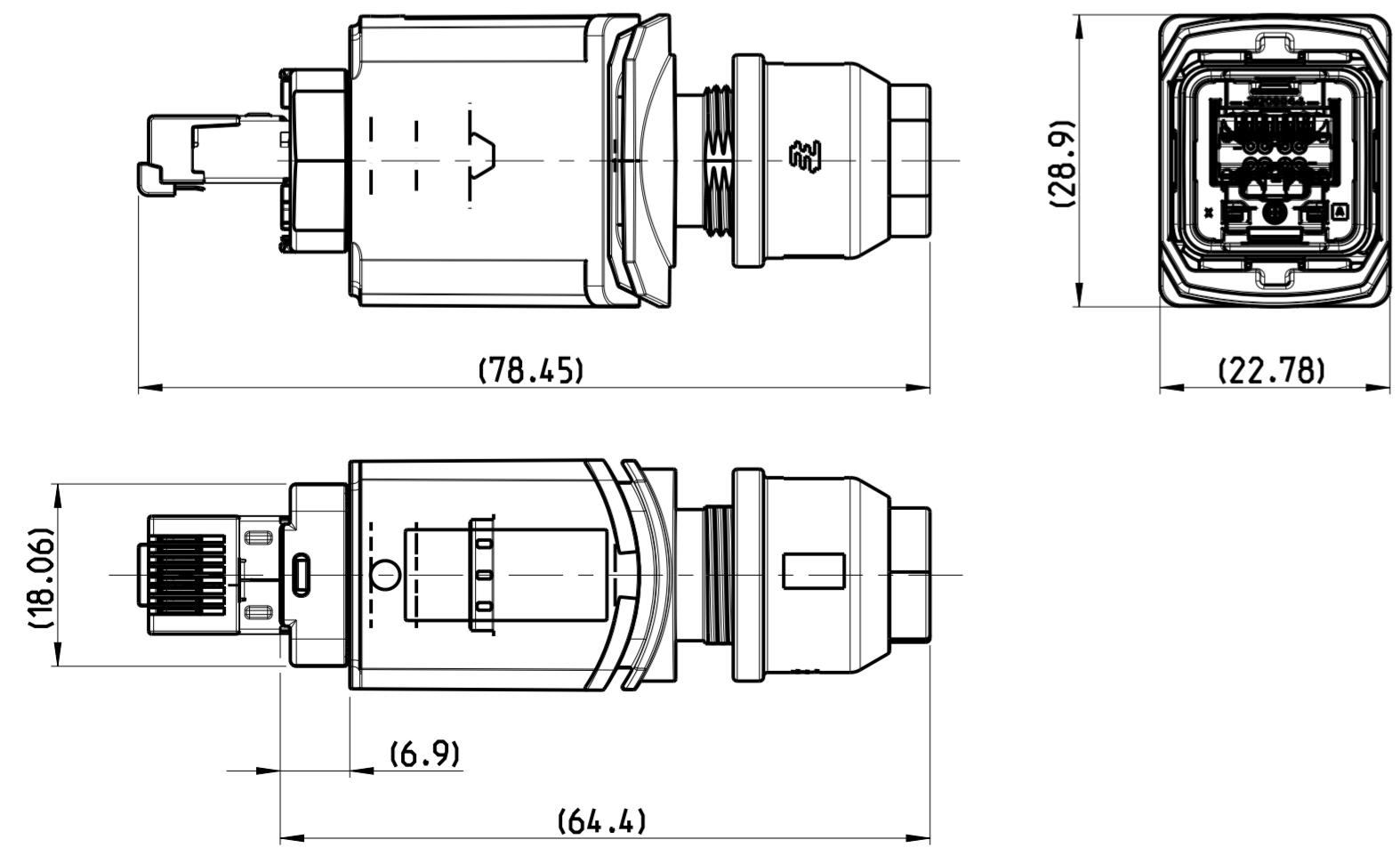
REVISIONS		DATE	DWN	APVD
NO.	DESCRIPTION			
1	SEE SHEET 1	-	-	-



1--1 AS SHOWN  
 1--1 WIE GEZEICHNET

- ① MOUNTING-CYCLE:  
 - APPLICATION SEE INSTRUCTION SHEET 411-18566
- ② PACKAGING:  
 - CONNECTOR SET PACKED INTO BLISTER PACKAGE.  
 - BLISTER PACKAGE PACKED INTO CARTON
- ③ RJ45 APPLICATION ACC. IEC 60076-3-117 AND INTERFACE DIM.
- ④ NOT SHOWN
  
- ① MONTAGE:  
 - VERARBEITUNG SIEHE MONTAGEANWEISUNG 411-18566
- ② VERPACKUNG:  
 - STECKER SET IN BLISTERVERPACKUNG VERPACKT  
 - BLISTERVERPACKUNG TRAY IN KARTON VERPACKT
- ③ RJ45 ANWENDUNG NACH IEC 60076-3-117 UND SCHNITTSTELLENMASSE
- ④ NICHT DARGESTELLT

DIMENSION IN ASSEMBLED CONDITION  
 MASSE IM ASSEMBLIERTEN ZUSTAND  
 SCALE / M 3:2



Size ISO 14405 (E)

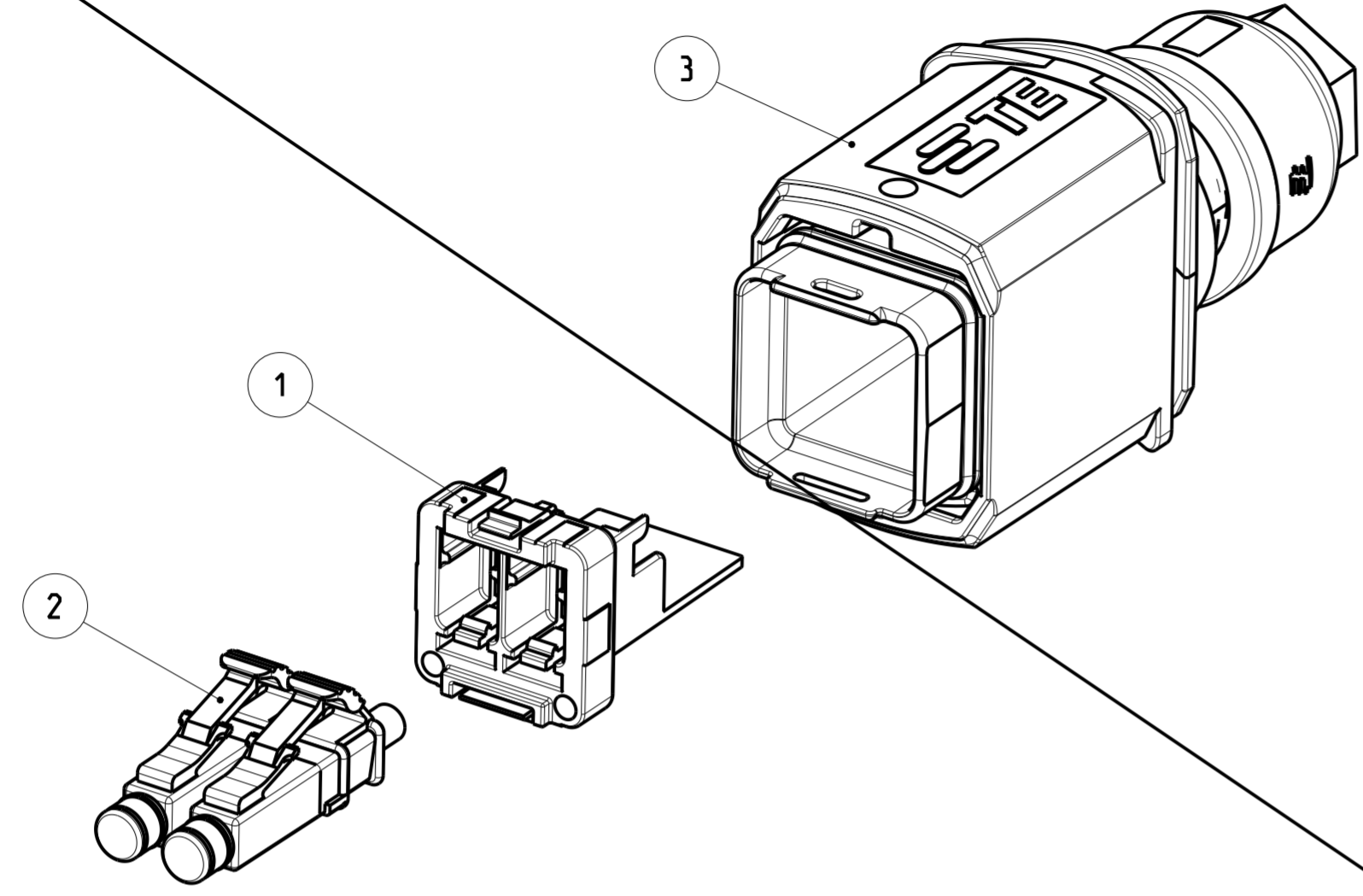
QUANTITY	ITEM-NO.	DESCRIPTION	TE ORDER-NO.	BESTELL-NR.
STUECK	POS.	BENENNUNG		
-	1	5 BLISTER PACKAGE BLISTERVERPACKUNG	④	-
-	1	4 INSTRUCTION SHEET MONTAGEANWEISUNG	①④	-
-	1	3 PUSH PULL. SUB-ASSY PUSH PULL. SUB-ASSY		3-5 μm Ni OVER 8 μm Cu ZP04.10 DIN 12833
-	1	2 COMMON CORE ASSY 8POS.. CAT6A GEM. KERN ASSY 8POL.. CAT6A		-
-	1	1 ADAPTER RJ45, CAT6A PLUG, VARIANT 14 ADAPTER RJ45, CAT6A STECKER, VARIANTE 14		BLACK SCHWARZ PBT-GF20
				SURFACE OBERFLAECHE MATERIAL COLOUR/FARBE

THIS DRAWING IS A CONTROLLED DOCUMENT. DIMENSIONING AND TOLERANCING PER GPS (ISO STANDARDS).

DIMENSIONS: MASSE/MASSEN: [mm]	TOLERANCES UNLESS OTHERWISE SPECIFIED: ALLGEMEINTOLERANZEN	DWN S. HASS 20SEP2013 CHK M. STRELOW 20SEP2013 APVD C. SCHRETLINGER 20SEP2013	NAME VARIANT 14. PLUG METAL VARIANTE 14. PLUG METALL RJ45, CAT6A, 8POS.
	0 PLC ±0.2 1 PLC ±0.2 2 PLC ±0.2 3 PLC ± 4 PLC ±	PRODUCT SPEC 108-94207	SIZE A2
	ANGLES/WINKEL ±2° FINISH/OBERFLAECHE/FARBE	APPLICATION SPEC VERARBEITUNGSSPEZ.	CAGE CODE 00779
MATERIAL		WEIGHT GEWICHT 83.0g	DRAWING NO. ZEICHNUNGS-NR. C-2120864
		Customer Drawing	RESTRICTED TO NUR FÜR - REV B2

SCALE MASSSTAB 2:1 SHEET BLATT 2 OF 5

P	LTR	REVISIONS ÄNDERUNGEN DESCRIPTION BESCHREIBUNG	DATE	DWH	APV
-	SEE SHEET 1				

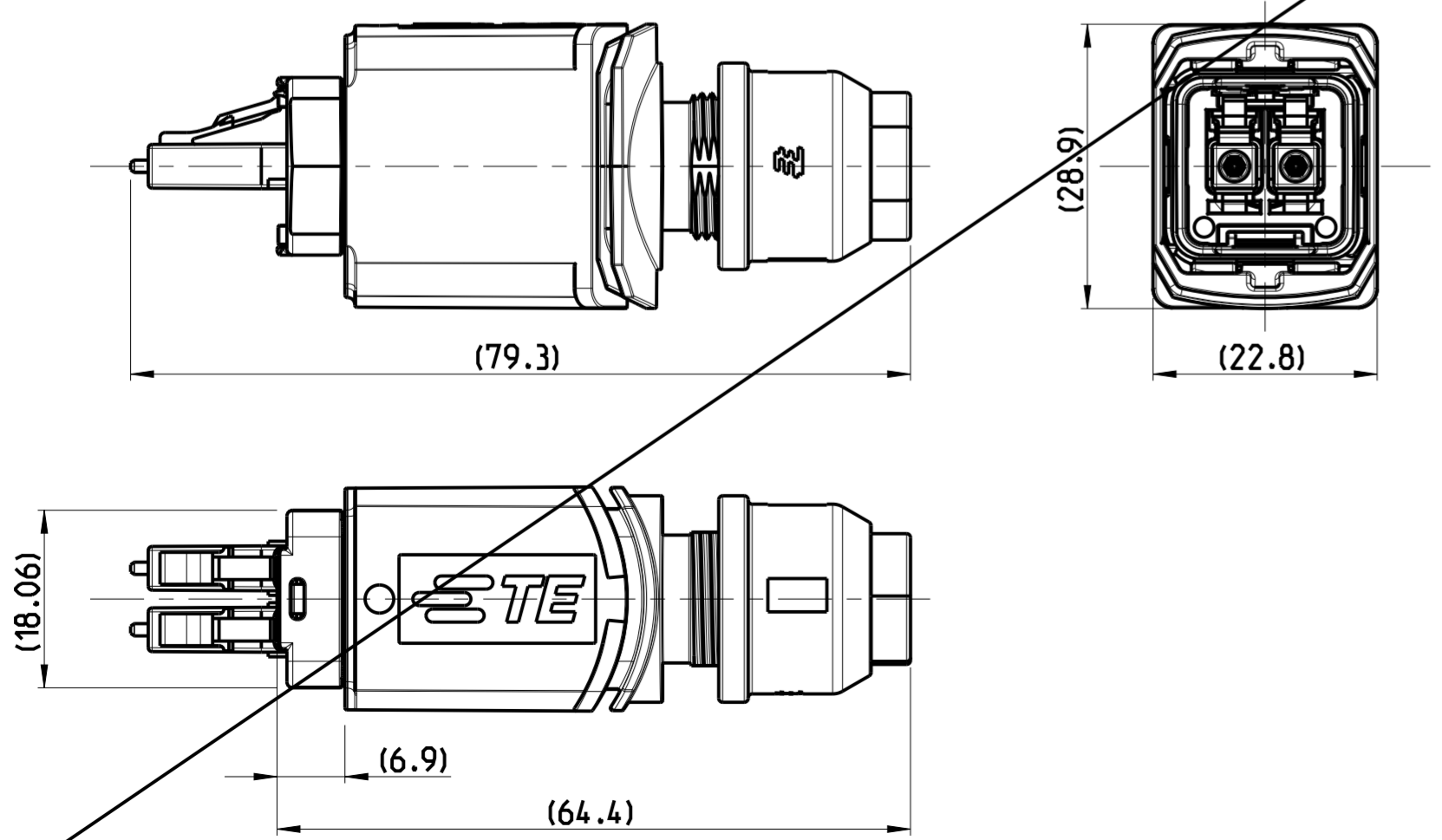


2--1 AS SHOWN  
2--1 WIE GEZEICHNET

- 1 MOUNTING-CYCLE:  
- APPLICATION SEE INSTRUCTION SHEET 411-18565
  - 2 PACKAGING:  
- CONNECTOR SET PACKED INTO BLISTER PACKAGE  
- BLISTER PACKAGE PACKED INTO CARTON
  - 3 CONNECTOR APPLICATION ACC. INSTRUCTION SHEET 408-8925
  - 4 NOT SHOWN
- 
- 1 MONTAGE:  
- VERARBEITUNG SIEHE MONTAGEANWEISUNG 411-18565
  - 2 VERPACKUNG:  
- STECKER SET IN BLISTERVERPACKUNG VERPACKT  
- BLISTERVERPACKUNG IN KARTON VERPACKT
  - 3 STECKVERBINDER MONTAGE NACH ARBEITSANWEISUNG 408-8925
  - 4 NICHT DARGESTELLT

# OBSOLETE

DIMENSION IN ASSEMBLED CONDITION  
MASSE IM ASSEMBLIERTEN ZUSTAND  
SCALE / M 3:2



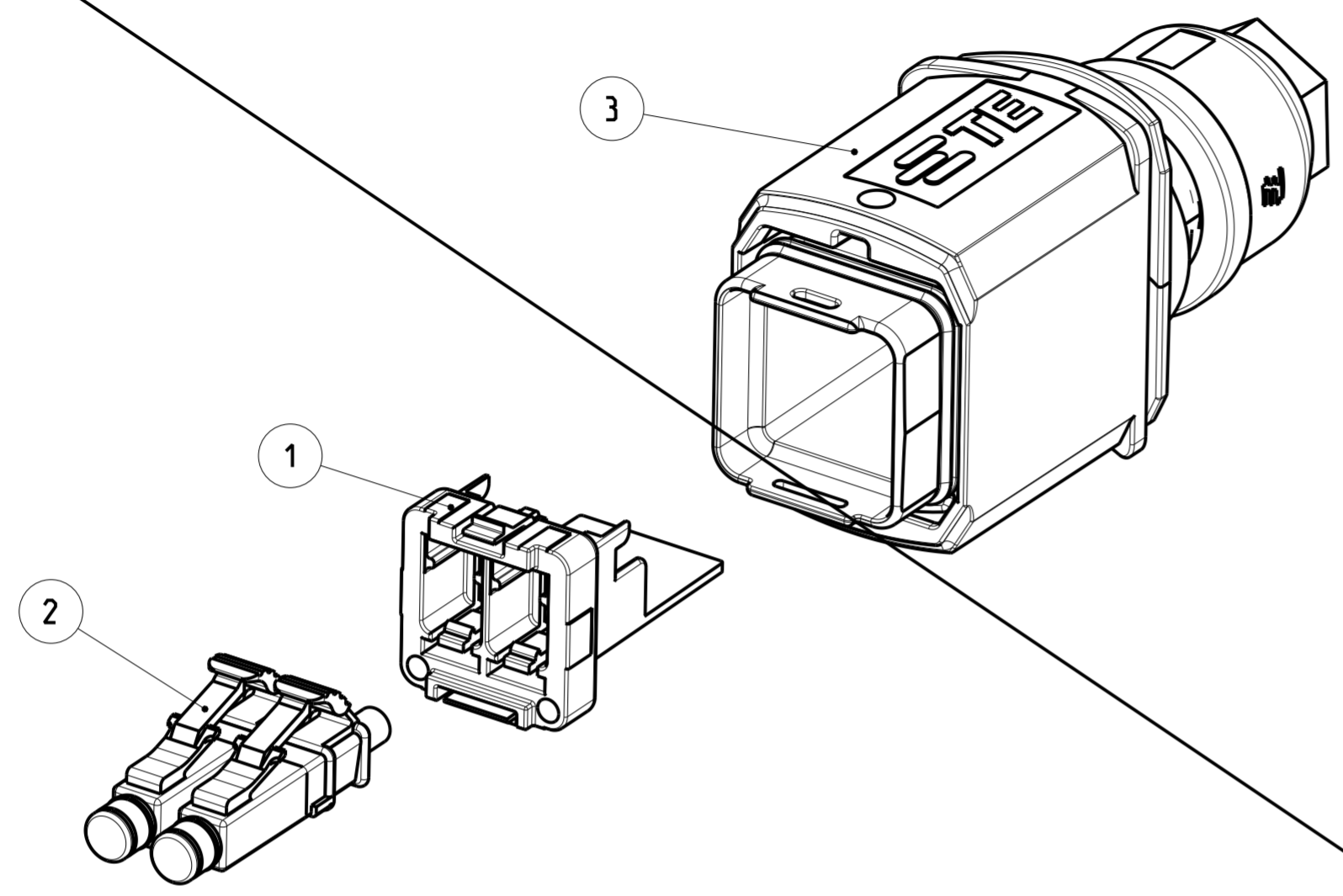
Size ISO 14405 (E)

QUANTITY STÜCK		ITEM-NO. POS.	DESCRIPTION BENENNUNG	SURFACE OBERFLÄCHE COLOUR/FARBE	MATERIAL
-	-	1	5 BLISTER PACKAGE BLISTERVERPACKUNG	-	-
-	-	1	4 INSTRUCTION SHEET MONTAGEANWEISUNG	-	-
-	-	1	3 PUSH PULL. SUB-ASSY PUSH PULL. SUB-ASSY	3-5 µm Ni OVER 8 µm Cu	ZP0410 DIN 12833
-	-	2	2 CONNECTOR ASSEMBLY ONE-PIECE LC. SINGLE MODE GLASFASERVERBINDER. LC. SINGLEMODE	BLUE BLAU	-
-	-	1	1 ADAPTER FIBER OPTIC PLUG. VARIANTE 14 ADAPTER FIBER OPTIC STECKER. VARIANTE 14	BLACK SCHWARZ	PBT-GF20

THIS DRAWING IS A CONTROLLED DOCUMENT. DIMENSIONING AND TOLERANCING PER GPS (ISO STANDARDS).		DWH S. HASS 20SEP2013	<p>TE Connectivity</p>
DIMENSIONS: MASSE/WEITEN: (MM)		CHK M. STRELOW 20SEP2013	
TOLERANCES UNLESS OTHERWISE SPECIFIED: ALLGEMEINTOLERANZEN		APV C. SCHRETTLINGER 20SEP2013	
0 PLC ±0.2 1 PLC ±0.2 2 PLC ±0.2 3 PLC ± 4 PLC ± ANGLES/WINKEL ±2° FINISH/OBERFLÄCHE/FARBE		NAME VARIANTE 14. PLUG METAL VARIANTE 14. PLUG METAL FIBER OPTIC. LC. SINGLE MODE (BLUE)	
MATERIAL	-	WEIGHT 74.9g	RESTRICTED TO MUR FUER
Customer Drawing		SIZE A2 CAGE CODE 00779 DRAWING NO. C-2120864	SCALE MASSSTAB 2:1 SHEET BLATT 3 OF VON 5 REV. B2

P	LTR	REVISIONS ÄNDERUNGEN DESCRIPTION BESCHREIBUNG	DATE	DWH	APVD
-	-	SEE SHEET 1	-	-	-

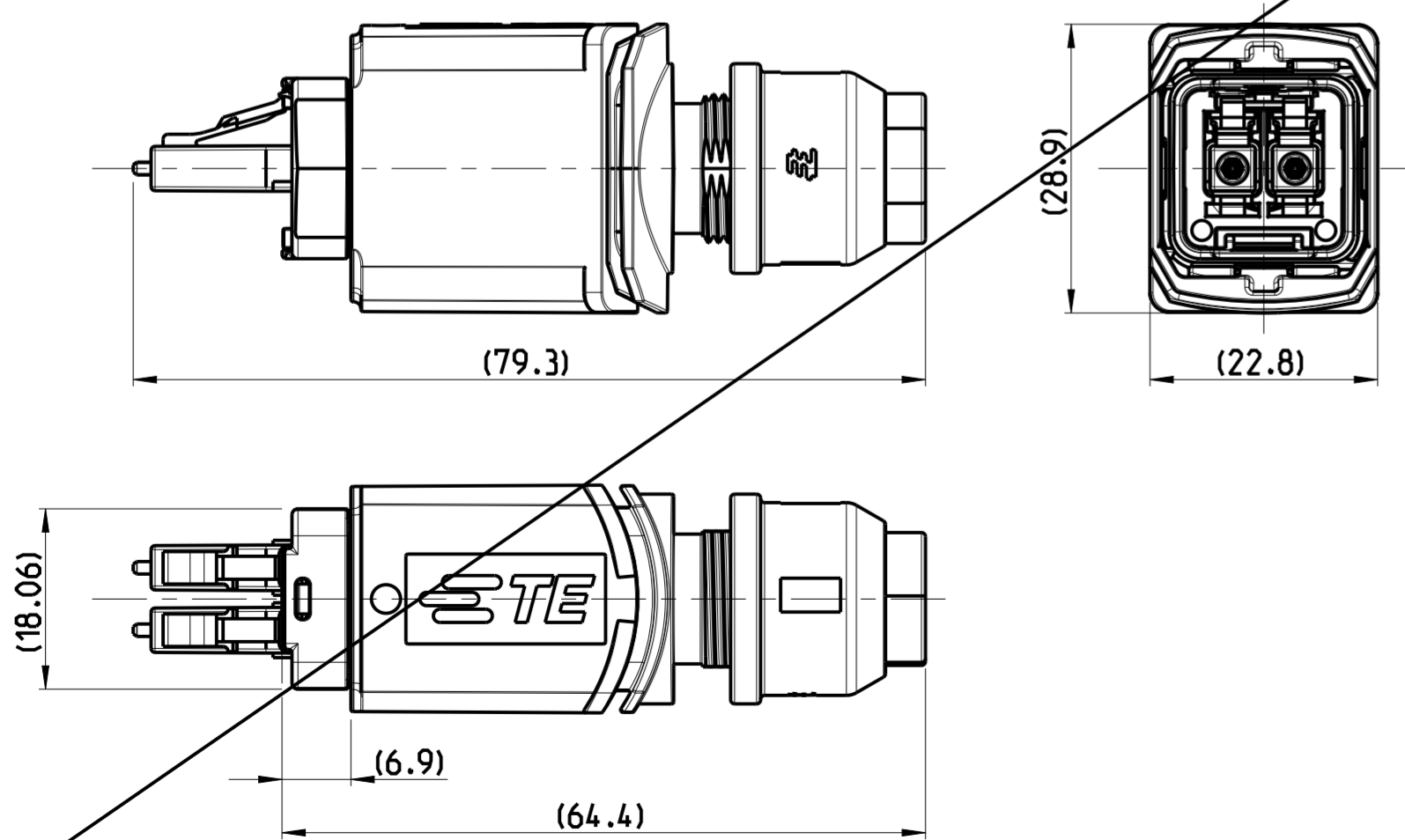


- 1 MOUNTING-CYCLE:  
- APPLICATION SEE INSTRUCTION SHEET 411-18565
  - 2 PACKAGING:  
- CONNECTOR SET PACKED INTO BLISTER PACKAGE  
- BLISTER PACKAGE PACKED INTO CARTON
  - 3 CONNECTOR APPLICATION ACC. INSTRUCTION SHEET 408-8925
  - 4 NOT SHOWN
- 
- 1 MONTAGE:  
- VERARBEITUNG SIEHE MONTAGEANWEISUNG 411-18565
  - 2 VERPACKUNG:  
- STECKER SET IN BLISTERVERPACKUNG VERPACKT  
- BLISTERVERPACKUNG IN KARTON VERPACKT
  - 3 STECKERVERBINDER MONTAGE NACH ARBEITSANWEISUNG 408-8925
  - 4 NICHT DARGESTELLT

3-1 AS SHOWN  
3-1 WIE GEZEICHNET

# OBSOLETE

DIMENSION IN ASSEMBLED CONDITION  
MASSE IM ASSEMBLIERTEN ZUSTAND  
SCALE / M 3:2



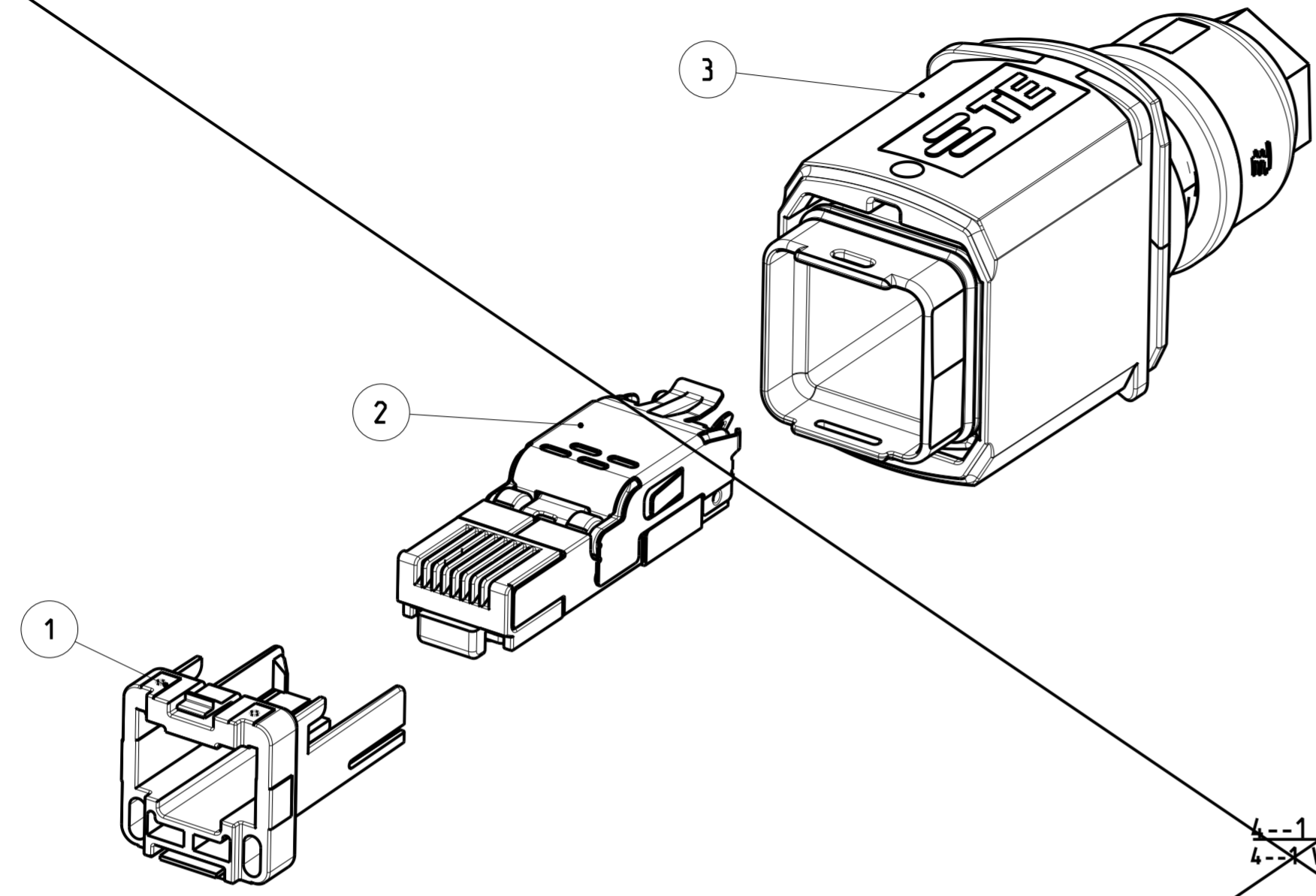
QUANTITY STÜCK	ITEM-NO. POS.	DESCRIPTION BENENNUNG	SURFACE OBERFLÄCHE COLOUR/FARBE	MATERIAL
-	-	3-2120864-1	TE ORDER-NO. BESTELL-NR.	
-	1	5 BLISTER PACKAGE BLISTERVERPACKUNG	-	-
-	1	4 INSTRUCTION SHEET MONTAGEANWEISUNG	-	-
-	1	3 PUSH PULL, SUB-ASSY PUSH PULL, SUB-ASSY	3-5 µm Ni OVER 8 µm Cu	ZP0410 DIN 12833
-	2	2 CONNECTOR ASSEMBLY ONE-PIECE LC, MULTI MODE GLASFASERVERBINDER, LC, MULTIMODE	BLACK SCHWARZ	-
-	1	1 ADAPTER FIBER OPTIC PLUG, VARIANT 14 ADAPTER FIBER OPTIC PLUG, VARIANTE 14	BLACK SCHWARZ	PBT-GF20

THIS DRAWING IS A CONTROLLED DOCUMENT. DIMENSIONING AND TOLERANCING PER GPS (ISO STANDARDS).		DWH S. HASS 20SEP2013	TE Connectivity
DIMENSIONS: MASSE/WEITEN: IT/III		CHK M. STRELOW 20SEP2013	
TOLERANCES UNLESS OTHERWISE SPECIFIED: ALLGEMEINTOLERANZEN		APVD C. SCHRETTLINGER 20SEP2013	
0 PLC ±0.2 1 PLC ±0.2 2 PLC ±0.2 3 PLC ± 4 PLC ± ANGLES/WINKEL ±2° FINISH/OBERFLÄCHE/FARBE		PRODUCT SPEC 108-94207 APPLICATION SPEC VERARBEITUNGSSPEZ. WEIGHT GEWICHT 74.9g	NAME VARIANTE 14, PLUG METAL VARIANTE 14, PLUG METALL FIBER OPTIC, LC, MULTI MODE (BEIGE) SIZE A2 CAGE CODE 00779 DRAWING NO. ZEICHNUNGS-NR. C-2120864 RESTRICTED TO MUR FUER
MATERIAL		Customer Drawing	SCALE MASSSTAB 2:1 SHEET BLATT 4 OF 5 REV B2

Size ISO 14405 (E)

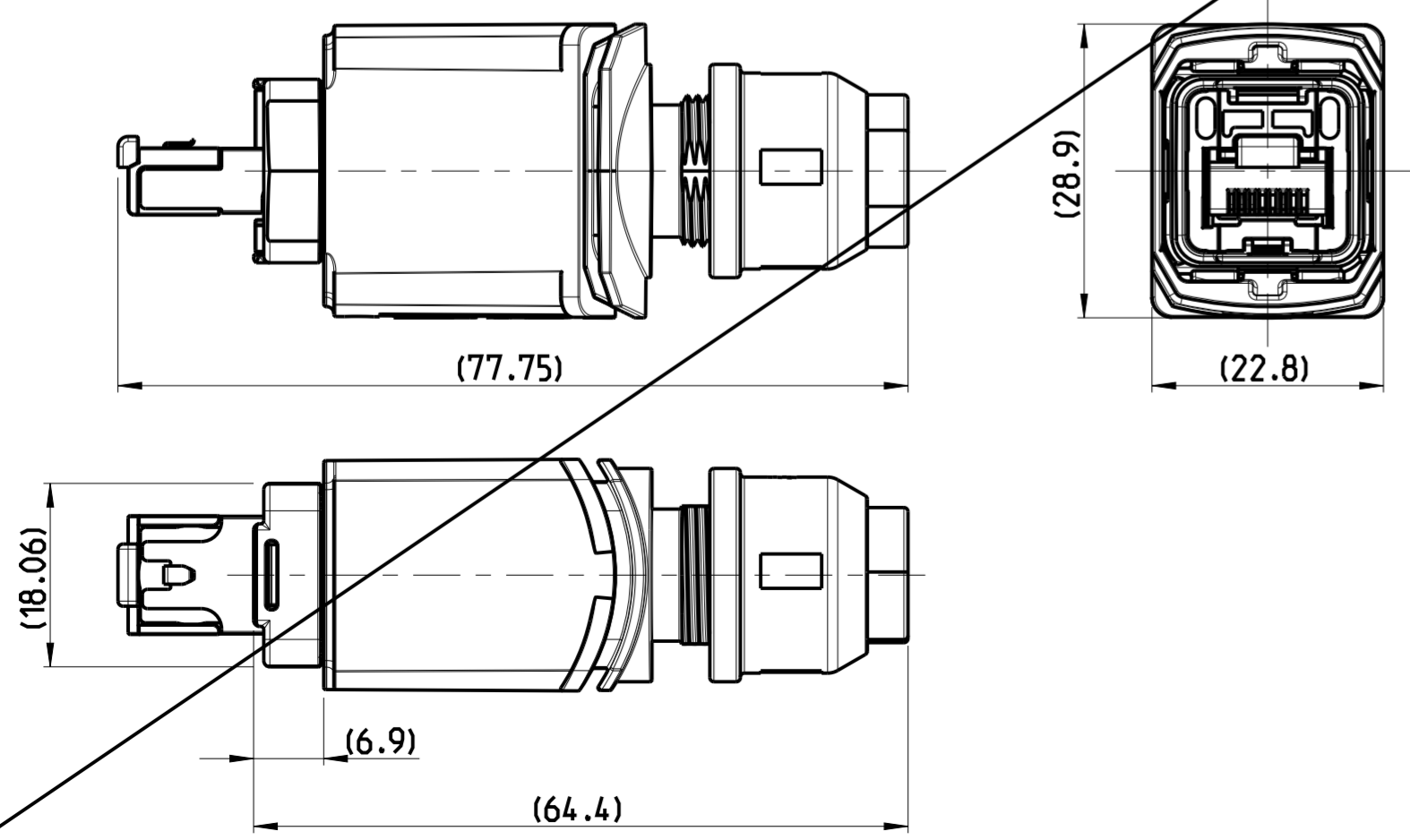
P	LTR	REVISIONS ÄNDERUNGEN	DESCRIPTION BESCHREIBUNG	DATE	DWH	APVD
-	-	SEE SHEET 1				



- 1 MOUNTING-CYCLE:  
- APPLICATION SEE INSTRUCTION SHEET 411-18564
  - 2 PACKAGING:  
- CONNECTOR SET PACKED INTO BLISTER PACKAGE  
- BLISTER PACKAGE PACKED INTO CARTON
  - 3 RJ45 APPLICATION ACC. IEC 60076-3-117 and INTERFACE DIM.
  - 4 NOT SHOWN
- 
- 1 MONTAGE:  
- VERARBEITUNG SIEHE MONTAGEANWEISUNG 411-18564
  - 2 VERPACKUNG:  
- STECKER SET IN BLISTERVERPACKUNG VERPACKT  
- BLISTERVERPACKUNG IN KARTON VERPACKT
  - 3 RJ45 ANWENDUNG NACH IEC 60076-3-117 UND SCHNITTSTELLENMASSE
  - 4 NICHT DARGESTELLT

# OBSOLETE

DIMENSION IN ASSEMBLED CONDITION  
MASSE IM ASSEMBLIERTEN ZUSTAND  
SCALE / M 3:2



QTY	ITEM-NO. POS.	DESCRIPTION	BENENNUNG	SURFACE	OBERFLÄCHE	MATERIAL
-	-	4-2120864-1	TE ORDER-NO. BESTELL-NR.			
-	1	5	BLISTER PACKAGE BLISTERVERPACKUNG	△4	-	-
-	1	4	INSTRUCTION SHEET MONTAGEANWEISUNG	△1 △4	-	-
-	1	3	PUSH PULL SUB-ASSY PUSH PULL SUB-ASSY		3-5 μm Ni OVER 8 μm Cu	ZP0410 DIN 12833
-	1	2	CORE 4POS. ASSY KERN 4POL. ASSY		-	-
-	1	1	ADAPTER RJ45, CAT5e, VARIANTE 14, PLUG ADAPTER RJ45, CAT5e, VARIANTE 14, STECKER		BLACK SCHWARZ	PBT-GF20
					COLOUR/FARBE	

THIS DRAWING IS A CONTROLLED DOCUMENT. DIMENSIONING AND TOLERANCING PER GPS (ISO STANDARDS).		DWH S. HASS 20SEP2013	 TE Connectivity
DIMENSIONS: MASSE/WEITEN: IT/III		CHK M. STRELOW 20SEP2013	
TOLERANCES UNLESS OTHERWISE SPECIFIED: ALLGEMEINTOLERANZEN		APVD C. SCHREITLINGER 20SEP2013	
0 PLC ±0.2 1 PLC ±0.2 2 PLC ±0.2 3 PLC ± 4 PLC ± ANGLES/WINKEL ±2° FINISH/OBERFLÄCHE/FARBE		PRODUCT SPEC 108-94207 APPLICATION SPEC VERARBEITUNGSSPEZ. WEIGHT GEWICHT 78.6g	
MATERIAL		Customer Drawing	NAME VARIANTE 14, PLUG METAL VARIANTE 14, PLUG METALL RJ45, CAT5e, 4POS SIZE A2 CAGE CODE 00779 DRAWING NO. ZEICHNUNGS-NR. C-2120864 RESTRICTED TO MUR FUER - SCALE MASSSTAB 2:1 SHEET BLATT 5 OF 5 REV B2

Size ISO 14405 (E)

## X-ON Electronics

Largest Supplier of Electrical and Electronic Components

*Click to view similar products for [Modular Connectors / Ethernet Connectors](#) category:*

*Click to view products by [TE Connectivity](#) manufacturer:*

Other Similar products are found below :

[8949-H88/06BLKA/SN](#) [74441-0010/BKN](#) [MP1010RX-1000](#) [MP44RX-1000](#) [PHJ-4P4C-1-V-4](#) [PHP-6P6C-5](#) [GAX-3-66](#) [GAX-8-62](#) [GDCX-PA-66-50](#) [GDCX-PN-64](#) [GDCX-PN-66](#) [GDCX-PN-66-50](#) [GDLX-A-66](#) [GDLX-N-66](#) [GDLX-S-66](#) [GDLX-S-88K](#) [GDTX-S-88-50](#) [GDX-PA-1010](#) [GLX-N-1010M-BLK](#) [GLX-S-88M-BLK](#) [GMX-N-1010](#) [GMX-S-1010](#) [GMX-S-66](#) [GMX-SMT4-N-88](#) [GPX-2-64](#) [GSGX-N-2-88](#) [GSGX-N-4-88](#) [GSX-NS2-88-3.05](#) [GSX-NS2-88-3.05-50](#) [GSX-NS-88-3.05-50](#) [PT-108A-8C-UL](#) [PT-J951-8C](#) [PTS-J531-8CS-50UL](#) [1-1775629-2](#) [A-2014-0-4](#) [GWLX-S-88-GR](#) [GWLX-S9-88-YG](#) [DC-1021-8-WH-6](#) [1300530003](#) [1324640-4](#) [RJ11FTVC2G](#) [RJ11FTVC2N](#) [RJFTVX2SA1G](#) [132764-001](#) [1413235](#) [MP88X-1000](#) [MPS88RX-5000](#) [E5288-S000K3-L](#) [E5908-15A242-L](#) [155302-001](#)