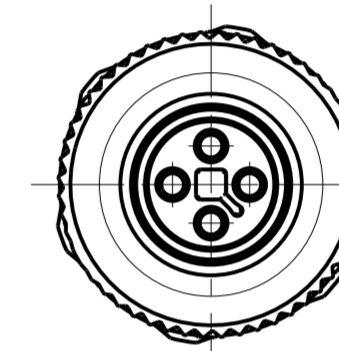
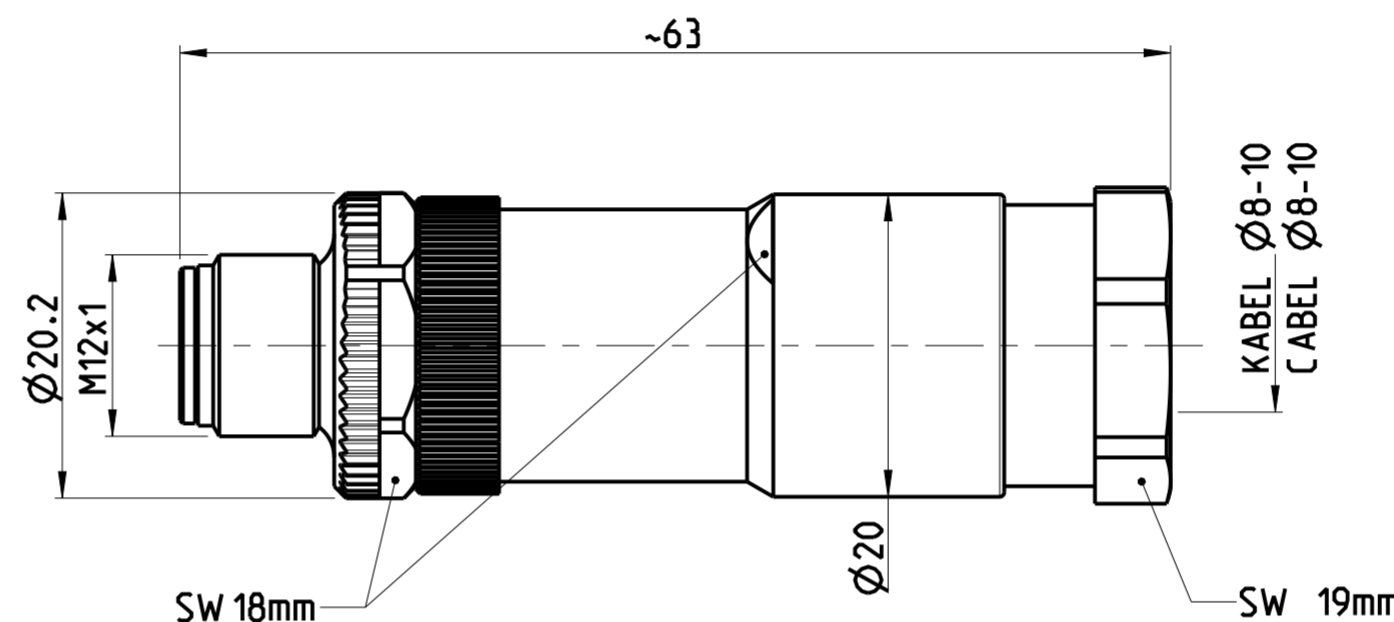
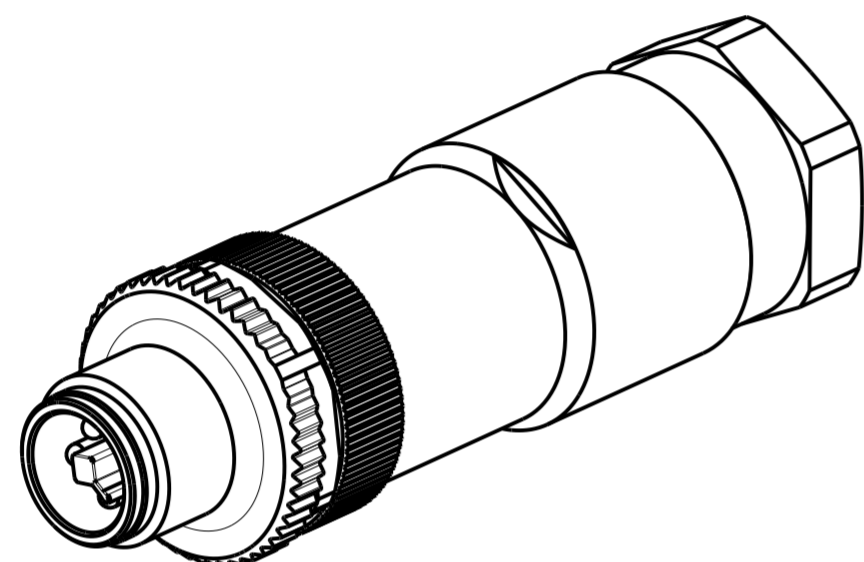


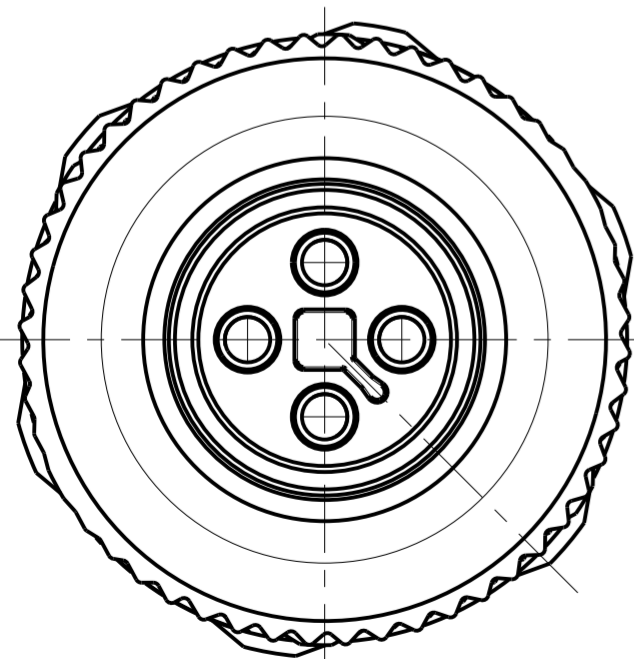
REVISIONS		DATE	DWN	APVD
ÄNDERUNGEN				
P	LTR	DESCRIPTION		
		BESCHREIBUNG		
	A1	NEW DRAWING	24 JUN2014	YR CS

- 1 MATERIAL: ITEM NO. 1: HOUSING - PA  
 ITEM NO. 2: CONTACT BODY - PA  
 ITEM NO. 3: CONTACT - CuZn (brass)  
 CONTACT FINISH - Au (gold)
- 2 ALL DIMENSIONS ARE FOR NOMINAL REFERENCE ONLY UNLESS OTHERWISE STATED
- 3 MEASUREMENT REFERENCE ONLY
- 4 PACKAGING: 1 PIECE IN A BAG



PIN ARRANGEMENT  
T-CODING (SCALE 4:1)

0-2120949-1



TECHNICAL DATA		0-2120949-1
RATED VOLTAGE	60V	
RATED IMPULSE VOLTAGE	1500V	
POLLUTION DEGREE	3	
OVERVOLTAGE CATEGORY	III	
MATERIAL GROUP	III	
RATED CURRENT	12A	
VOLUME RESISTIVITY	≤ 3mΩ	
DEGREE OF PROTECTION	IP67	
UPPER TEMPERATURE	+85 °C	
LOWER TEMPERATURE	-40 °C	

8-10	16 / 1.50	⚠	4	0-2120949-1
CABLE FEED-THROUGH mm	WIRES AWG / mm <sup>2</sup>	MATERIAL	NUMBER OF POLES	TE-PART-NO.

DIESE ZEICHNUNG IST EIN KONTROLLIERTES DOKUMENT. BEMASSUNGEN UND TOLERANZEN GEMAESS GPS (ISO STANDARDS).

THIS DRAWING IS A CONTROLLED DOCUMENT. DIMENSIONING AND TOLERANCING PER GPS (ISO STANDARDS).

DIMENSIONS: MASSE/MASSSTAB: (MM)	TOLERANCES UNLESS OTHERWISE SPECIFIED: ALLGEMEINTOLERANZEN	DWN YASHKUMAR 24 JUN2014
		CHK M.STRELOW 24 JUN2014
		APVD C.SCHREITLINGER 24 JUN2014
		NAME
		PRODUCT SPEC
		APPLICATION SPEC
		VERARBEITUNGSSPEZ.
MATERIAL	ANGLES/WINKEL	WEIGHT
	FINISH/OBERFLÄCHE/FARBE	GEWICHT
		Customer Drawing

**STE** TE Connectivity

M12 MALE CONNECTOR, STRAIGHT, FIELD INSTALLABLE, POWER, T-CODED

SIZE	CAGE CODE	DRAWING NO. ZEICHNUNGS-NR.	RESTRICTED TO MUR FUER
A2	00779	0-2120949	-
SCALE MASSSTAB	SHEET BLATT	OF VON	REV
2:1	1	1	A1

SIZE ISO 14405 (E)

## X-ON Electronics

Largest Supplier of Electrical and Electronic Components

*Click to view similar products for [Circular Metric Connectors](#) category:*

*Click to view products by [TE Connectivity](#) manufacturer:*

Other Similar products are found below :

[600X518037X](#) [6STD15PCR99B70A](#) [8R4000A16M020](#) [8R5000A16M005](#) [1200910002](#) [1203580030](#) [1200910008](#) [1200910011](#) [1300140094](#)  
[130203-0054](#) [1300140026](#) [1300150099](#) [RF-12S1N8A90DU](#) [1-3637-600-5205](#) [1612618](#) [21036836414](#) [8R4006A16M010](#) [8R5006A18A120](#)  
[1604232](#) [1R3006A20M005](#) [RF-12P1N8A80DU](#) [RF-12P1N8A90DU](#) [41-40011](#) [42-01015](#) [4-22279-4](#) [4-22281-1](#) [4-22284-9](#) [43-00113](#) [43-](#)  
[01088](#) [43-01203](#) [41-40013](#) [42-00008](#) [43-00343](#) [43-01032](#) [43-01162](#) [43-10000](#) [600X518050X](#) [SACC-DSI-FS-5P-PG9-L180 SC](#)  
[8R5006A16M020](#) [8R5006A16M005](#) [8R4000A16M010](#) [6-22279-3](#) [1605332](#) [N03FA03144](#) [1300140077](#) [43-01338](#) [XS2RD4265](#) [RSC 4/9](#)  
[XS2R-D426-1](#) [XS8A-0441](#)