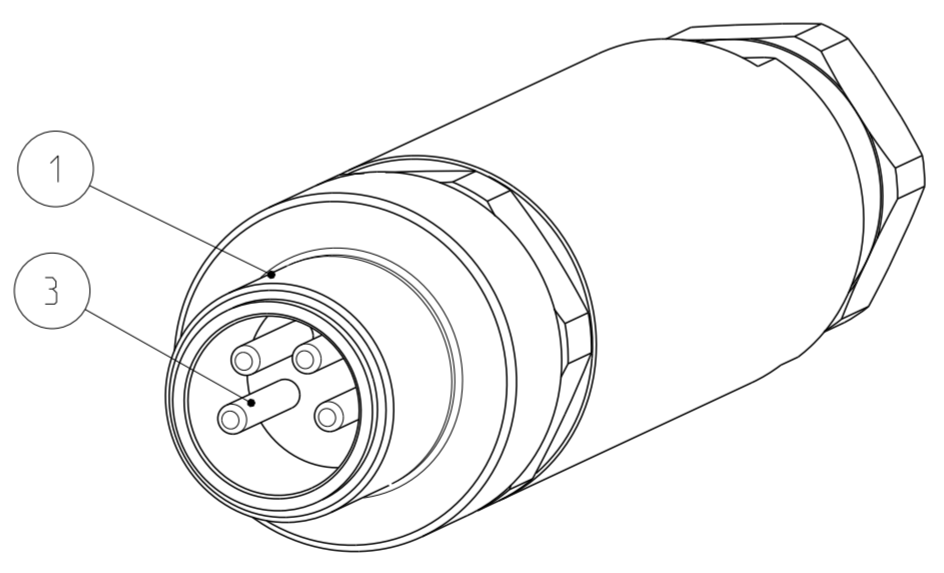
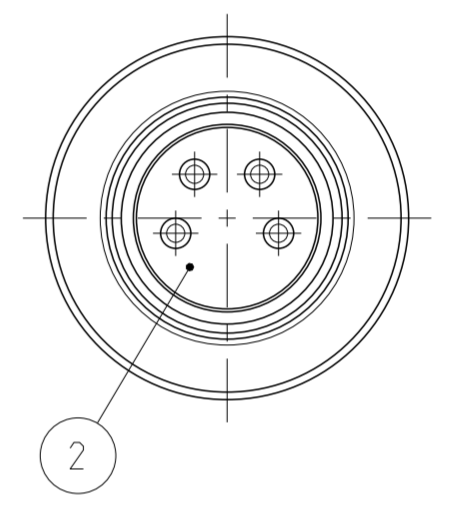
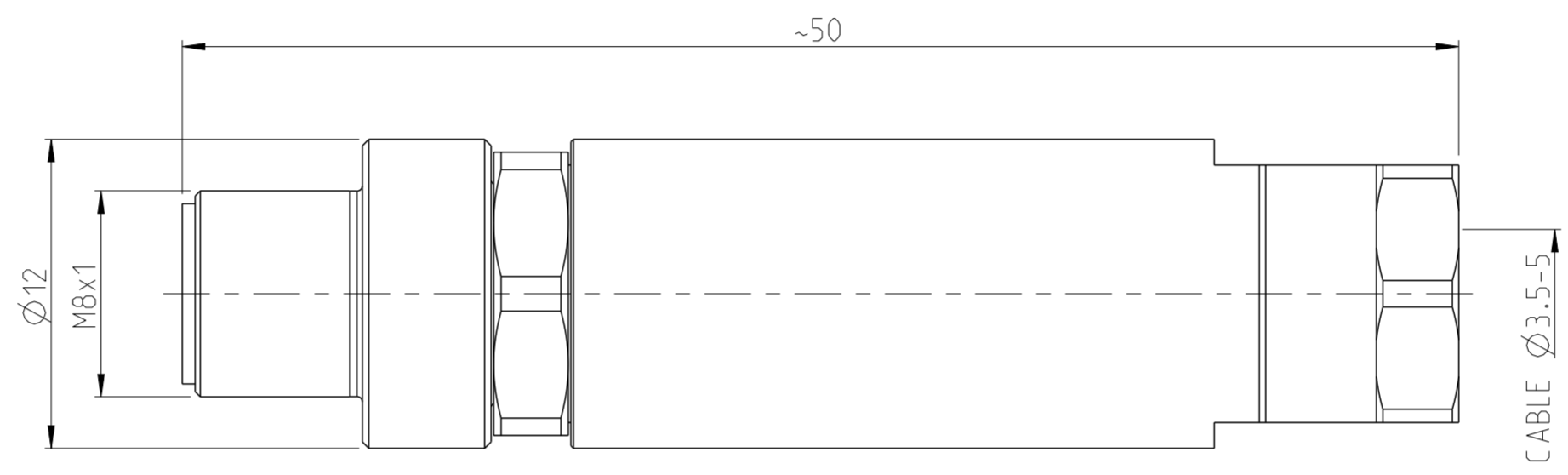


REVISIONS				
ÄNDERUNGEN				
P	LTR	DESCRIPTION	DATE	APVD
	A1	NEW DRAWING	07MAY2014	YR CS

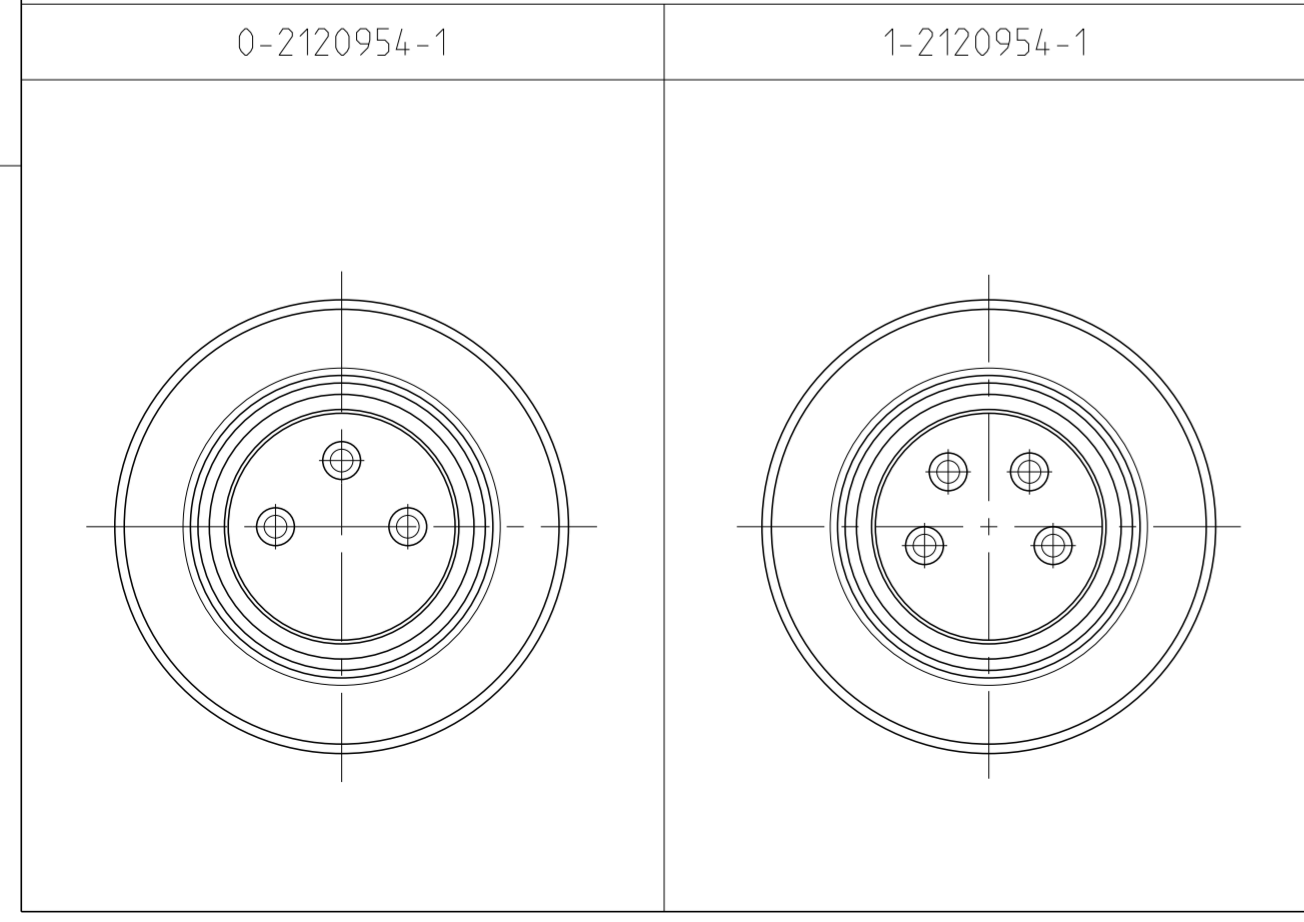
1 MATERIAL: ITEM NO. 1: HOUSING - PBT/PA  
 ITEM NO. 2: CONTACT BODY - PA  
 ITEM NO. 3: CONTACT - CuZn (brass)  
 CONTACT FINISH - Au (gold)

- 2 ALL DIMENSIONS ARE FOR NOMINAL REFERENCE ONLY UNLESS OTHERWISE STATED
- 3 MEASUREMENT REFERENCE ONLY
- 4 PACKAGING: 1 PIECE IN A BAG

TECHNICAL DATA	0-2120954-1	1-2120954-1
RATED VOLTAGE	60V	30V
RATED IMPULSE VOLTAGE	800V	800V
POLLUTION DEGREE	3	3
OVERVOLTAGE CATEGORY	II	II
MATERIAL GROUP	III	III
RATED CURRENT	4A	4A
VOLUME RESISTIVITY	≤ 3mΩ	≤ 3mΩ
DEGREE OF PROTECTION	IP67	IP67
UPPER TEMPERATURE	+85 °C	+85 °C
LOWER TEMPERATURE	-40 °C	-40 °C



PIN ARRANGEMENT (SCALE 5:1)



3.5-5	26-20 / 0,14-0,5mm <sup>2</sup>	1	4	1-2120954-1
3.5-5	26-20 / 0,14-0,5mm <sup>2</sup>	1	3	0-2120954-1
CABLE FEED-THROUGH mm	WIRES AWG / mm <sup>2</sup>	MATERIAL	NUMBER OF POLES	TE-PART-NO.

1-1 AS SHOWN WIE GEZEICHNET

DIESE ZEICHNUNG IST EIN KONTROLLIERTES DOKUMENT. BEMASSUNGEN UND TOLERANZEN GEMAESS GPS (ISO STANDARDS). THIS DRAWING IS A CONTROLLED DOCUMENT. DIMENSIONING AND TOLERANCING PER GPS (ISO STANDARDS).

APVD: YASHKUMAR 07MAY2014, M. STRELOW 07MAY2014, C. SCHRETLINGER 07MAY2014

TE Connectivity

**OBSELETE** MB MALE STRAIGHT, FIELD INSTALLABLE, UNSHIELDED CONNECTOR, SOLDER TERMINALS. **NOT THE LATEST REVISION**

Customer Drawing

SCALE: 4:1, SHEET 1 OF 1, REV A1

SIZE ISO 14405 (E)

## X-ON Electronics

Largest Supplier of Electrical and Electronic Components

*Click to view similar products for [Circular Metric Connectors](#) category:*

*Click to view products by [TE Connectivity](#) manufacturer:*

Other Similar products are found below :

[600X518037X](#) [6STD15PCR99B70A](#) [8R4000A16M020](#) [8R5000A16M005](#) [1200910002](#) [1203580030](#) [1200910008](#) [1200910011](#) [1300140094](#)  
[130203-0054](#) [1300140026](#) [1300150099](#) [RF-12S1N8A90DU](#) [1-3637-600-5205](#) [1612618](#) [21036836414](#) [8R4006A16M010](#) [1604232](#)  
[1R3006A20M005](#) [RF-12P1N8A80DU](#) [RF-12P1N8A90DU](#) [41-40011](#) [42-00006](#) [42-01015](#) [4-22279-4](#) [4-22281-1](#) [4-22284-9](#) [43-00113](#) [43-](#)  
[01088](#) [43-01203](#) [41-40013](#) [42-00008](#) [43-00343](#) [43-01026](#) [43-01162](#) [43-01173](#) [43-10000](#) [XS3P-M421-2](#) [600X518050X](#) [SACC-DSI-FS-5P-](#)  
[PG9-L180 SC](#) [8R5006A16M020](#) [8R5006A16M005](#) [8R4000A16M010](#) [6-22279-3](#) [1605332](#) [N03FA03144](#) [1300140077](#) [43-16213](#) [43-01338](#)  
[XS2RD4265](#)