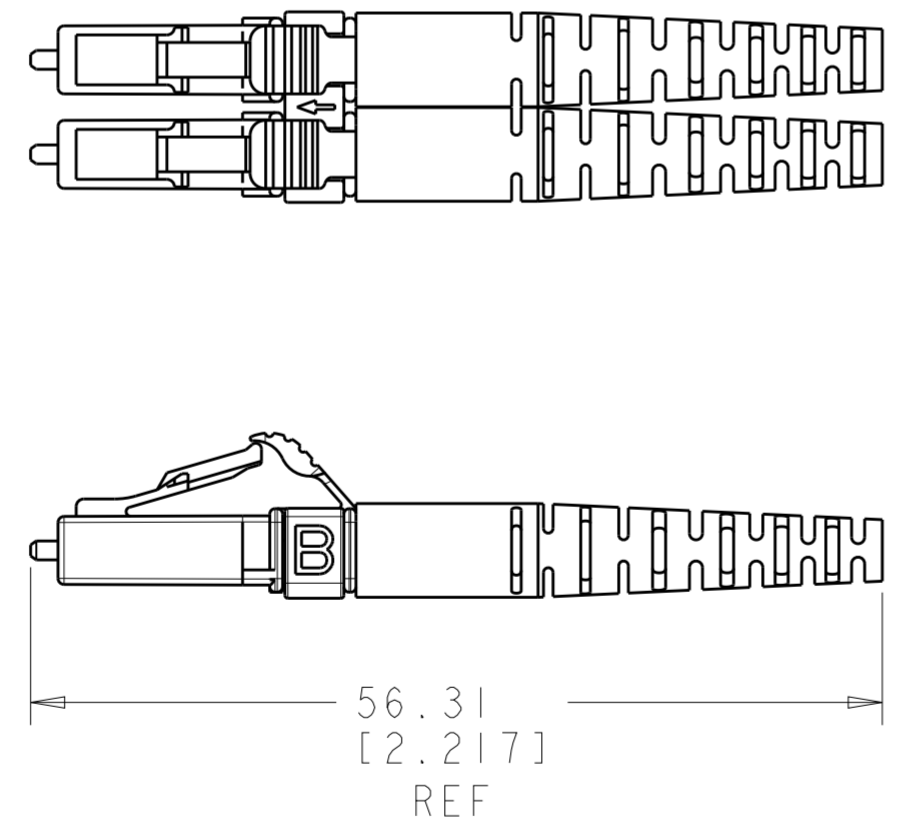
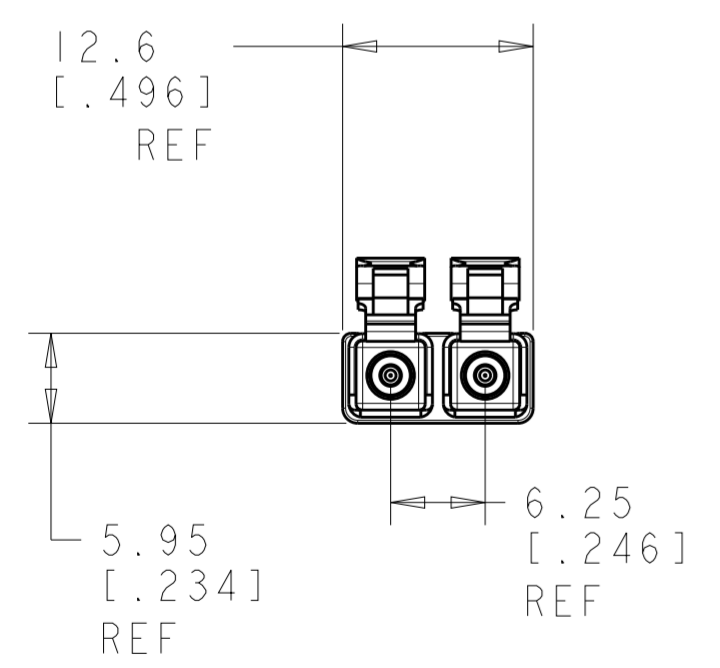


THIS DRAWING IS UNPUBLISHED. RELEASED FOR PUBLICATION 20  
 © COPYRIGHT 20 BY - ALL RIGHTS RESERVED.

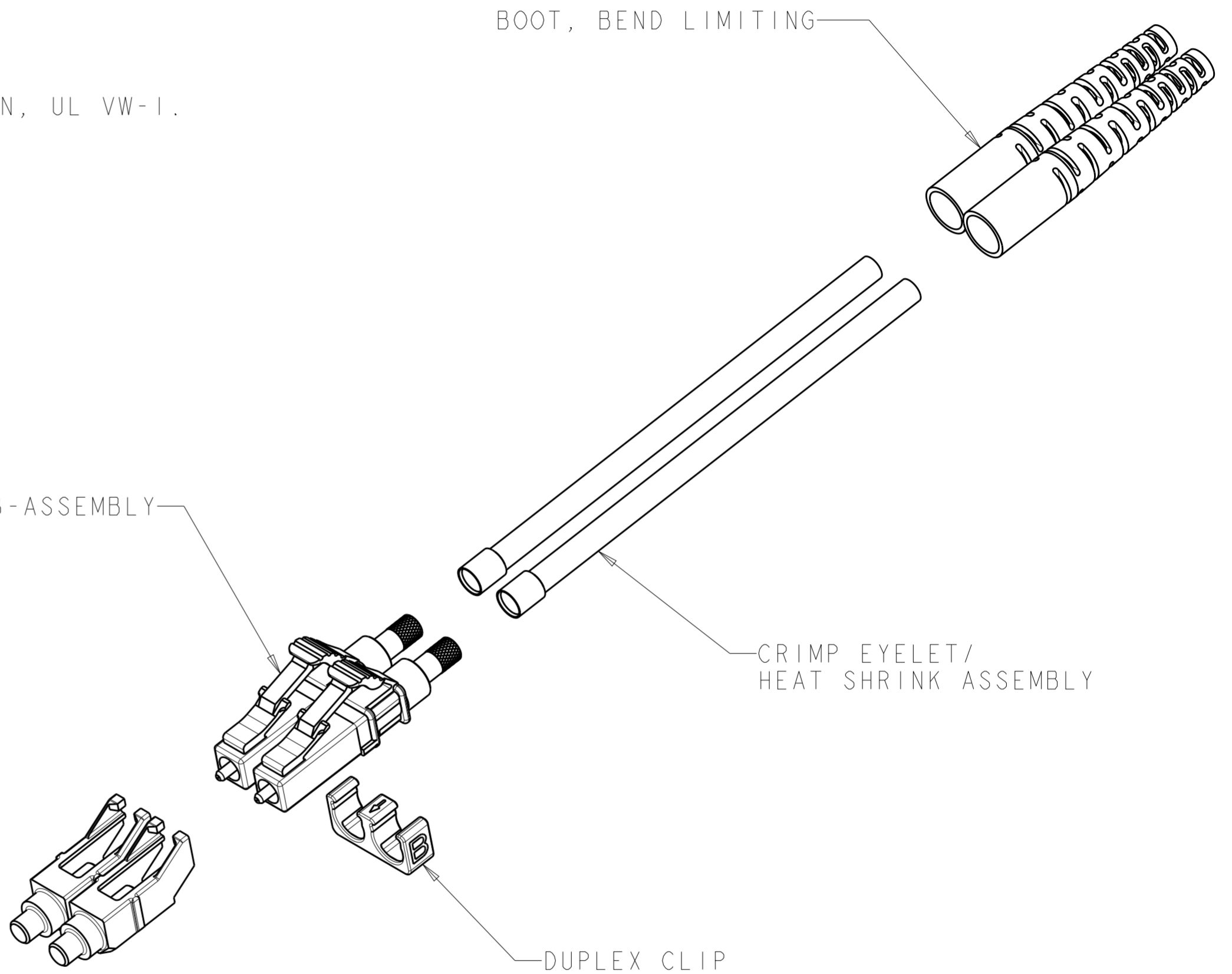
REVISIONS					
P	LTR	DESCRIPTION	DATE	DWN	APVD
B		ECR-14-019305	06JAN2015	KG	SM
BI		CORRECT DIMENSIONS	07JUL2017	KG	SM

⚠ MATERIAL: PROTECTIVE COVER: TPE, COLOR: BLACK, UL 94 HB. \*  
 FERRULE SUB ASSEMBLY: ZIRCONIA/ALUM. ALLOY  
 COMPRESSION SPRING: STAINLESS STEEL.  
 FRONT HOUSING: PPSU, COLOR (SEE TABLE), UL 94 V-0. \*  
 REAR BODY: ALUM. ALLOY  
 DUPLEX CLIP: PEI, COLOR: BLACK, UL 94 V-0. \*  
 BOOT: PP, COLOR: (SEE TABLE), UL 94 V-0. \*  
 CRIMP EYELET/HEAT SHRINK ASSY: ALUM. ALLOY, HEAT SHRINK: POLYOLEFIN, UL VW-1.  
 \* RATED AT QUALIFYING THICKNESS.

2. THIS IS A NON-PULL PROOF LC CONNECTOR.  
 IT IS DESIGNED FOR USE WITH TIGHT CONSTRUCTION OPTICAL CABLE.  
 UNDER LOADS ENDFACE ABRASIONS MAY OCCUR.



CONNECTOR SUB-ASSEMBLY



BLUE	SINGLEMODE	2123524-2
BEIGE	MULTIMODE	2123524-1
COLOR	TYPE	PART NO.

THIS DRAWING IS A CONTROLLED DOCUMENT.

DWN B. BRIGGS 31 JAN 2011	TE Connectivity					
CHK S. MILLER 31 JAN 2011						
APVD S. MILLER 31 JAN 2011						
NAME CONNECTOR KIT, LC, DUPLEX, SM, JUMPER, TIGHT JACKET STYLE, 1.6 - 2.0mm						
DIMENSIONS: mm [INCHES]	TOLERANCES UNLESS OTHERWISE SPECIFIED:	PRODUCT SPEC	SIZE	CAGE CODE	DRAWING NO	RESTRICTED TO
0 PLC ±	1 PLC ±	-	A2	00779	C-2123524	-
2 PLC ±	3 PLC ±	-	SCALE	2:1	SHEET	OF
4 PLC ±	ANGLES ±	-	Customer Drawing		1	1
MATERIAL	FINISH	WEIGHT			REV	BI
⚠	-	-				

## X-ON Electronics

Largest Supplier of Electrical and Electronic Components

*Click to view similar products for [Fibre Optic Cable Assemblies](#) category:*

*Click to view products by [TE Connectivity](#) manufacturer:*

Other Similar products are found below :

[7-21002-9](#) [760-1518](#) [FA04390-50-M-72-LC-N](#) [MLB 501 V RED](#) [MLB 501 V YELLOW](#) [1-3636-600-5208](#) [2061529-7](#) [1-6693182-0](#)  
[1754898-1](#) [21055-6](#) [FXBSCSCE2LM002](#) [3000005](#) [3-21053-2](#) [MLB 200/1 V BLACK](#) [MLB 2001 V RED](#) [MLB 2001 V YELLOW](#) [MLB 501](#)  
[V BLACK](#) [5492011-6](#) [106284-7000](#) [5492011-5](#) [5492011-8](#) [5492011-9](#) [8-21007-5](#) [2123524-2](#) [2123524-1](#) [106386-4447](#) [DFSM-SCSC-2M](#)  
[2123909-4](#) [2123909-8](#) [106273-0629](#) [2125046-1](#) [2821236-3](#) [2821310-2](#) [2821310-3](#) [2821313-4](#) [FX2ERLNLNSNM0.5](#) [CF-980062-074](#) [CF-](#)  
[901200-394](#) [CF-980062-073](#) [CF-980062-071](#) [CF-980062-075](#) [CF-980062-072](#) [17-300310-100](#) [2821236-2](#) [2821313-1](#) [G-FC-FC-S-002.0-DX-](#)  
[A-18-Y](#) [G-E2A-E2A-S-003.0-SX-A-18-Y](#) [956-322-502214](#) [FA04474](#) [1083665](#)