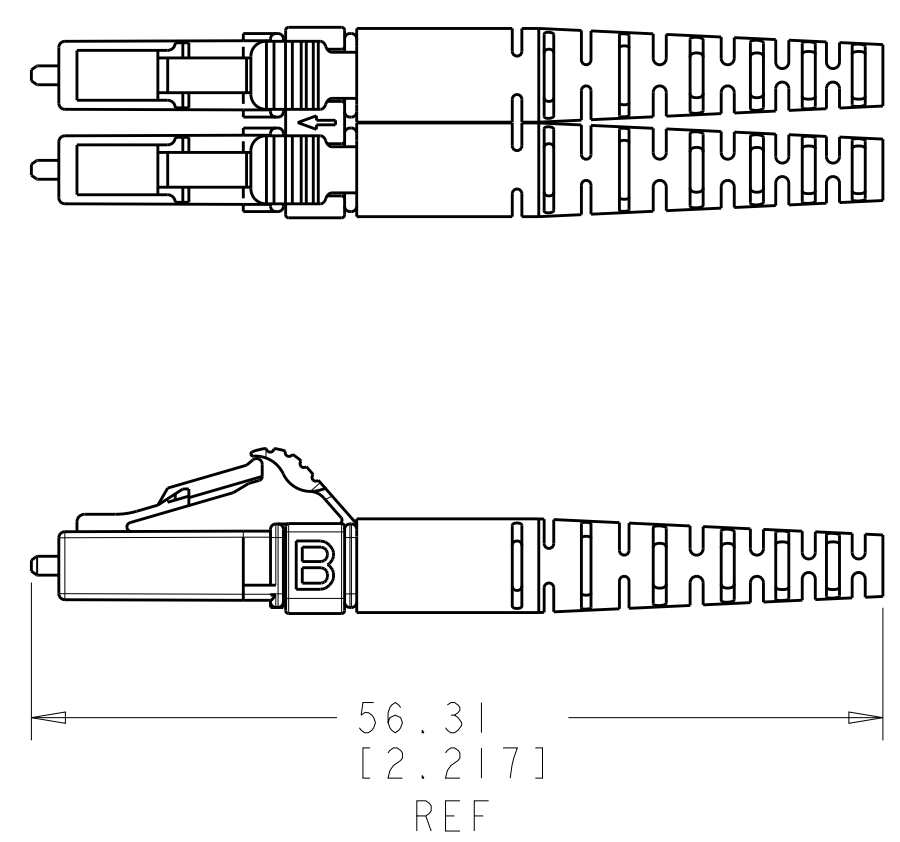
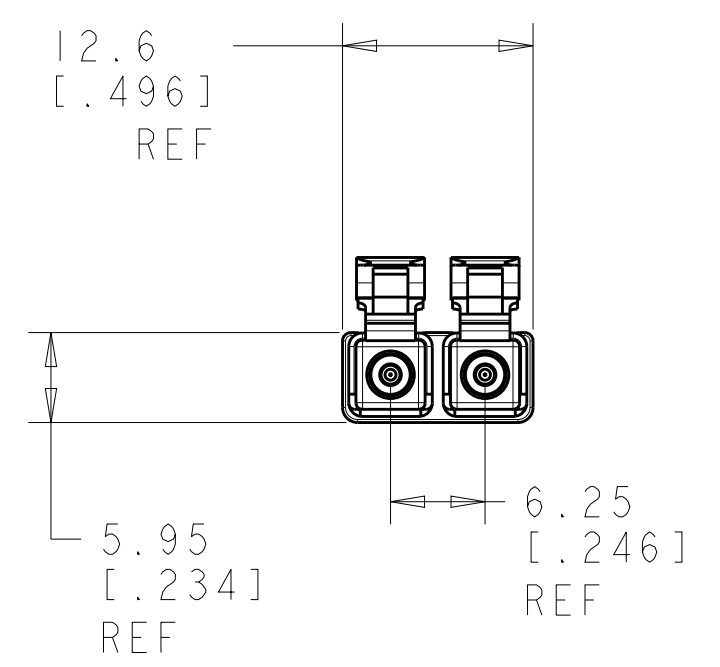


THIS DRAWING IS UNPUBLISHED. RELEASED FOR PUBLICATION 20  
 © COPYRIGHT 20 BY - ALL RIGHTS RESERVED.

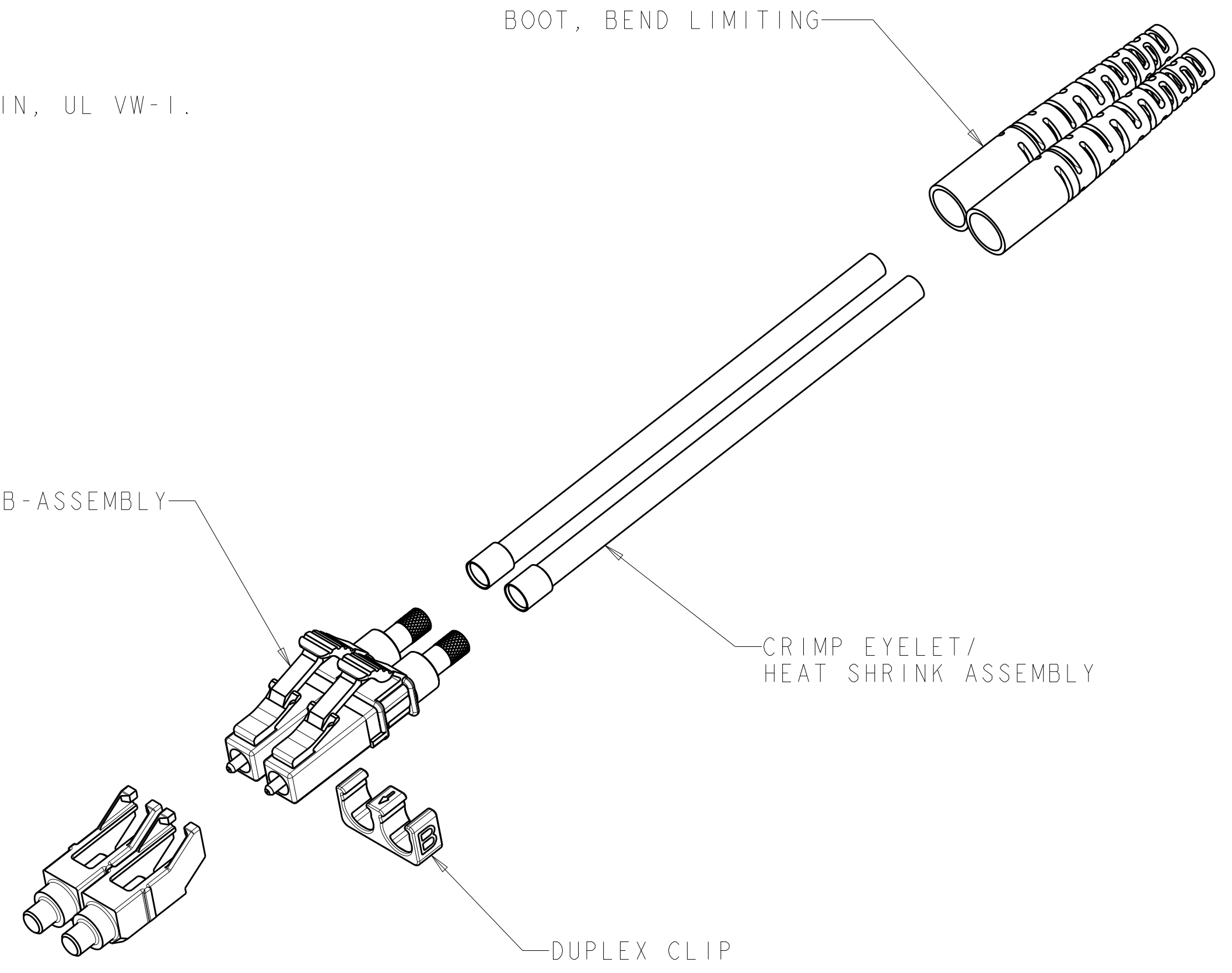
REVISIONS					
P	LTR	DESCRIPTION	DATE	DWN	APVD
B		ECR-14-019305	06JAN2015	KG	SM
BI		CORRECT DIMENSIONS	07JUL2017	KG	SM

⚠ MATERIAL: PROTECTIVE COVER: TPE, COLOR: BLACK, UL 94 HB. \*  
 FERRULE SUB ASSEMBLY: ZIRCONIA/ALUM. ALLOY  
 COMPRESSION SPRING: STAINLESS STEEL.  
 FRONT HOUSING: PPSU, COLOR (SEE TABLE), UL 94 V-0. \*  
 REAR BODY: ALUM. ALLOY  
 DUPLEX CLIP: PEI, COLOR: BLACK, UL 94 V-0. \*  
 BOOT: PP, COLOR: (SEE TABLE), UL 94 V-0. \*  
 CRIMP EYELET/HEAT SHRINK ASSY: ALUM. ALLOY, HEAT SHRINK: POLYOLEFIN, UL VW-1.  
 \* RATED AT QUALIFYING THICKNESS.

2. THIS IS A NON-PULL PROOF LC CONNECTOR.  
 IT IS DESIGNED FOR USE WITH TIGHT CONSTRUCTION OPTICAL CABLE.  
 UNDER LOADS ENDFACE ABRASIONS MAY OCCUR.



CONNECTOR SUB-ASSEMBLY



BLUE	SINGLEMODE	2123524-2
BEIGE	MULTIMODE	2123524-1
COLOR	TYPE	PART NO.

THIS DRAWING IS A CONTROLLED DOCUMENT.		DWN B. BRIGGS 31JAN2011	TE Connectivity			
DIMENSIONS: mm [INCHES]		CHK S. MILLER 31JAN2011				
TOLERANCES UNLESS OTHERWISE SPECIFIED:		APVD S. MILLER 31JAN2011				
0 PLC ± 1 PLC ± 2 PLC ± 3 PLC ± 4 PLC ± ANGLES ± FINISH -		NAME CONNECTOR KIT, LC, DUPLEX, SM, JUMPER, TIGHT JACKET STYLE, 1.6 - 2.0mm				
MATERIAL	⚠	PRODUCT SPEC -	SIZE A2	CAGE CODE 00779	DRAWING NO. C-2123524	RESTRICTED TO -
Customer Drawing		WEIGHT -	SCALE 2:1	SHEET 1	OF 1	REV BI

## X-ON Electronics

Largest Supplier of Electrical and Electronic Components

*Click to view similar products for [Fibre Optic Cable Assemblies](#) category:*

*Click to view products by [TE Connectivity](#) manufacturer:*

Other Similar products are found below :

[7-21002-9](#) [760-1518](#) [FA04390-50-M-72-LC-N](#) [MLB 501 V RED](#) [MLB 501 V YELLOW](#) [1-3636-600-5208](#) [2061529-7](#) [1-6693182-0](#)  
[1754898-1](#) [21055-6](#) [FXBSCSCE2LM002](#) [3000005](#) [3-21053-2](#) [MLB 200/1 V BLACK](#) [MLB 2001 V RED](#) [MLB 2001 V YELLOW](#) [MLB 501](#)  
[V BLACK](#) [5492011-6](#) [106284-7000](#) [5492011-5](#) [5492011-8](#) [5492011-9](#) [8-21007-5](#) [2123524-2](#) [2123524-1](#) [106386-4447](#) [DFSM-SCSC-2M](#)  
[2123909-4](#) [2123909-8](#) [106273-0629](#) [2125046-1](#) [2821236-3](#) [2821310-2](#) [2821310-3](#) [2821313-4](#) [FX2ERLNLNSNM0.5](#) [CF-980062-074](#) [CF-](#)  
[901200-394](#) [CF-980062-073](#) [CF-980062-071](#) [CF-980062-075](#) [CF-980062-072](#) [17-300310-100](#) [2821236-2](#) [2821313-1](#) [G-FC-FC-S-002.0-DX-](#)  
[A-18-Y](#) [G-E2A-E2A-S-003.0-SX-A-18-Y](#) [956-322-502214](#) [FA04474](#) [1083665](#)