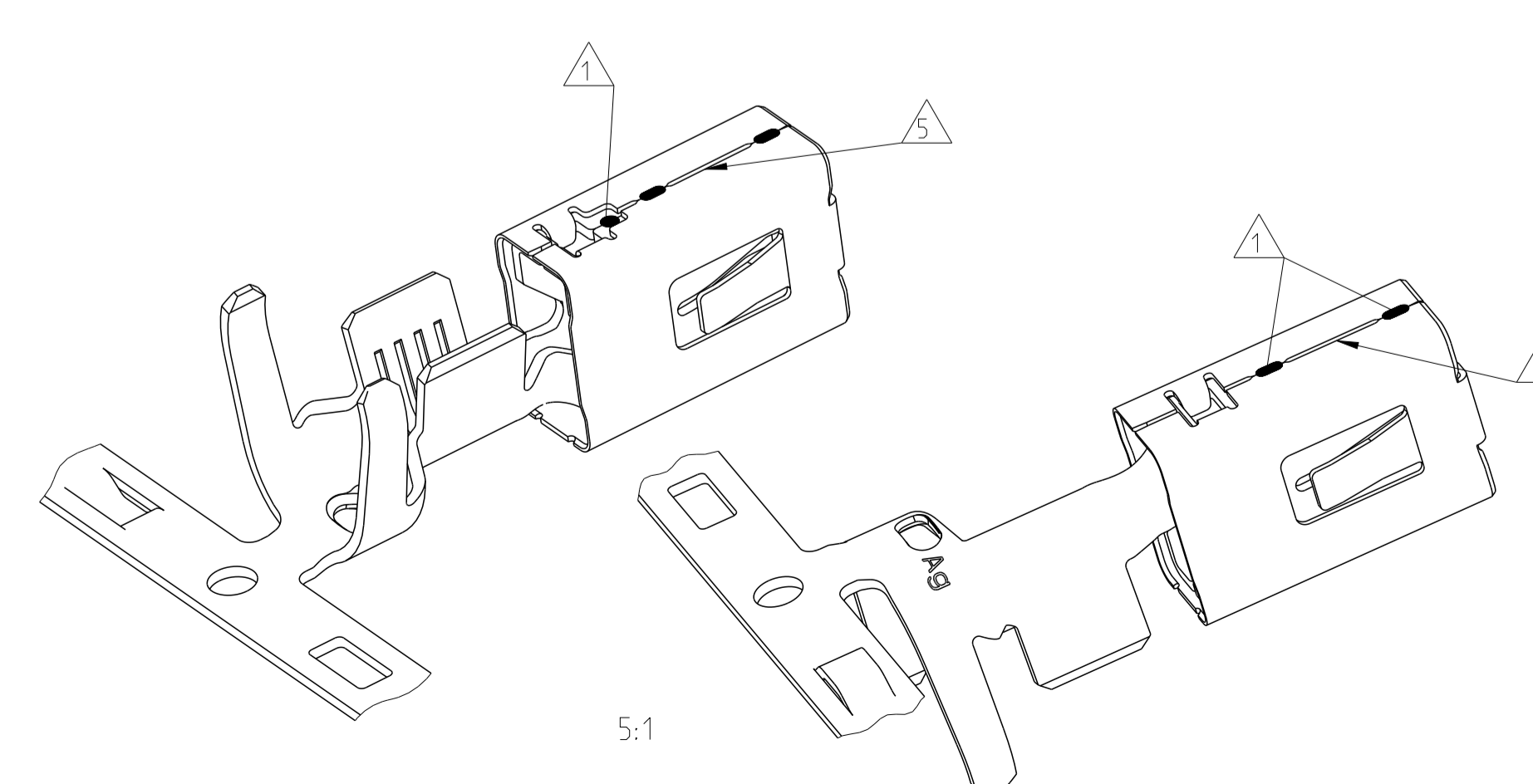
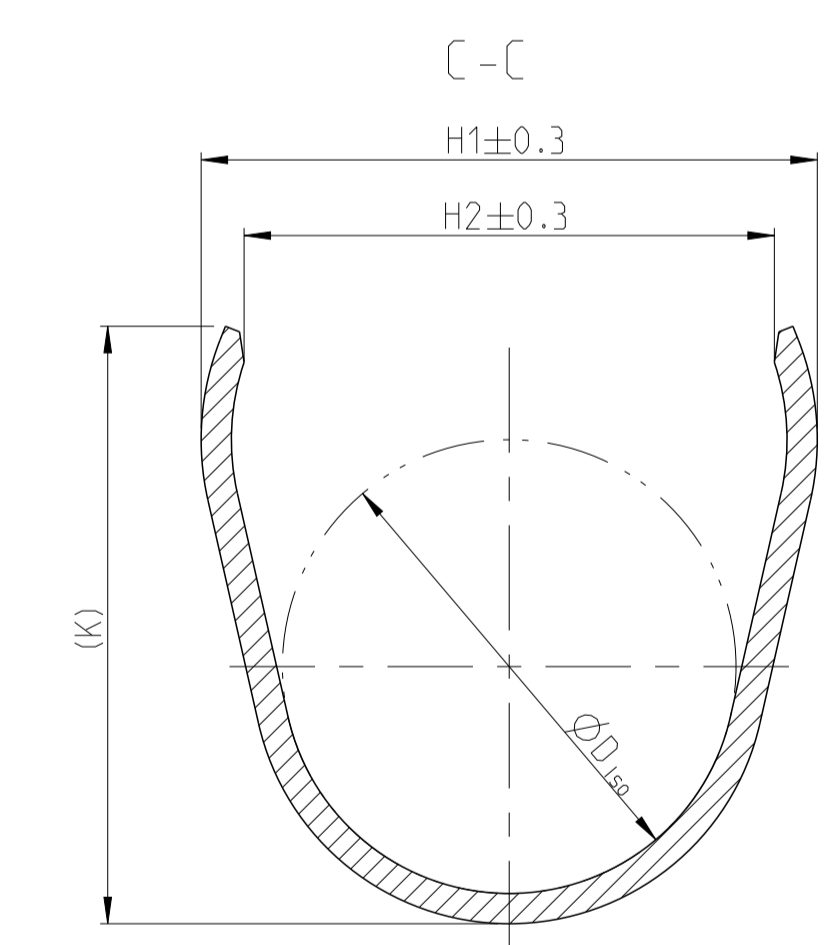
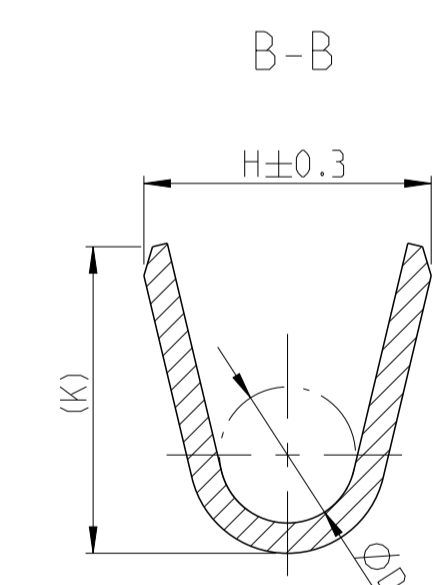
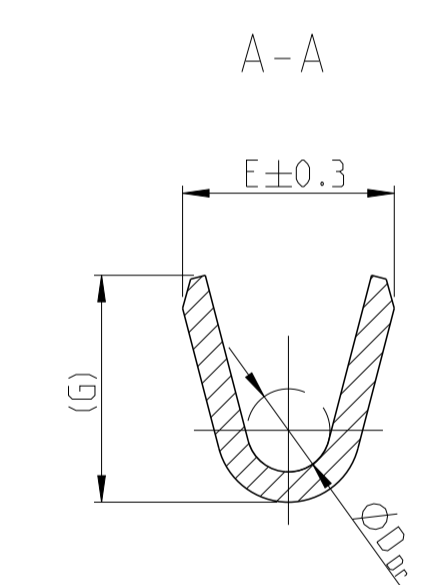


ORDER NO. Bestell-Nr.	INSULATION-Ø Isolations-Ø	COLOUR Farbe
2177018-1	1.2-2.0	YELLOW gelb
1394511-1	2.0-2.7	WHITE weiss
1823111-1	2.7-3.0	REDBROWN rotbraun
1394512-1	3.4-3.7	BLUE blau
1719043-1	4.0-4.5	GREEN gruen

ORDER NO. STRIP Bestell-Nr. Bandware	Rev.	WIRE RANGE Drahtgrößen Bereich (mm 2)	INSULATION-Ø Isolations-Ø (mm)	MATERIAL Werkstoff	SURFACE IN CONTACT AREA Oberfläche im Kontaktbereich	CRIMP DIMENSION Crimpabmessungen				WIRE CRIMP Drahtcrimp	INSULATION CRIMP Isolations Crimp
						A	B	C	F		
1241418-4	A				TIN PLATED / SnAg verzinkt / SnAg					E = 5.3	H1= 8.15
2-1241418-3	A	4.0-6.0	3.4-4.3	CuNiSi	SILVER PLATED versilbert	4.5	6.9	8.7	20.95	G = 5.6	H2= 7.0
1-1241418-3	A				SILVER PLATED versilbert					D _{Dr} = 2.9	K = 7.9
1241416-3	A				SILVER PLATED versilbert					D _{Dr} = 2.4	D _{Iso} = 6.0
1241416-1	A	>2.5-4.0	3.4-4.5	CuNiSi	TIN PLATED verzinkt	4.0	5.9	7.7	19.95	E = 4.6	H1= 8.15
1241414-3	A				SILVER PLATED versilbert					G = 4.8	H2= 7.0
1241414-1	A	>1.0-2.5	2.2-3.7	CuNiSi	TIN PLATED verzinkt	3.5	5.9	7.7	19.95	D _{Dr} = 1.7	K = 7.9
1241412-3	A				SILVER PLATED versilbert					D _{Dr} = 1.1	D _{Iso} = 5.7
1241412-1	A	0.5-1.0	1.4-2.7	CuNiSi	TIN PLATED verzinkt	3.0	5.4	7.2	19.95	E = 2.8	H1= 7.8
5-1241410-3	A				SILVER PLATED versilbert					G = 3.0	H2= 6.7
1241410-3	A	0.35-0.5	1.2-2.3	CuNiSi	TIN PLATED verzinkt	2.5	4.9	6.7	19.95	D _{Dr} = 0.8	K = 7.5
5-1241410-1	A				SILVER PLATED versilbert					D _{Dr} = 0.8	D _{Iso} = 5.5
1241410-1	A				TIN PLATED verzinkt						
2-1241408-3	A				SILVER PLATED versilbert					E = 5.3	H = 6.7
1-1241408-3	A	4.0-6.0	3.4-4.3	CuNiSi	SILVER PLATED versilbert	4.5	6.0	7.8	19.95	G = 5.6	K = 7.0
1241408-1	A				TIN PLATED verzinkt					D _{Dr} = 2.9	D _{Iso} = 3.9
1241406-3	A				SILVER PLATED versilbert					E = 4.6	H = 6.4
1241406-1	A	>2.5-4.0	3.4-4.5	CuNiSi	TIN PLATED verzinkt	4.0	5.2	6.8	19.05	G = 4.8	K = 6.7
1241404-3	A				SILVER PLATED versilbert					D _{Dr} = 2.4	D _{Iso} = 4.0
1241404-1	A	>1.0-2.5	2.2-3.0	CuNiSi	TIN PLATED verzinkt	3.5	4.7	6.3	19.05	E = 3.8	H = 4.7
1241402-3	A				SILVER PLATED versilbert					G = 4.0	K = 4.9
1241402-1	A	0.5-1.0	1.4-2.1	CuNiSi	TIN PLATED verzinkt	3.0	4.2	5.8	19.05	D _{Dr} = 1.1	D _{Iso} = 2.6
5-1241400-1	A				SILVER PLATED versilbert					E = 2.8	H = 3.8
1241400-1	A	0.2-0.5	1.1-1.6	CuNiSi	TIN PLATED verzinkt	2.5	3.8	6.6	19.05	G = 3.0	K = 4.1
					TIN PLATED verzinkt					D _{Dr} = 1.1	D _{Iso} = 1.8
					SILVER PLATED versilbert					E = 2.2	H = 3.1
					TIN PLATED verzinkt					G = 2.2	K = 3.1
					SILVER PLATED versilbert					D _{Dr} = 0.8	D _{Iso} = 1.4



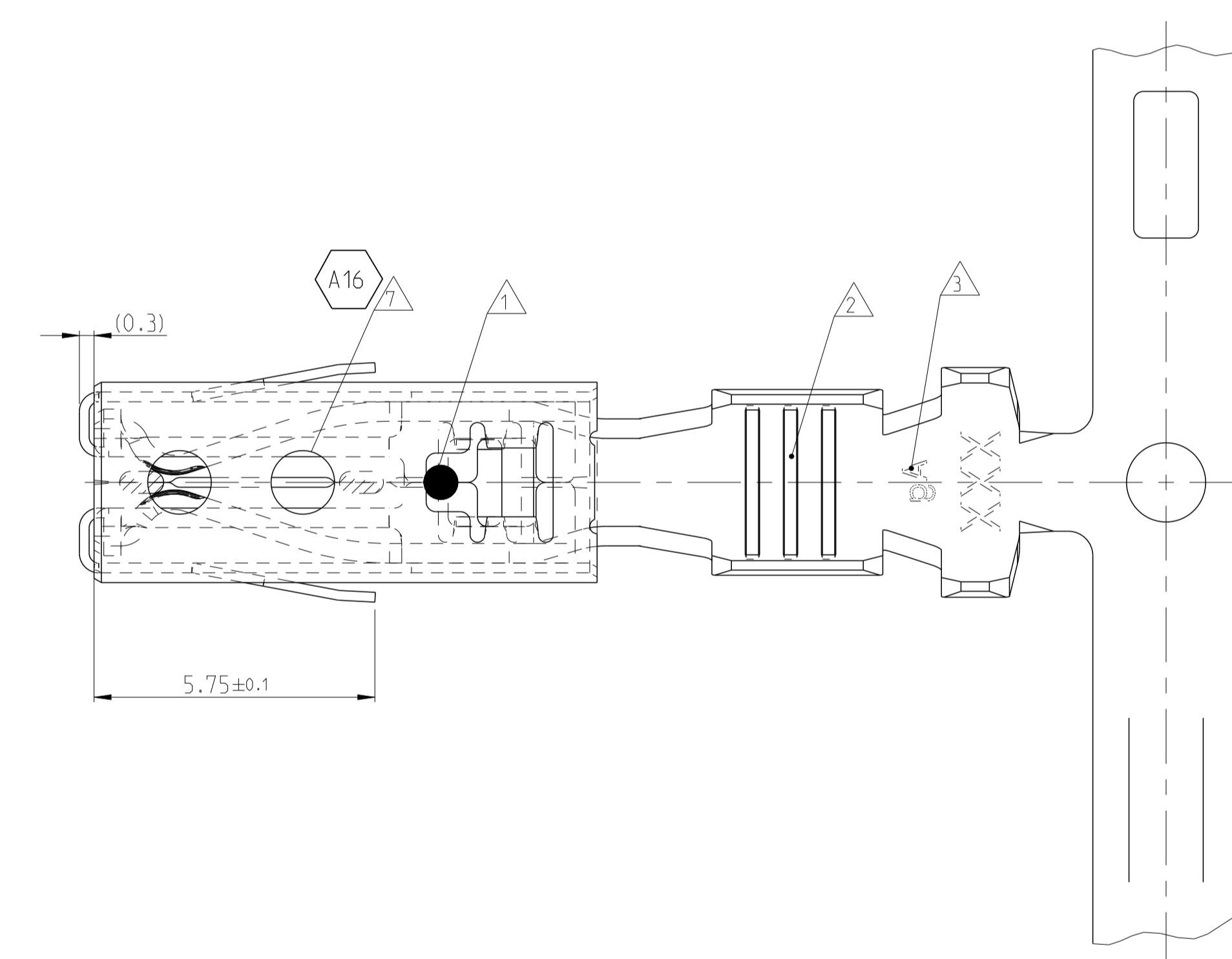
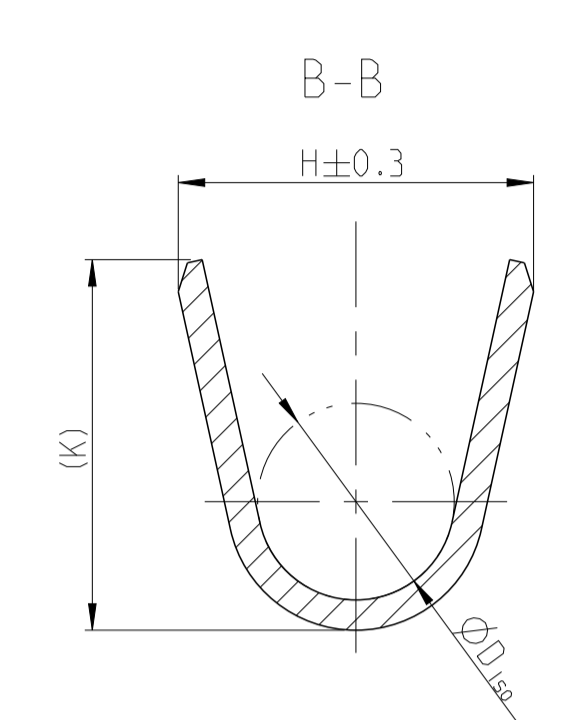
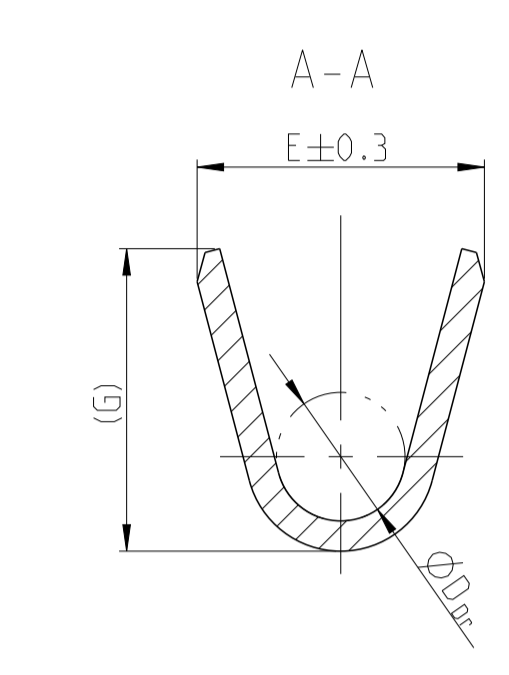
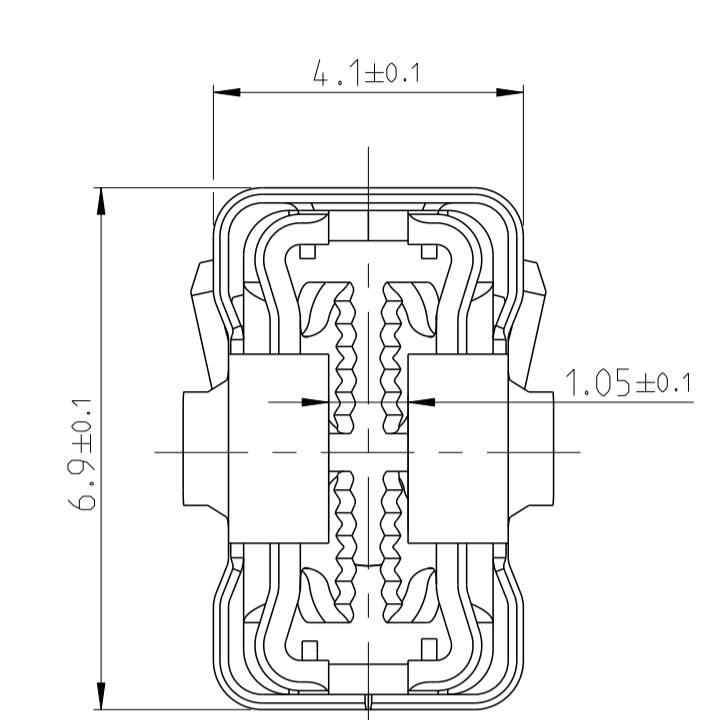
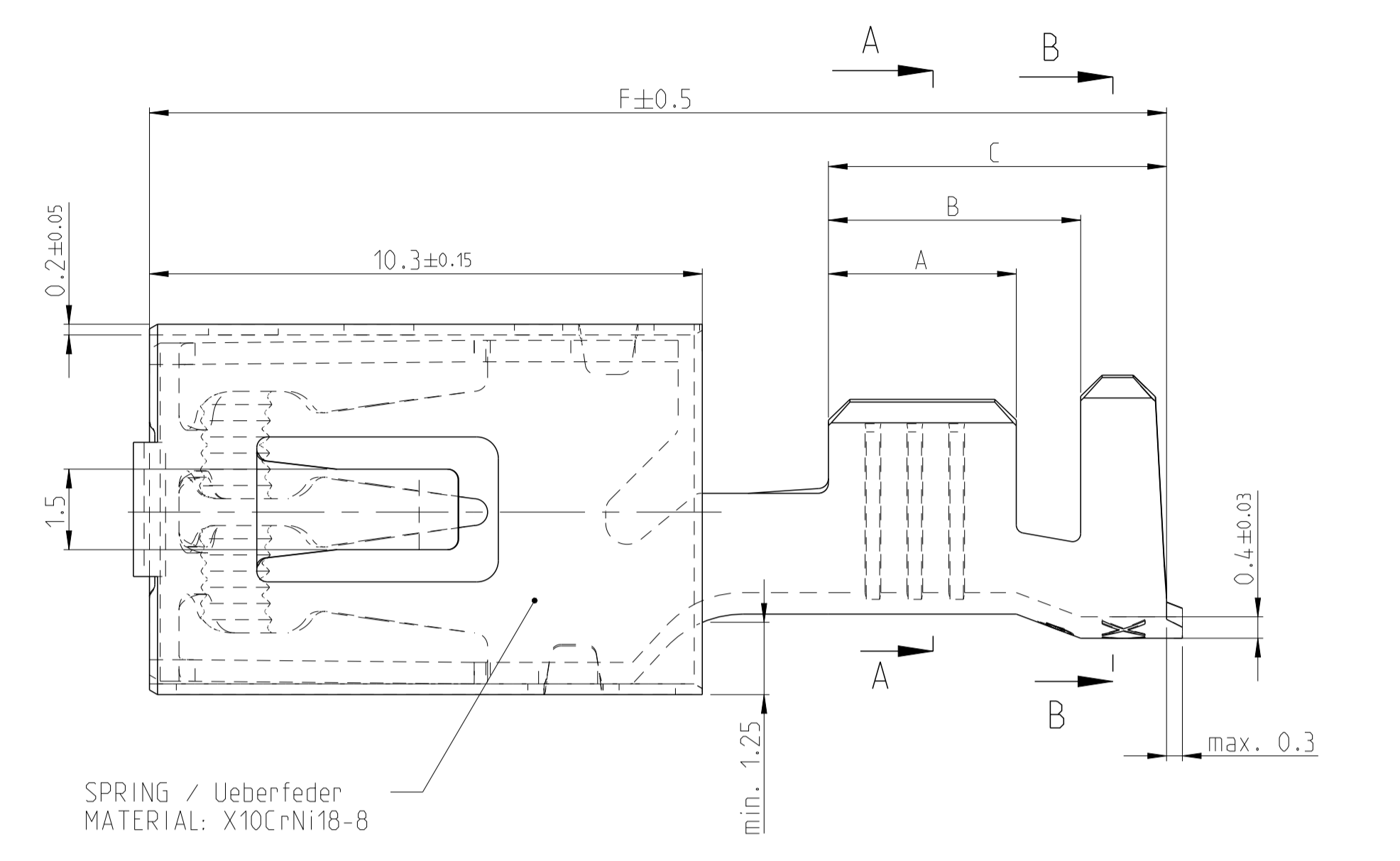
- NOTES
Bemerkungen
- 1 LASER WELDED
Lasergeschweis
 - 2 SINGLE WIRE SEAL TO BE SELECTED ACCORDING TO INSULATION-Ø
Auswahl der Einzeldichtung entsprechend dem Isolations-Ø
 - 3 DIFFERENT FORM AND NUMBER OF THE SERRATIONS POSSIBLE
Unterschiedliche Ausfuehrung und Anzahl der Ritzen moeglich
 - 4 SILVER PLATED VERSIONS ARE MARKED WITH "Ag"
Versilberte Versionen sind mit "Ag" gekennzeichnet
 - 5 DIFFERENT ASSEMBLY CAUSED BY PRODUCTION OF THE SPRING ON THE BODY.
SPOTWELDS CAN BE ABOVE OR DOWN.
Fertigungsbedingte unterschiedliche Montage der Ueberfeder auf dem Body moeglich.
Der Stoss kann sich oben oder unten befinden.
 - 6 USED WITH TAB 0.8±0.03mm x 4.8 ... 6.3 ±0.1mm
Verwendet mit Flachstecker 0.8±0.03mm x 4.8 ... 6.3 ±0.1mm
 - 7 "Ag"- MARKING ON SILVER PLATED VERSIONS FOR INCREASED LIMIT TEMPERATURE
"Ag"- Markierung auf versilberten Versionen fuer erhoehte Grenztemperatur
 - 8 1241400-1 nicht fuer Neuanwendungen, wird ersetzt durch 5-1241400-1
1241410-1 nicht fuer Neuanwendungen, wird ersetzt durch 5-1241410-1
1241410-3 nicht fuer Neuanwendungen, wird ersetzt durch 5-1241410-3
1241400-1 SUPERSEDED BY PN 5-1241400-1
1241410-1 SUPERSEDED BY PN 5-1241410-1
1241410-3 SUPERSEDED BY PN 5-1241410-3

THIS DRAWING IS A CONTROLLED DOCUMENT.		OWN R. Meier	03DEC2001	TE Connectivity NAME AMP MCP6.3/4.8K FLATCONTACT AMP MCP6.3/4.8K Flachkontakt PRODUCT GROUP DRAWING
DIMENSIONS: mm		CHK R. Schaefer	03DEC2001	
TOLERANCES UNLESS OTHERWISE SPECIFIED:		APVD M. Bleicher	28OCT2011	SIZE CAGE CODE DRAWING NO.
1-PLC ±0.2 2-PLC ±0.2 3-PLC ±0.2 4-PLC ±0.2 ANGLES ±0.1°		PRODUCT SPEC 108-18718	APPLICATION SPEC 114-18388	RESTRICTED TO
MATERIAL		WEIGHT	Customer Drawing	SCALE 5:1
ORDER NO. STRIP Bestell-Nr. Bandware		REV. 1	00779	SHEET 1 OF 2
REV. 1		00779	00779	REV. A16

LOC	DIST	REV	DATE	BY	APPV
A1	-				

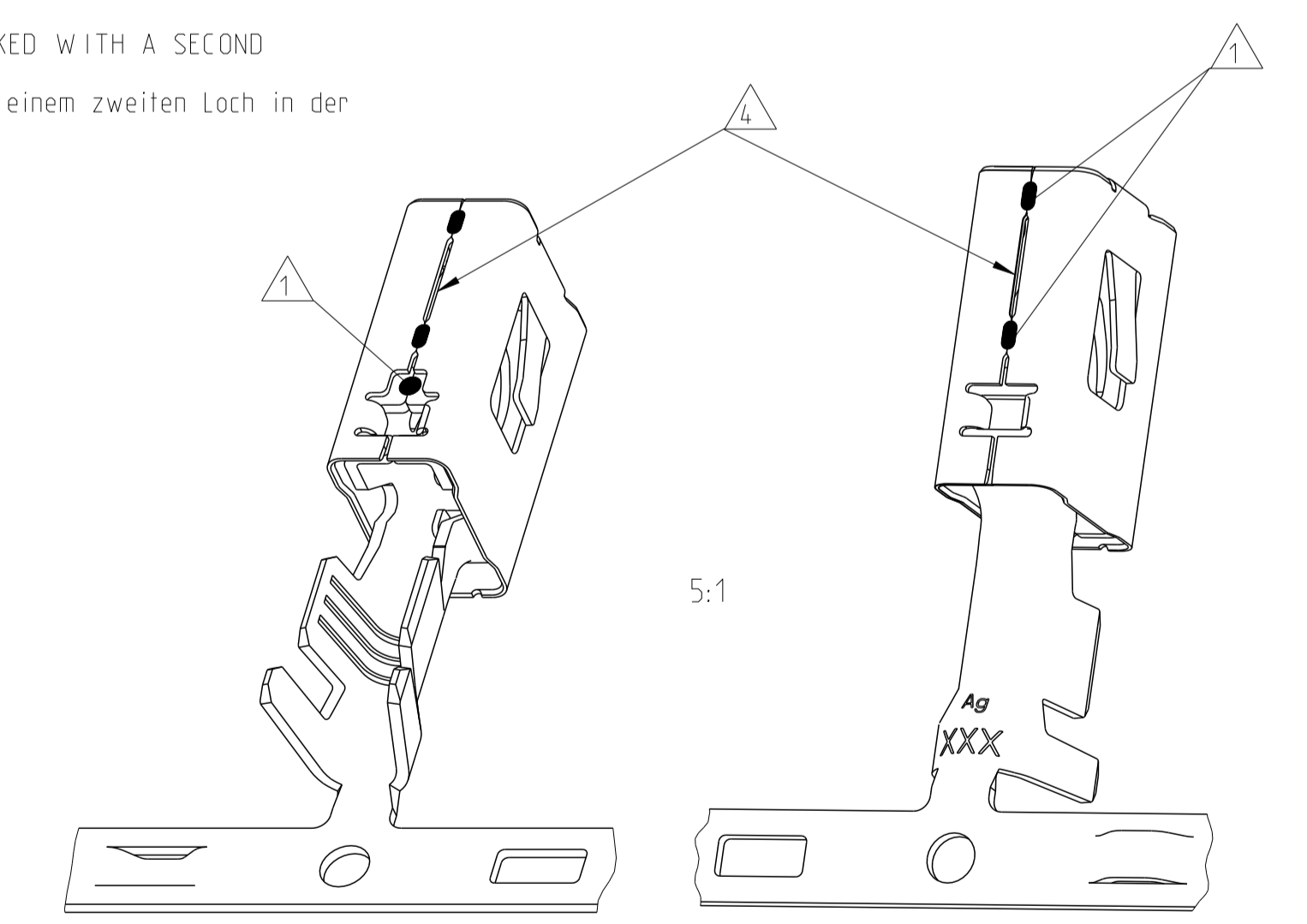
AMP MCP 6.3/4.8K FOR FUSES

AMP MCP 6.3/4.8K fuer Sicherungen



NOTES
Bemerkungen

- 1 LASERWELDED
Lasergeschweisst
- 2 DIFFERENT FORM AND NUMBER OF THE SERRATIONS POSSIBLE
Unterschiedliche Ausfuehrung und Anzahl der Rillen moeglich
- 3 SILVER PLATED VERSIONS ARE MARKED WITH "Ag"
Versilberte Versionen sind mit "Ag" gekennzeichnet
- 4 DIFFERENT ASSEMBLY CAUSED BY PRODUCTION OF THE SPRING ON THE BODY.
SPOTWELDS CAN BE ABOVE OR DOWN.
Fertigungsbedingte unterschiedliche Montage der Ueberfeder auf dem Body moeglich.
Der Stoss kann sich oben oder unten befinden.
- A16 5 USED WITH MEDIUM FUSE 0.64±0.04mm x 5.25 ±0.15mm
(COMPLIANT WITH ATO® FUSE TECHNOLOGY)
ATO® IS A REGISTERED TRADE MARK OF LITTELFUSE INC.
Verwendet mit Medium Sicherung 0.64±0.04mm x 5.25 ±0.15mm
(kompatibel mit ATO®-fuse Technologie)
ATO® ist ein eingetragener Markenname von Littelfuse Inc.
- A16 6 USED WITH MaxiCompact FUSE 0.81±0.03mm x 6.3±0.2mm
MaxiCompact IS A REGISTERED TRADE MARK OF MTA
Verwendet mit MaxiCompact Fuse 0.81±0.03mm x 6.3±0.2mm
MaxiCompact ist ein eingetragener Markenname von MTA
- A16 7 MaxiCompact FUSE VERSIONS ARE MARKED WITH A SECOND HOLE AT THE SPRING
MaxiCompact Fuse Versionen sind mit einem zweiten Loch in der Ueberfeder gekennzeichnet.



ORDER NO. STRIP Bestell-Nr. Bandware	Rev.	WIRE RANGE Drahtgroessen Bereich (mm 2)	INSULATION- Ø Isolations- Ø (mm)	MATERIAL Werkstoff	SURFACE IN CONTACT AREA Oberflaeche im Kontaktbereich	CRIMP DIMENSION Crimpabmessungen						WIRE CRIMP Drahtcrimp	INSULATION CRIMP Isolations Crimp
						A	B	C	F	E	H		
1-2177995-3	A	>4.0-6.0	4.0-4.3	CuNiSi	SILVER PLATED versilbert	4.5	6.0	7.8	19.95	E = 5.3 G = 5.6 D _{Dr} = 2.9	H = 6.7 K = 7.0 D _{Iso} = 3.9		
1-2333552-3	A	>2.5-4.0	3.3-4.5	CuNiSi	SILVER PLATED versilbert	4.0	5.2	6.8	19.05	E = 4.6 G = 4.8 D _{Dr} = 2.4	H = 6.4 K = 6.7 D _{Iso} = 4.0		
1-2208461-3	A	>1.0-2.5	2.2-3.0	CuNiSi	SILVER PLATED versilbert	3.5	4.7	6.3	19.05	E = 3.8 G = 4.0 D _{Dr} = 1.7	H = 4.7 K = 4.9 D _{Iso} = 2.6		
1-2333551-3	A	0.5-1.0	1.4-2.1	CuNiSi	SILVER PLATED versilbert	3.0	4.2	5.8	19.05	E = 2.8 G = 3.0 D _{Dr} = 1.1	H = 3.8 K = 4.1 D _{Iso} = 1.8		
1-2208460-3	A												
1-2333550-3	A												
1-2208459-3	A												

THIS DRAWING IS A CONTROLLED DOCUMENT.

OWN: J. Kirschbaum 12DEC2013
 CHK: A. Mairoser 13DEC2013
 APVD: F. Goepfel 13DEC2013

TE Connectivity

AMP MCP6.3/4.8K FLATCONTACT
 AMP MCP6.3/4.8K Flachkontakt
 PRODUCT GROUP DRAWING

SIZE: A1 CAGE CODE: 00779 DRAWING NO: 1241438
 WEIGHT: -
 Customer Drawing

SCALE: 10:1 SHEET: 2 OF 2

X-ON Electronics

Largest Supplier of Electrical and Electronic Components

Click to view similar products for [Automotive Connectors](#) category:

Click to view products by [TE Connectivity](#) manufacturer:

Other Similar products are found below :

[003-018-000](#) [60403001](#) [60993906-B](#) [M902-2131](#) [M902-2161](#) [M902-2344](#) [72.330.1035.1](#) [73.353.4028.0](#) [F119300-B](#) [F166900](#) [F258300-B](#)
[F358300-B](#) [F407400](#) [F444110](#) [F487000](#) [F509500B-B](#) [827153-1](#) [8N1515-32-24P](#) [9-1326729-8](#) [925474-1](#) [928905-1](#) [964562-4](#) [968782-1](#)
[GT17SA-8DS-HU](#) [98891-1012](#) [98947-1016](#) [12004147](#) [12004475-L](#) [12010290](#) [12010309-B](#) [12015454](#) [12020219-B](#) [12041318-B](#) [12052225-](#)
[L](#) [12052466](#) [12064869](#) [12004327-B](#) [12015308](#) [12015384](#) [12015909](#) [1-21030-1](#) [12041254](#) [12041318](#) [12047946-B](#) [12047957](#) [12047957-L](#)
[12059473](#) [12066261](#) [12110546](#) [12110546-B](#)