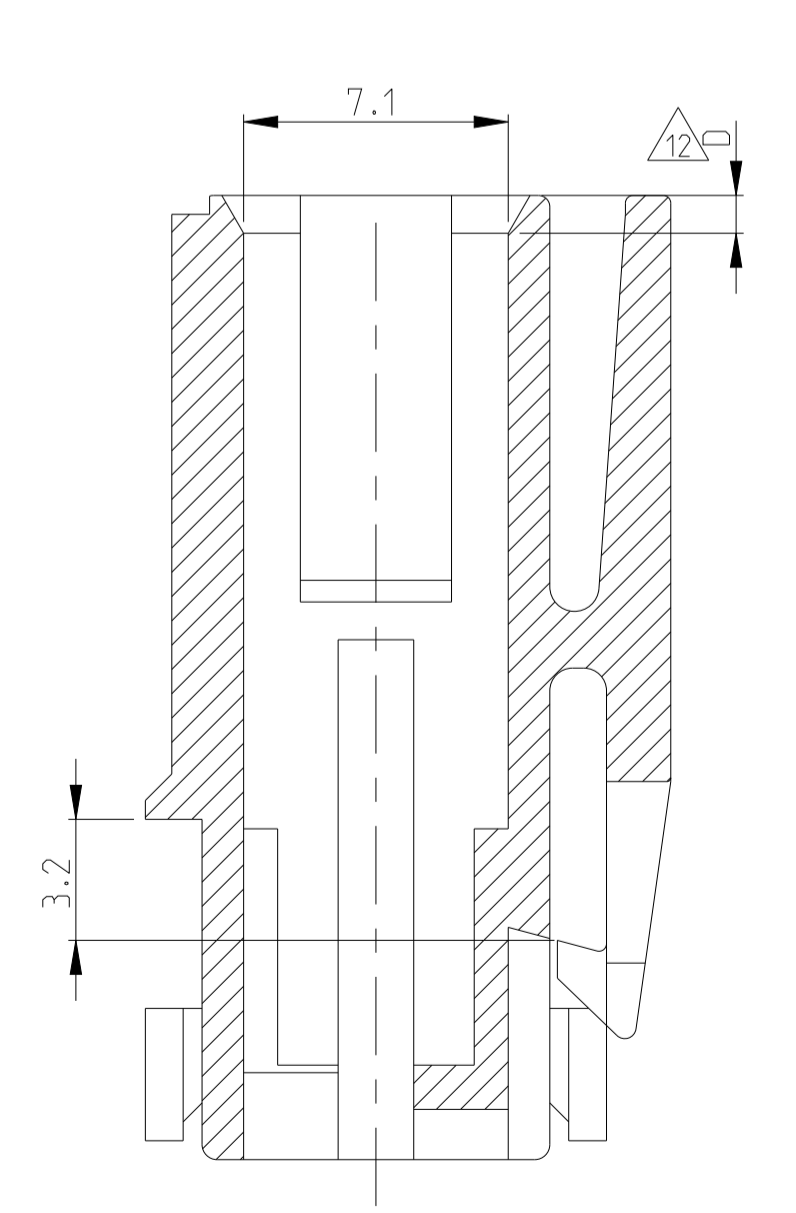
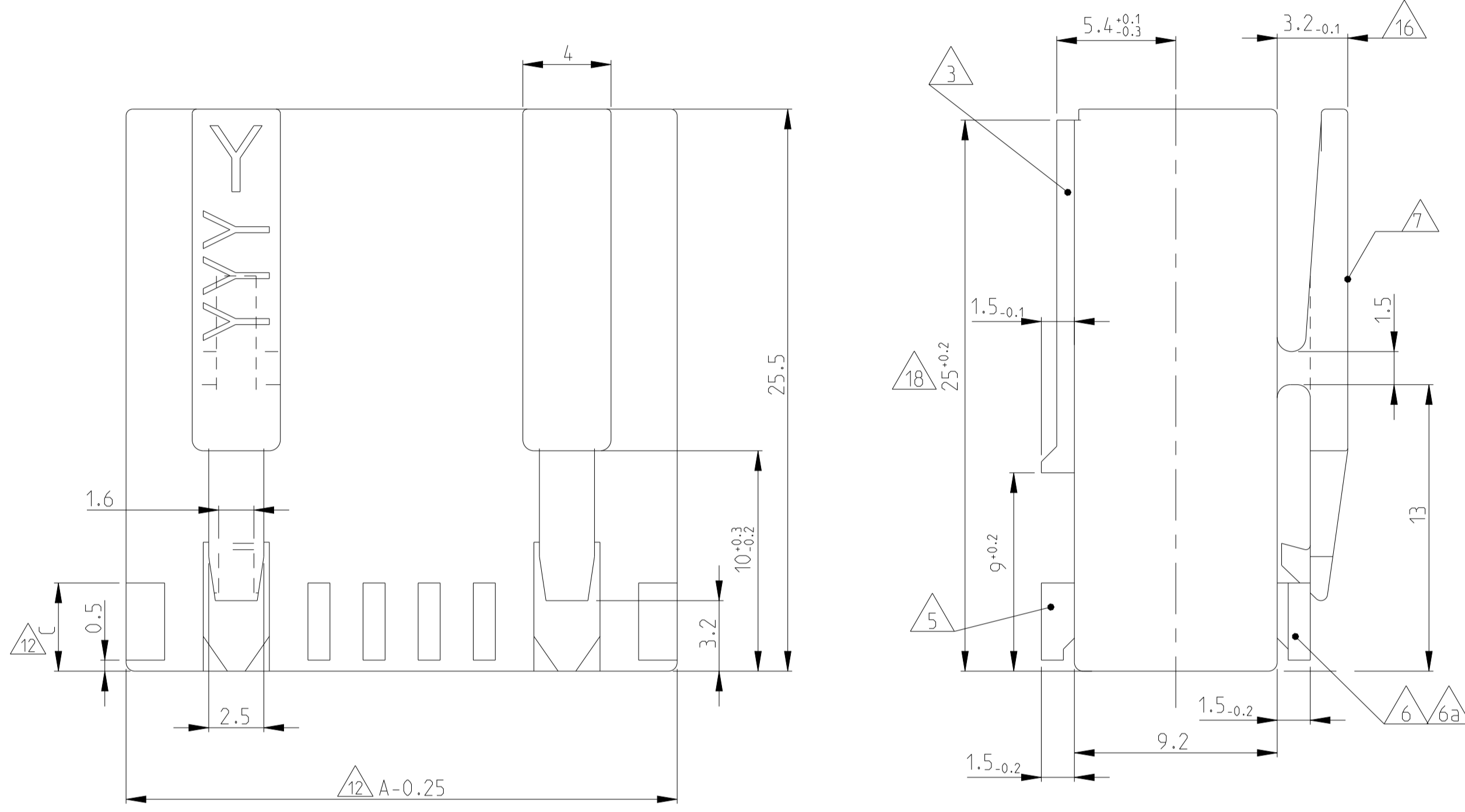
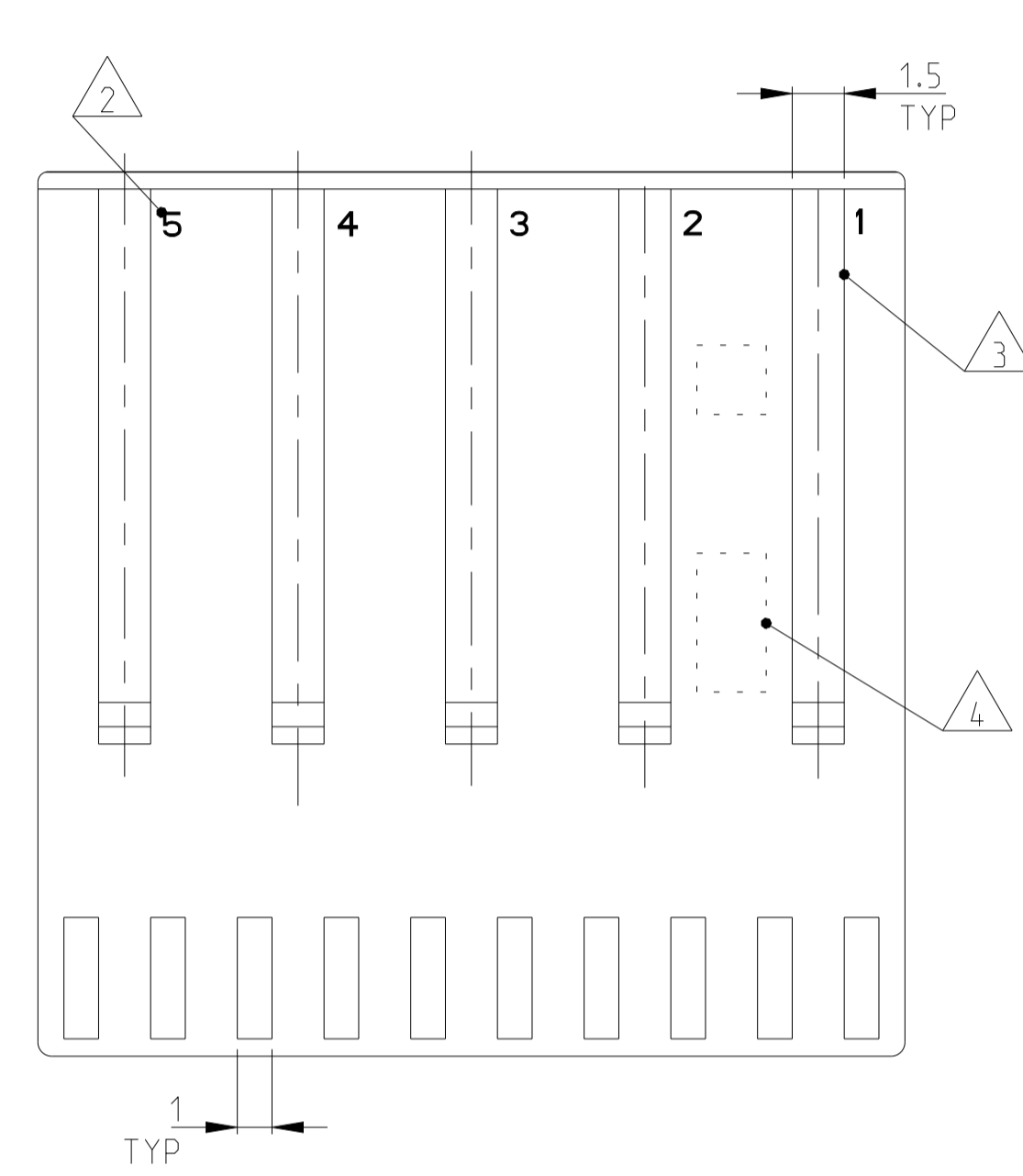
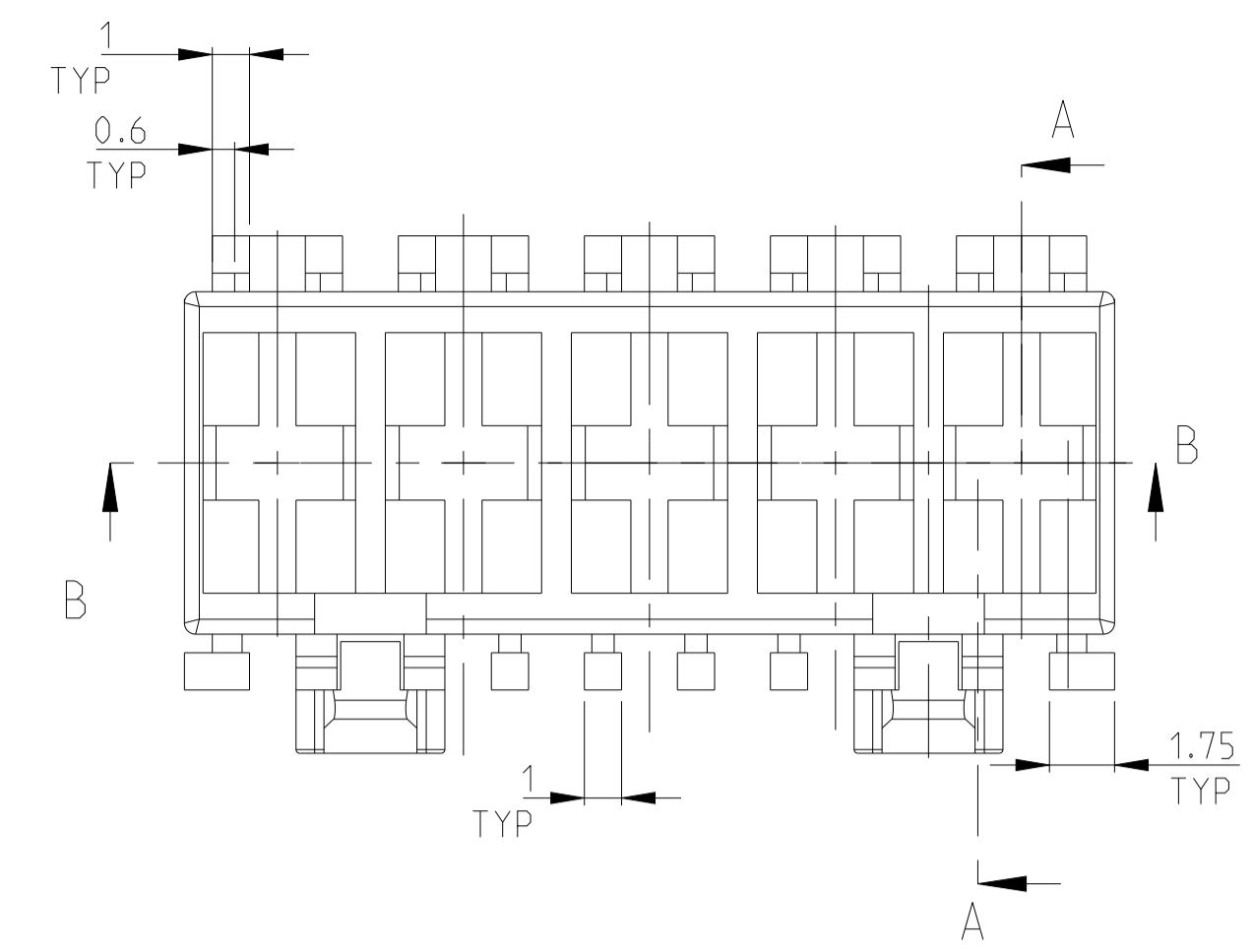
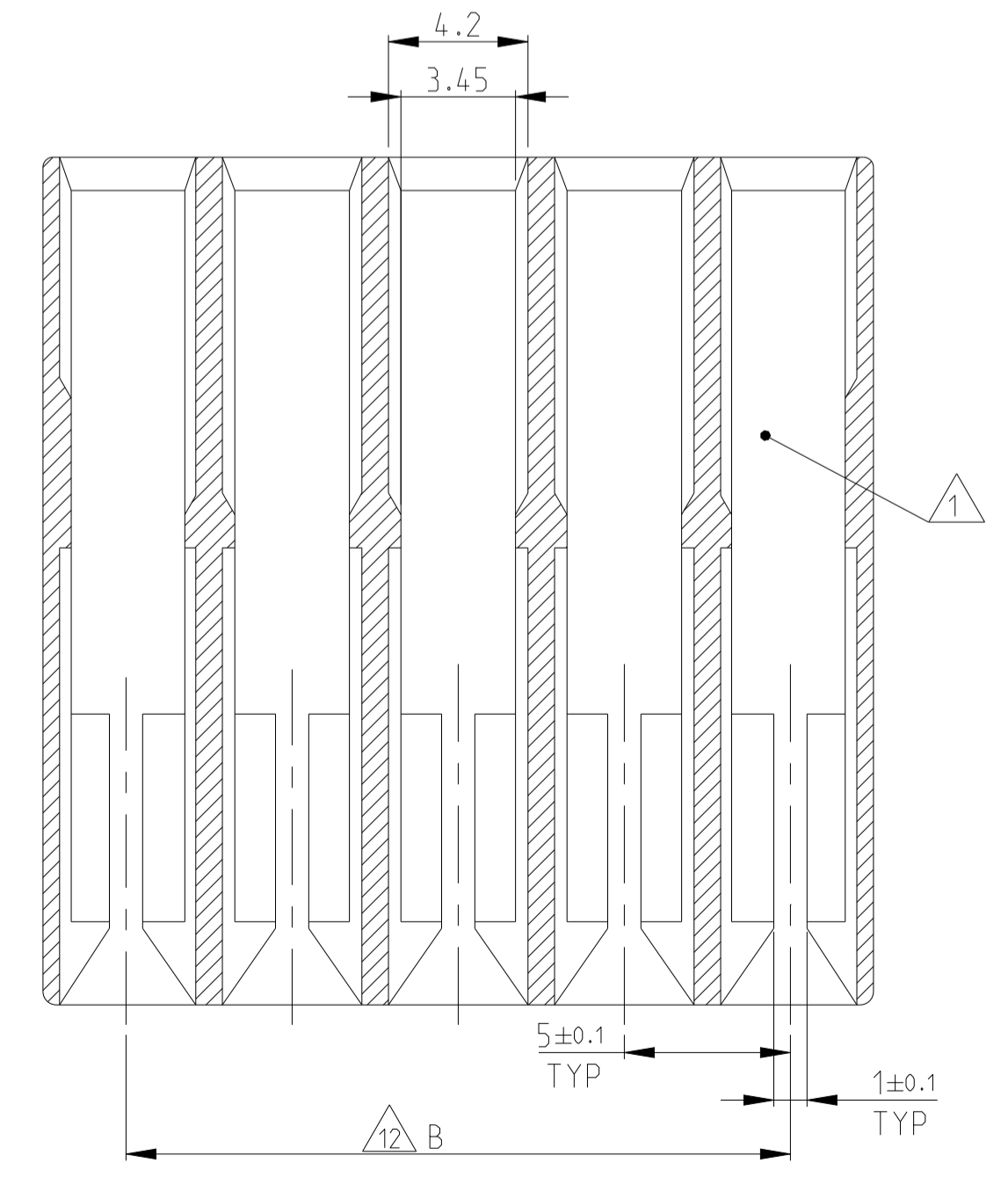


LOC		DIST		REVISIONS				
A1		-		REV	DESCRIPTION	DATE	BY	APPV
E2	ECR-21-100675	23FEB2021	KD	FL				
E3	ECR-21-102870	20MAY2021	SM	FL				
E4	ECR-21-103933	14JUN2021	PJ	FL				
E5	ECR-21-115768	06DEC12021	KD	FL				



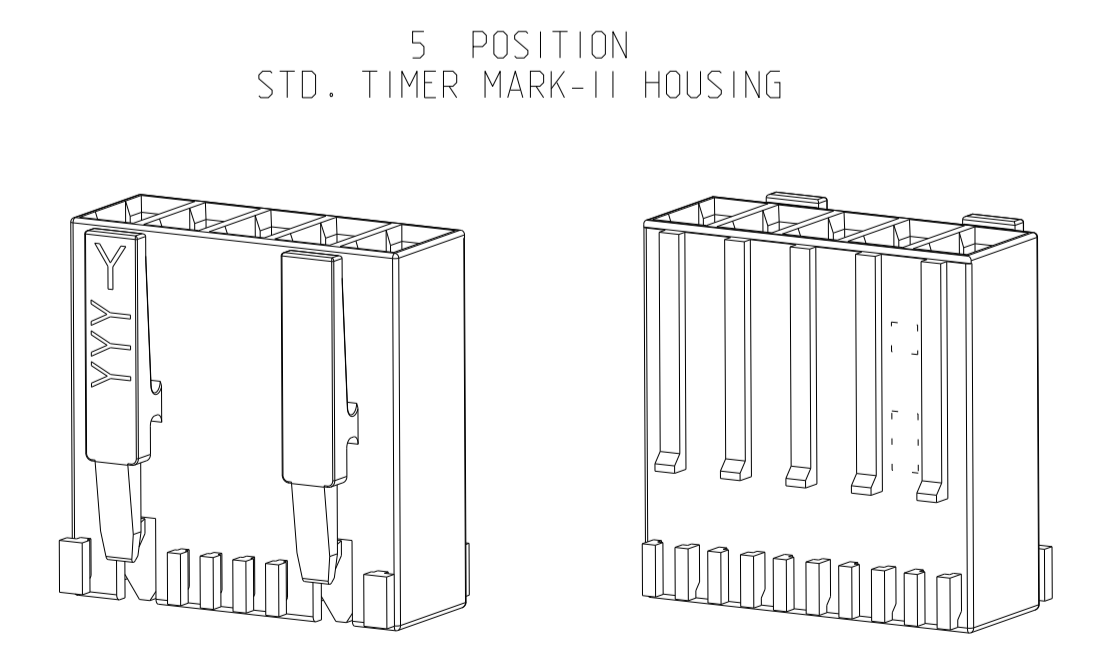
SECTION A-A / Schnitt A-A



SECTION B-B / Schnitt B-B

REMARKS/Bemerkungen

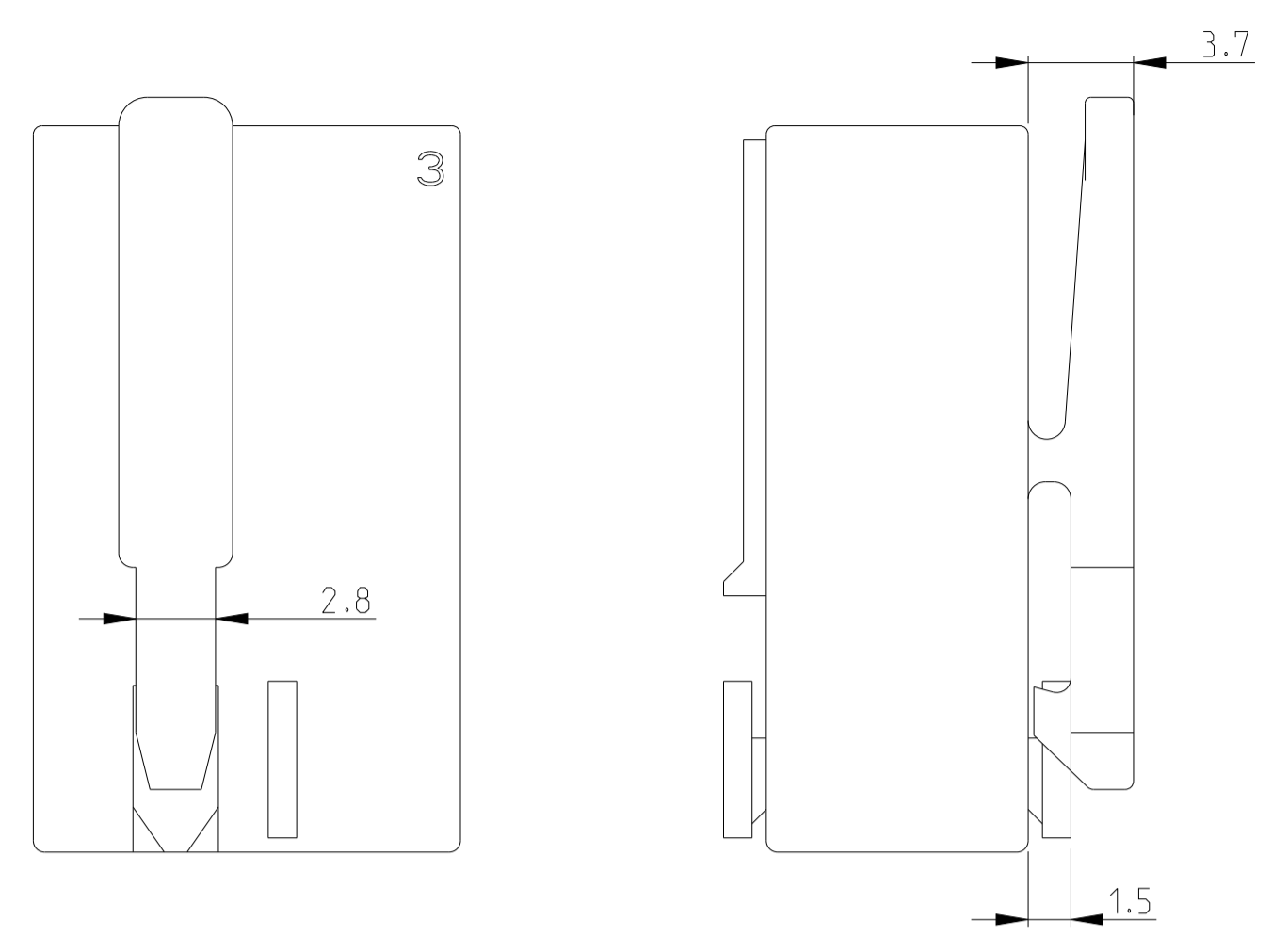
- 1 CAVITY SUITABLE FOR STANDARD TIMER CONTACTS LISTED IN PROD.SPEC. 108-18049, ITEM 3.3.2  
Kammer geeignet für Standard Timer Kontakte gelistet in Prod. Spec. 108-18049, Punkt 3.3.2
- 2 CONTACT CAVITY NO.  
Kontaktkammernummerierung
- 3 MATING STOP  
Tiefenanschlag
- 4 AREA FOR TE LOGO ACC. TO SPEC 202-36  
Bereich für TE Logo nach Spec. 202-36
- 5 POLARIZATION RIB POSITION "a" AND/OR "b"  
Polarisierungsrippe Position "a" und/oder "b"
- 6 KEYING RIB POSITION "c" AND/OR "d"  
Kodierrippe Position "c" und/oder "d"
- 6a KEYING RIB POSITION "c" AND/OR "d" AT THE END WALLS OF THE HOUSING  
Kodierrippe Position "c" und/oder "d" an den Gehäusestirnseiten
- 7 LOCKING LATCH  
Rasthaken
- 8 TE PART NO (PN)  
TE Bestell Nr. (PN)
- 9 DESIGN OF THE HOUSINGS ACC. TO RAST 5 STANDARD  
Gehäuseausführung gemäss RAST 5 Vorgabe
- 10 GENERAL SUITABLE TAB HEADER SEE RAST 5 PERFORMANCE  
Generell passende Flachsteckerwannen siehe RAST 5 Vorgabe
- 11 PACKAGING: BULK PACKAGING IN CORRUGATED BOX PN 740580-2  
2 POS. 2500 PIECES PER BOX / 3 POS. 2000 PIECES PER BOX  
Verpackung: Schüttgut in Versandkarton Pn 740580-2  
2pol. 2500 Stück per Karton / 3pol. 2000 Stück per Karton
- 12 DIMENSION A, B C AND D SEE SHEET 2 OF 3
- 13 MATERIAL CORRESPONDS TO THE REQUIRMENT EN 60335  
(INCL. GLOW WIRE TEST 750° WITHOUT FLAME)  
Material entspricht den Anforderungen der EN 60335  
(inkl. Glühdrahttest 750° ohne Flamme)
- 14 RATIO NUMBER OF THE KEYING VERSION, INKJET PRINTED. SEE SHEET 2  
Kodierungskennnummer, mit Tintenstrahldrucker aufgebracht. siehe Blatt 2
- 15 PRELIMINARY- NOT RELEASED FOR PRODUCTION
- 16 ONLY FOR 9-1241961-7, DIMENSION 3.2 -0.2
- 17 DOUBLE SOURCE RESIN: ALTERNATIVE RESIN UNDER APPROVAL
- 18 ALLOWED 25±0.2 FOR P/Ns X-2364739-X.



SCALE 2:1

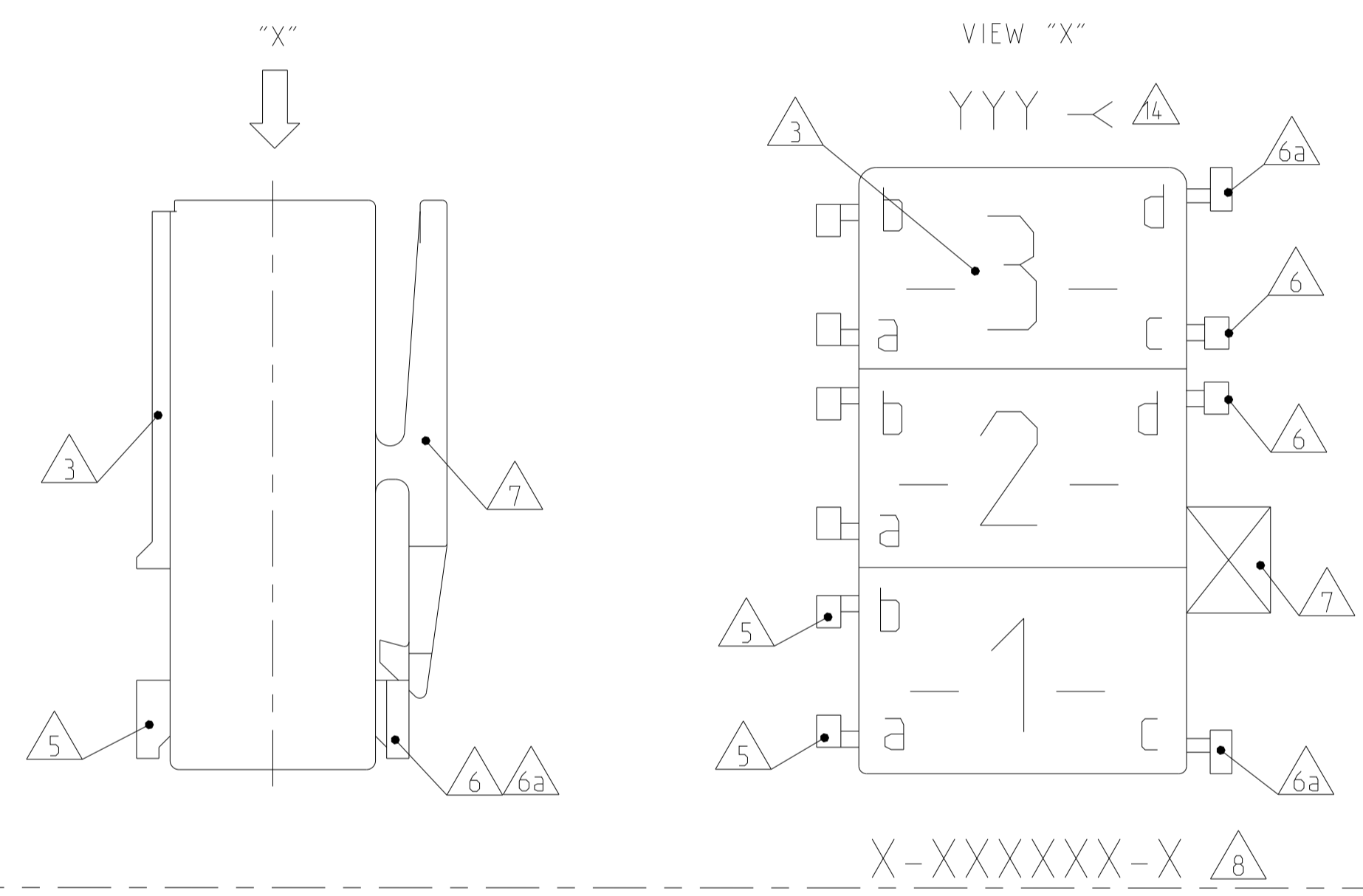
THIS DRAWING IS A CONTROLLED DOCUMENT.		OWN	Kishor M	18-10-07		NAME		STANDARD TIMER HSG. RAST 5 MARK II	
DIMENSIONS:		CHK	K. Mundz	18-10-07		PRODUCT SPEC		108-18049-1	Standard Timer Gehäuse RAST 5 Mark II
TOLERANCES UNLESS OTHERWISE SPECIFIED:		APVD	Tr. Klenner	18-10-07	APPLICATION SPEC				
mm	0 PLC ±0.2	SIZE		A1	CAGE CODE		00779	DRAWING NO	1241961
	1 PLC ±0.2	WEIGHT		-	RESTRICTED TO				
	2 PLC ±0.2	Customer Drawing			SCALE		5:1	SHEET	1 OF 4
	3 PLC ±0.2				REV		ES		
	4 PLC ±0.2								
	ANGLES								
	FINISH								

ONLY 5-1241961-7, 1-1241961-9, 7-1241961-7, 2345753-1



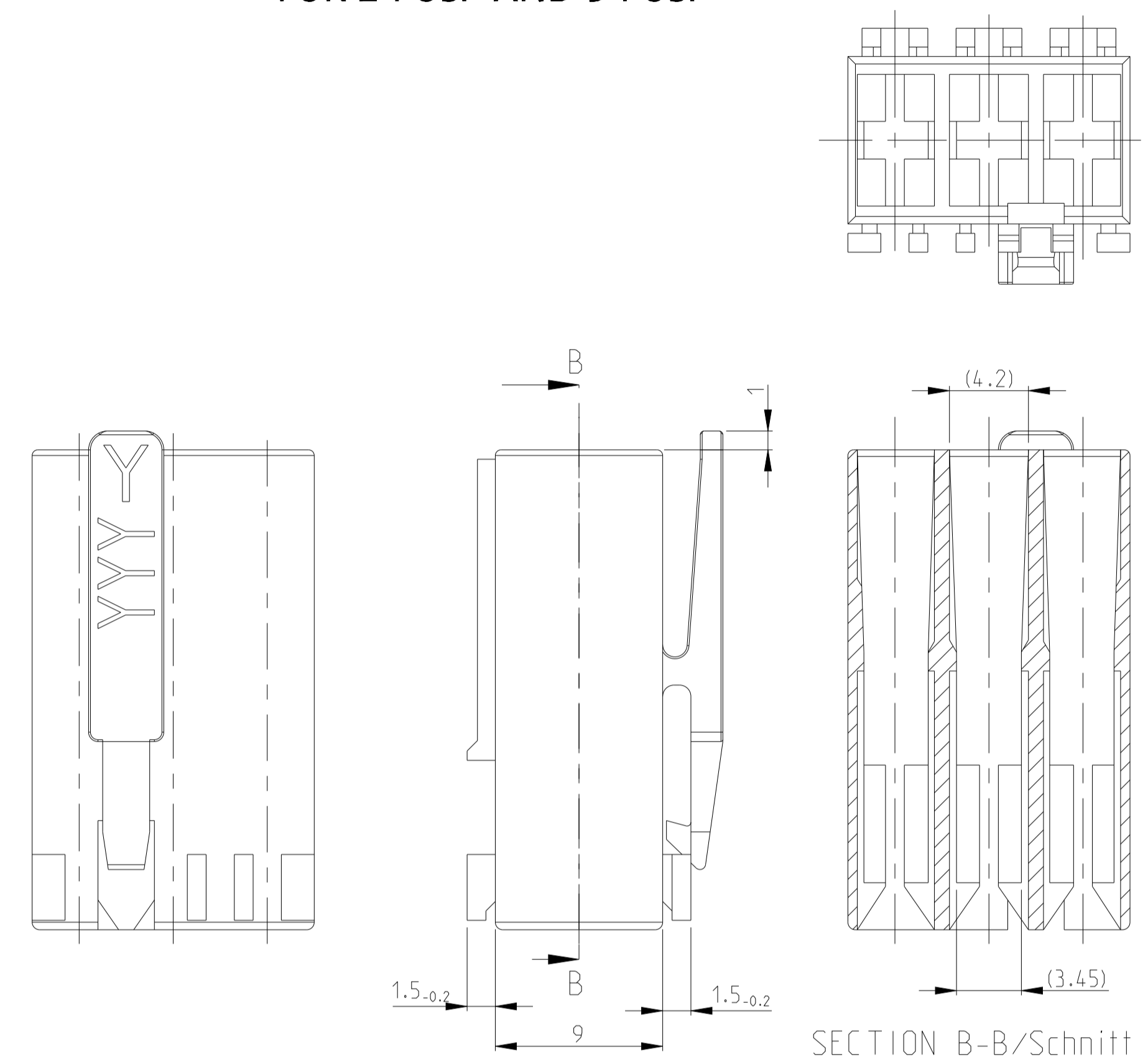
ALL OTHER DIMENSIONS SEE SHEET 1 OF 3

KEY LAYOUT DESCRIPTION



PAY ATTENTION !  
DIFFERENT CAVITY GEOMETRY AND LOCKING LATCHE OVERHANG  
Bitte beachten !  
Unterschiedliche Kammergeometrie und Rasthakenuberstand.

FOR 2 POS. AND 3 POS.



ALL OTHER DIMENSIONS SEE SHEET 1 OF 3  
Alle anderen Masse siehe Seite 1 von 3

SPECIAL MATERIAL: UL94 V0								
2345753-1	3	6	1	15	10	PA66	NATURAL	C

SPECIAL MATERIAL								
1955507-4	4	6	1	20	15	PA66	NATURAL	1
9-1955506-2	2	6	1	10	5	UL 94 V0	NATURAL	1

PART NO	POS.	DIM C	DIM D	DIM A	DIM B	MATERIAL	COLOUR	REV./Rev.
6-1241961-7	3			15	10	PA 6 UL94V-2	NATURAL	1
4-1241961-7	3			15	10	PA 6 UL94V-2	NATURAL	A
3-1241961-7	3	4	0.5	15	10	PA 6 UL94V-2	NATURAL	A
1-1955422-7	3			15	10	PA 66 UNFILLED UL94 V0	NATURAL	A
5-1955422-7	3			15	10	PA 66 UNFILLED UL94 V0	NATURAL	A
4-1955422-3	2	6	1	10	5	PA 66 UNFILLED UL94 V0	NATURAL	A
2-1241817-3	3	4 or 6	0.5 or 1	15	10	PA 66 UL94 V-2	Green	E
0-1955422-6	3			15	10	PA 66 UNFILLED UL94 V0	NATURAL	A
8-1241961-8	3			15	10	PA 6 UL94V-2	natural	C
0-1241961-8	3			15	10			A
8-1241961-3	2			10	5			C
3-1241961-1	2			10	5	PA 6 UL94V-2	NATURAL	C
0-1955422-1	2			10	5	PA 66 UNFILLED UL94 V0	NATURAL	A

SPECIAL VERSION: UL94 V0 & GWT 750NF							
2178571-3	4		1	20	15	PA 66, UL94 V-0	NATURAL
2178571-1	3			15	10	PA 66, UL94 V-0	NATURAL
2178571-2	2	4		10	5	PA 66, UL94 V-0	NATURAL
1-2178571-3	3			15	10	PA 66, UL94 V-0	NATURAL
PART NO	POS	DIM C	DIM D	DIM A	DIM B	MATERIAL	COLOUR Farbe

LOC		DIST		REVISIONS			
P	LTN	DESCRIPTION	DATE	OWN	APVD		
		SEE SHEET T-01					

PART NO	POS.	DIM C	DIM D	DIM A	DIM B	MATERIAL	COLOUR	REV
0-1241959-5	5			25	20	PA 6 UL94V-2	Natural/natur	B
4-1241959-4	4	4	0.5	20	15		A	
2-1241959-4	4			20	15		B	
0-1241959-4	4			20	15			
2-1241817-5	5	6	1	25	20	PA 6.6 UL94V-2	Natural/natur	C
0-1241817-5	4	0.5		25	20		Black/schwarz	
3-1241817-4	4			20	15		Violet/violett	
2-1241817-4	4	6	1	20	15		Grey/grau	
0-1241817-4	4	4	0.5	20	15	Natural/natur		
2-1241983-2				10	5	PA 6 UL94V-2	Green/grün	C
1-1241983-2				10	5		Violet/violett	
0-1241983-2	2	4	0.5	10	5		TARGET RAL 4001	
8-1241983-2				10	5		Yellow/gelb	
5-1241983-3				10	5		Black/schwarz	
6-1241983-2				10	5		Blue/blau	
6-1241983-2				10	5	Red/rot		
9-1241961-7	4	0.5		15	10	PA 6 UL94V-2	Natural/natur	C
9-1241961-8	4	0.5		15	10			
6-1241961-8	4	0.5		15	10			
5-1241961-8	4 or 6	0.5 or 1		15	10			
4-1241961-8	4	0.5		15	10			
7-1241961-8	4	0.5		15	10			
1-1241961-8	4 or 6	0.5 or 1		15	10			
3-1241961-8	6	1		15	10			
2-1241961-8				15	10			
2-1241961-7				15	10			
1-1241961-7	4	0.5		15	10			
9-1241961-9				15	10			
0-1241961-6				15	10			
3-1241961-3				10	5			
2-1241961-2				10	5			
5-1241961-2				10	5			
4-1241961-3				10	5			
7-1241961-2				10	5			
7-1241961-3				10	5			
6-1241961-3	2	4	0.5	10	5			
3-1241961-2				10	5			
5-1241961-3				10	5			
6-1241961-2				10	5			
0-1241961-3				10	5			
8-1241961-2				10	5			
9-1241961-2				10	5			
0-1241961-1				10	5			
9-969484-9	3	6	1	15	10	PA 6.6 UL94V-2	Yellow/gelb	H
2-969484-8				15	10			
4-969484-8	4 or 6	0.5 or 1		15	10			
0-969484-8				15	10			
9-969484-7				15	10			
8-969484-7	4	0.5		15	10			
7-969484-7				15	10			
6-969484-7				15	10			
5-969484-7	4	0.5		15	10			
4-969484-7				15	10			
3-969484-7	4	0.5		15	10			
2-969484-7	4	0.5		15	10			
1-969484-7	3	4	0.5	15	10			
0-969484-7				15	10			
9-969484-6				15	10			
8-969484-6	6	1		15	10			
7-969484-6				15	10			
6-969484-6				15	10			
5-969484-6				15	10			
4-969484-6				15	10			
3-969484-6	6	1		15	10			
2-969484-6				15	10			
1-969484-6				15	10			
0-969484-6				15	10			
7-969484-3				10	5			
6-969484-3				10	5			
5-969484-3	4	0.5		10	5			
4-969484-3				10	5			
3-969484-3				10	5			
2-969484-3				10	5			
1-969484-3				10	5			
0-969484-3				10	5			
9-969484-2				10	5			
8-969484-2				10	5			
7-969484-2				10	5			
6-969484-2	4	0.5		10	5			
5-969484-2				10	5			
4-969484-2				10	5			
3-969484-2				10	5			
2-969484-2				10	5			
1-969484-2				10	5			
0-969484-2				10	5			
9-969484-1				10	5			
8-969484-1	4	1		10	5			
7-969484-1				10	5			
6-969484-1	6	1		10	5			
5-969484-1				10	5			
4-969484-1	6	1		10	5			
3-969484-1				10	5			
2-969484-1	4	0.5		10	5			
1-969484-1				10	5			
0-969484-1				10	5			

THIS DRAWING IS A CONTROLLED DOCUMENT. DIMENSIONS: mm. TOLERANCES UNLESS OTHERWISE SPECIFIED: 0 PLC ±0.2, 1 PLC ±0.2, 2 PLC ±0.2, 3 PLC ±0.2, 4 PLC ±0.2, ANGLES FINISH ±\*.

Customer Drawing

STE TE Connectivity

STANDARD TIMER HSG. RAST 5 MARK II Standard Timer Gehäuse RAST 5 Mark II

SIZE: A1, CAGE CODE: 00779, DRAWING NO: 1241961, SHEET 2 OF 4, REV E5

LOC	DIST	REVISONS	DATE	OWN	APVD
		DESCRIPTION			
		SEE SHEET 1			

SPECIAL VERSION: UL94 V0 & GWEPT 750°C NF									
2364739-5	5	4	0.5	25	20	PA66 13 17	BLUE	C	
2364739-4	4			20	15		BLUE	C	
1-2364739-3	3			15	10		BLUE	C	
2364739-3	3			15	10		BLUE	C	
1-2364739-2	2			10	5		BLUE	C	
2364739-2	2			10	5		BLUE	C	
3-2364739-2	2	10	5	BLUE	C				
2-2364739-2	2	10	5	BLUE	C				

SPECIAL VERSION: UL94 V0 & GWT 750 NF & CTI 350									
5-1241961-7	3	6	1	15	10	PA66 13	NATURAL	A	
1-1241961-9	3			15	10		NATURAL	A	
7-1241961-7	3			15	10		NATURAL	A	

SPECIAL VERSION: UL94 V0 & GWT 750 NF									
2322164-1	4	4	0.5	20	15	PA66 13	NATURAL	1	

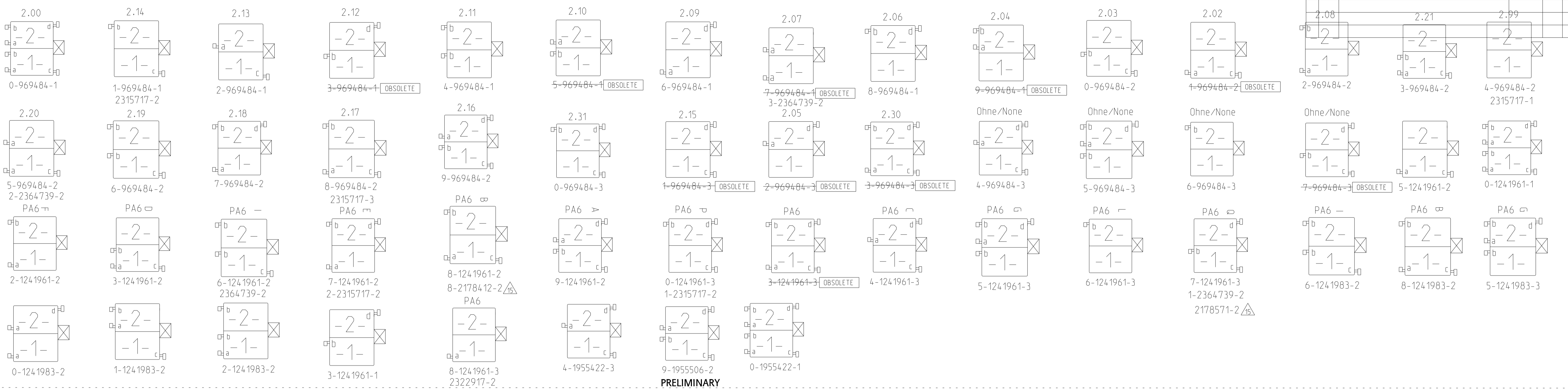
SPECIAL VERSION: UL94 V2 & GWT 750 NF									
6-2178575-7	3	4	0.5	15	10	PA6 GF15 13	NATURAL	A	

SPECIAL VERSION: UL94 V0 & GWT 750 NF									
3-2178412-7	3	6	1	15	10	PA66 13 UL94 V0 & GWT 750 NF	NATURAL	1	
4-2178412-7	3			15	10		NATURAL	1	
8-2178412-2	2			10	5		NATURAL	1	

UL94 V0 & GWT 750 NF											
2322917-4	4	4	0.5	20	15	PA66 UL94 V0 & GWT 750 NF 13	NATURAL	C			
2322917-2	2			10	5		NATURAL	C			
2315717-1	2			10	5		NATURAL	C			
2315717-2	2			10	5		NATURAL	C			
2315717-3	2			10	5		NATURAL	C			
1-2315717-2	2			10	5		NATURAL	E			
2-2315717-2	2			10	5		NATURAL	E			
2315717-4	4			20	15		NATURAL	C			
2315717-5	4			20	15		NATURAL	C			
2315717-6	3			15	10		NATURAL	C			
2315717-7	3			15	10		NATURAL	C			
1-2315717-3	3			15	10		NATURAL	E			
PART NO.	POS			DIM C 12	DIM D 12		DIM A 12	DIM B 12	MATERIAL	COLOUR	REV.

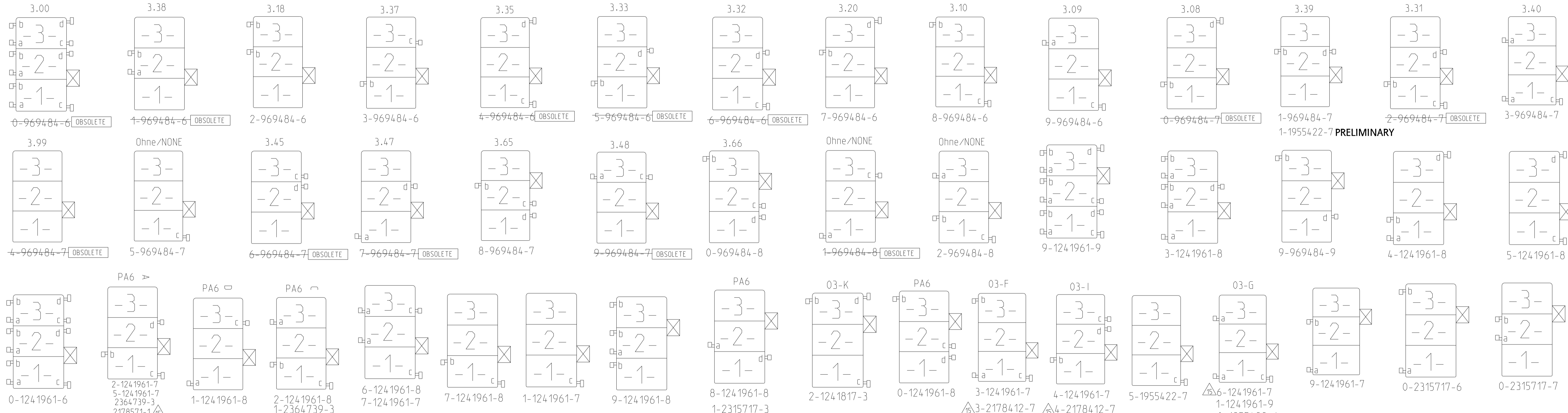
THIS DRAWING IS A CONTROLLED DOCUMENT.		OWN: Kishor M. 18-10-07	
DIMENSIONS: mm		CHK: K. MUNDZ 18-10-07	
TOLERANCES UNLESS OTHERWISE SPECIFIED:		APVD: Th. Klenner 18-10-07	
0 PLC ±0.2 1 PLC ±0.2 2 PLC ±0.2 3 PLC ±0.2 4 PLC ±0.2 ANGLES ° FINISH *		NAME: STANDARD TIMER HSG. RAST 5 MARK II Standard Timer Gehäuse RAST 5 Mark II	
MATERIAL: SEE TABLES, SHEETS PAGE 2 AND 3 OF 4		WEIGHT: -	RESTRICTED TO: -
Customer Drawing		SCALE: 5:1	SHEET: 3 OF 4
		DRAWING NO: 100779	REV: ES
		CAGE CODE: 1241961	

### 2 POSITION VARIANTS



PRELIMINARY

### 3 POSITION VARIANTS



THIS DRAWING IS A CONTROLLED DOCUMENT.		OWN: K. Kishor M. 18-10-07	TE Connectivity NAME: STANDARD TIMER HSG. RAST 5 MARK II Standard Timer Gehäuse RAST 5 Mark II
DIMENSIONS: mm		CHK: K. Mundz 18-10-07	
TOLERANCES UNLESS OTHERWISE SPECIFIED:		APPV: T. Klanner 18-10-07	SIZE: A1
0 PLC ±0.2 1 PLC ±0.2 2 PLC ±0.2 3 PLC ±0.2 4 PLC ±0.2 ANGLES ±° FINISH ±*		PRODUCT SPEC: 108-18049	RESTRICTED TO: -
MATERIAL: SEE TABLES, SHEETS PAGE 2 AND 3 OF 4		WEIGHT: -	SCALE: 5:1
		Customer Drawing	REV: E5

## X-ON Electronics

Largest Supplier of Electrical and Electronic Components

*Click to view similar products for [Automotive Connectors](#) category:*

*Click to view products by [TE Connectivity](#) manufacturer:*

Other Similar products are found below :

[003-018-000](#) [60403001](#) [60993906-B](#) [M902-2131](#) [M902-2161](#) [M902-2344](#) [72.330.1035.1](#) [73.353.4028.0](#) [F119300-B](#) [F166900](#) [F258300-B](#)  
[F358300-B](#) [F407400](#) [F444110](#) [F487000](#) [F509500B-B](#) [827153-1](#) [8N1515-32-24P](#) [9-1326729-8](#) [925474-1](#) [928905-1](#) [964562-4](#) [968782-1](#)  
[GT17SA-8DS-HU](#) [98891-1012](#) [98947-1016](#) [12004147](#) [12004475-L](#) [12010290](#) [12015454](#) [12020219-B](#) [12041318-B](#) [12052225-L](#) [12052466](#)  
[12064869](#) [12004327-B](#) [12015308](#) [12015384](#) [12015909](#) [1-21030-1](#) [12041254](#) [12041318](#) [12047946-B](#) [12047957](#) [12047957-L](#) [12059473](#)  
[12066261](#) [12110546](#) [12110546-B](#) [12131792](#)