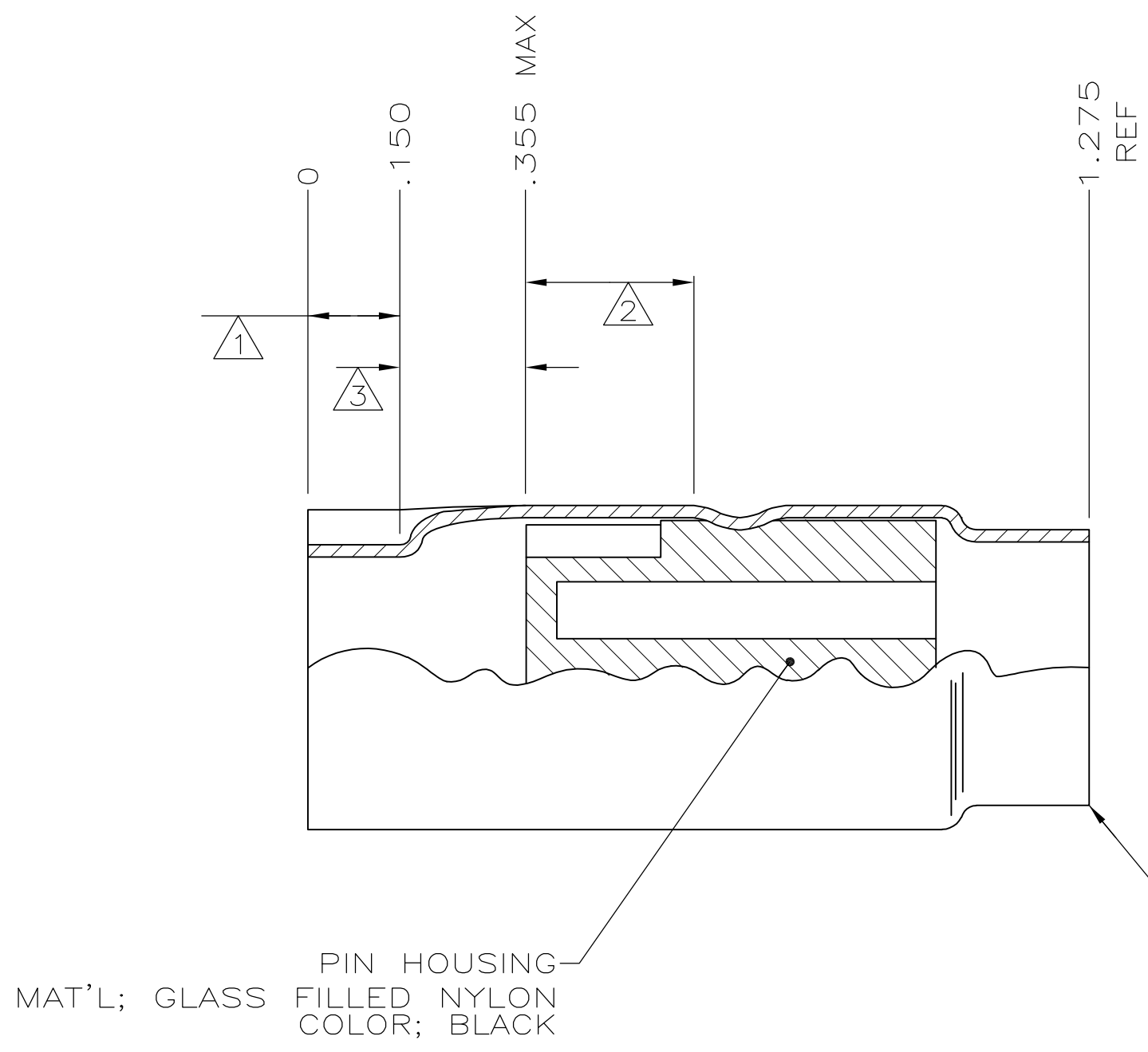
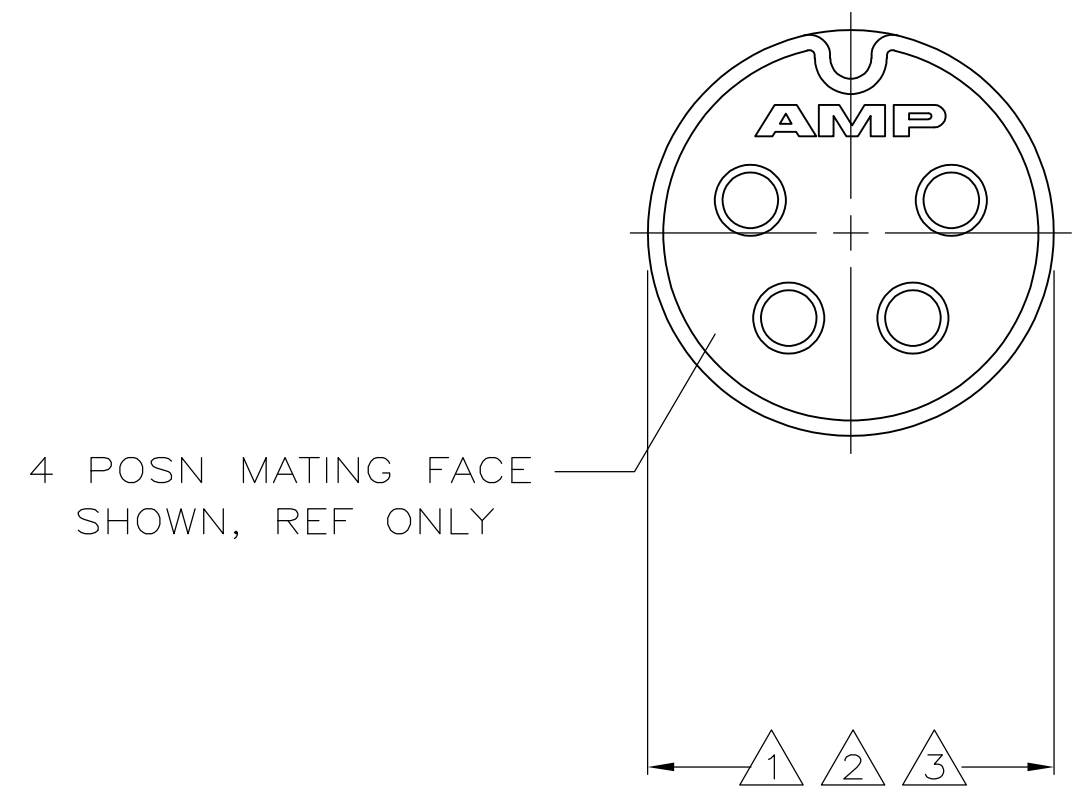


THIS DRAWING IS UNPUBLISHED. RELEASED FOR PUBLICATION
 © COPYRIGHT - By - ALL RIGHTS RESERVED.

LOC		DIST		REVISIONS			
P	LTR	DESCRIPTION	DATE	DWN	APVD		
GP	00	J1	REVISED PER ECO-11-005033	23MAR11	RK	HMR	



- ① SHELL DIAMETER IN THIS AREA TO BE $.529 \pm .005$ MEASURED ANYWHERE EXCEPT OVER KEY.
- ② SHELL DIAMETER IN THIS AREA TO BE $.531 \pm .003$.
- ③ SHELL DIAMETER IN KEY TRANSITION AREA MAY NOT EXCEED $.535$ AT ANY MEASUREMENT POINT.
- ④ TIN-LEAD.
- ⑤ TIN.

	⑤	CIRCULAR DIN SUB-ASSEMBLY, 8 POSITION	9-212437-2
	⑤	CIRCULAR DIN SUB-ASSEMBLY, 6 POSITION	9-212437-1
	⑤	CIRCULAR DIN SUB-ASSEMBLY, 5 POSITION	9-212437-0
	⑤	CIRCULAR DIN SUB-ASSEMBLY, 4 POSITION	212437-7
OBSOLETE	④	CIRCULAR DIN SUB-ASSEMBLY, 8 POSITION	212437-6
OBSOLETE	④	CIRCULAR DIN SUB-ASSEMBLY, 7 POSITION	212437-5
OBSOLETE	④	CIRCULAR DIN SUB-ASSEMBLY, 6 POSITION	212437-4
OBSOLETE	④	CIRCULAR DIN SUB-ASSEMBLY, 5 POSITION	212437-3
OBSOLETE	④	CIRCULAR DIN SUB-ASSEMBLY, 4 POSITION	212437-2
OBSOLETE	④	CIRCULAR DIN SUB-ASSEMBLY, 3 POSITION	212437-1
SHIELD FINISH		DESCRIPTION	PART NUMBER

THIS DRAWING IS A CONTROLLED DOCUMENT.		DWN 11-10-05 L. Varela - Dock5	TE TE Connectivity															
DIMENSIONS: INCHES		CHK 11-10-05 C. ROHDE																
TOLERANCES UNLESS OTHERWISE SPECIFIED:		APVD 11-10-05 M. WALMSLEY	NAME CIRCULAR DIN PLUG, SUB-ASSEMBLY															
<table border="1"> <tr><td>0 PLC</td><td>± -</td></tr> <tr><td>1 PLC</td><td>± -</td></tr> <tr><td>2 PLC</td><td>± -</td></tr> <tr><td>3 PLC</td><td>± .010</td></tr> <tr><td>4 PLC</td><td>± -</td></tr> <tr><td>ANGLES</td><td>± -</td></tr> </table>		0 PLC	± -	1 PLC	± -	2 PLC	± -	3 PLC	± .010	4 PLC	± -	ANGLES	± -	PRODUCT SPEC	SIZE	CAGE CODE	DRAWING NO	RESTRICTED TO
0 PLC	± -																	
1 PLC	± -																	
2 PLC	± -																	
3 PLC	± .010																	
4 PLC	± -																	
ANGLES	± -																	
MATERIAL SEE TABLE		FINISH SEE TABLE	WEIGHT -	A2	00779	C=212437	-											
		CUSTOMER DRAWING	SCALE 1:1	SHEET 1 of 1	REV J1													

X-ON Electronics

Largest Supplier of Electrical and Electronic Components

Click to view similar products for [Specialised Cables category](#):

Click to view products by [TE Connectivity manufacturer](#):

Other Similar products are found below :

[603PT6](#) [603SS6L](#) [604PT6](#) [604SS6](#) [706000D02F200](#) [910640](#) [1200740077](#) [1200740114](#) [AC172](#) [ACL-SSI-4](#) [R88ACAKA0015SRE](#)
[R88ACAWL005SDE](#) [R88ACRGD0R3C](#) [1300150047](#) [1300660036](#) [1302262116](#) [1300150149](#) [1300220020](#) [1300220104](#) [1300220119](#)
[1301240492](#) [1301810221](#) [1365323-1](#) [1613055](#) [176P12](#) [1971465-2](#) [20240400003](#) [20240400013](#) [2085828-1](#) [20886510030](#) [2-22733-8](#) [22733-](#)
[8](#) [CB-5PSBC-RS](#) [CB-704EC-RS](#) [CB-BATACC-RS](#) [CB-JST3PSW-RS](#) [CB-M12COM-R10](#) [25AC84](#) [25AK84X](#) [25AU25](#) [25FN82](#) [3011-03](#)
[AC118](#) [ACL-HHS-1M\(CAT5E\)](#) [SSL009PC2DC012N](#) [FC2A-KC6C](#) [2085828-2](#) [20886510150](#) [CCS-FCB-5](#) [CCSFCBF2](#)