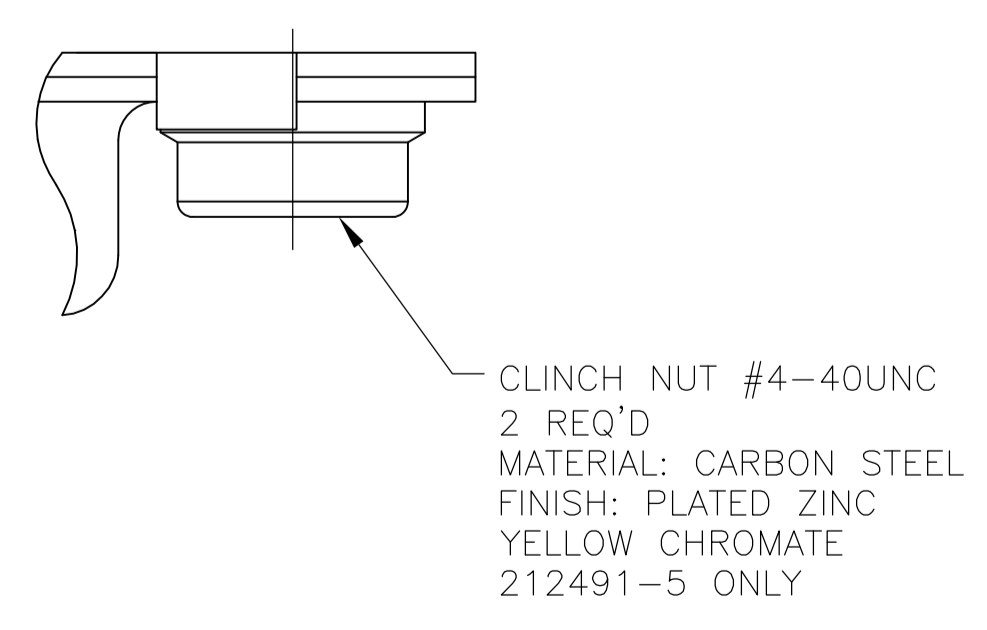
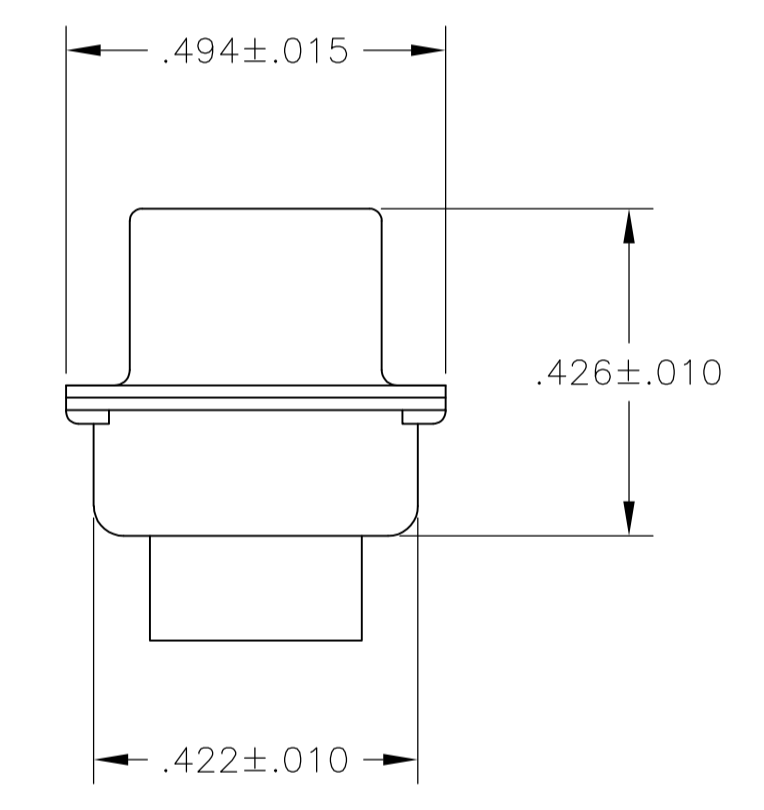
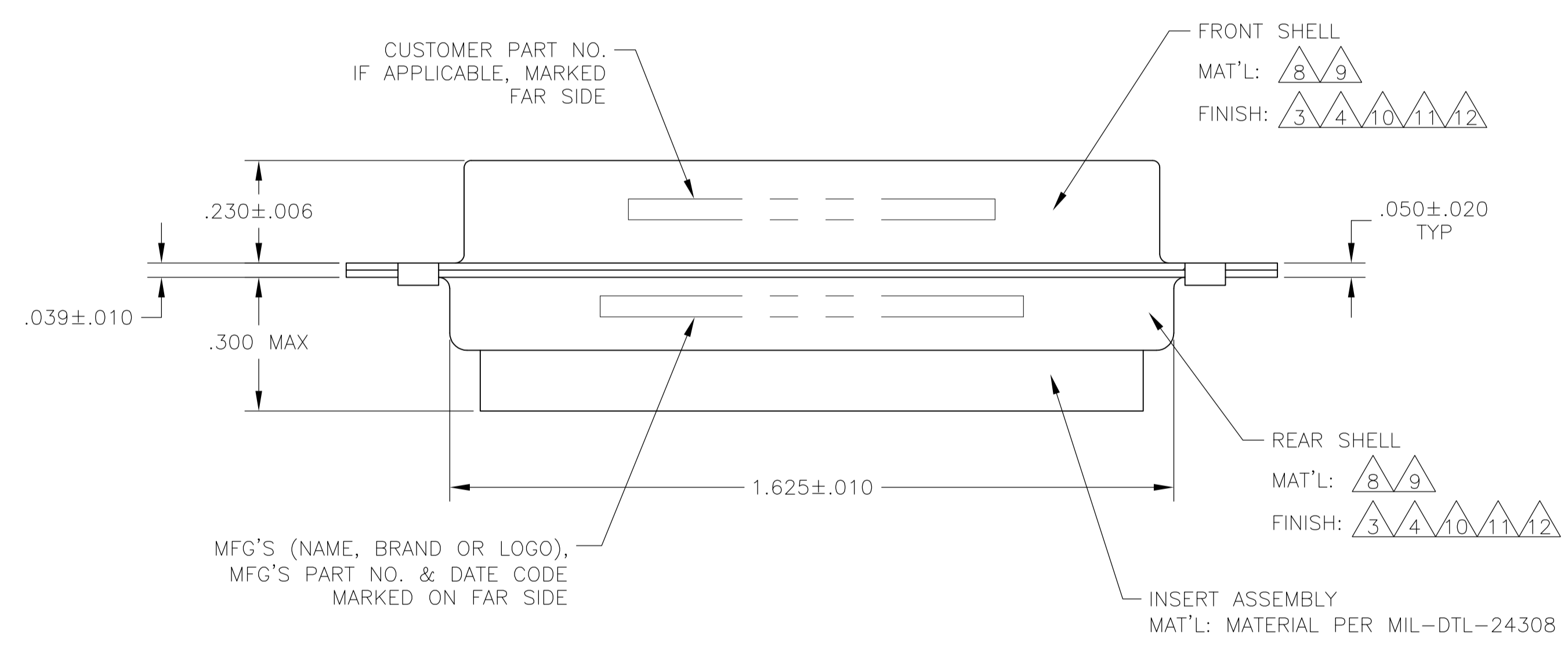
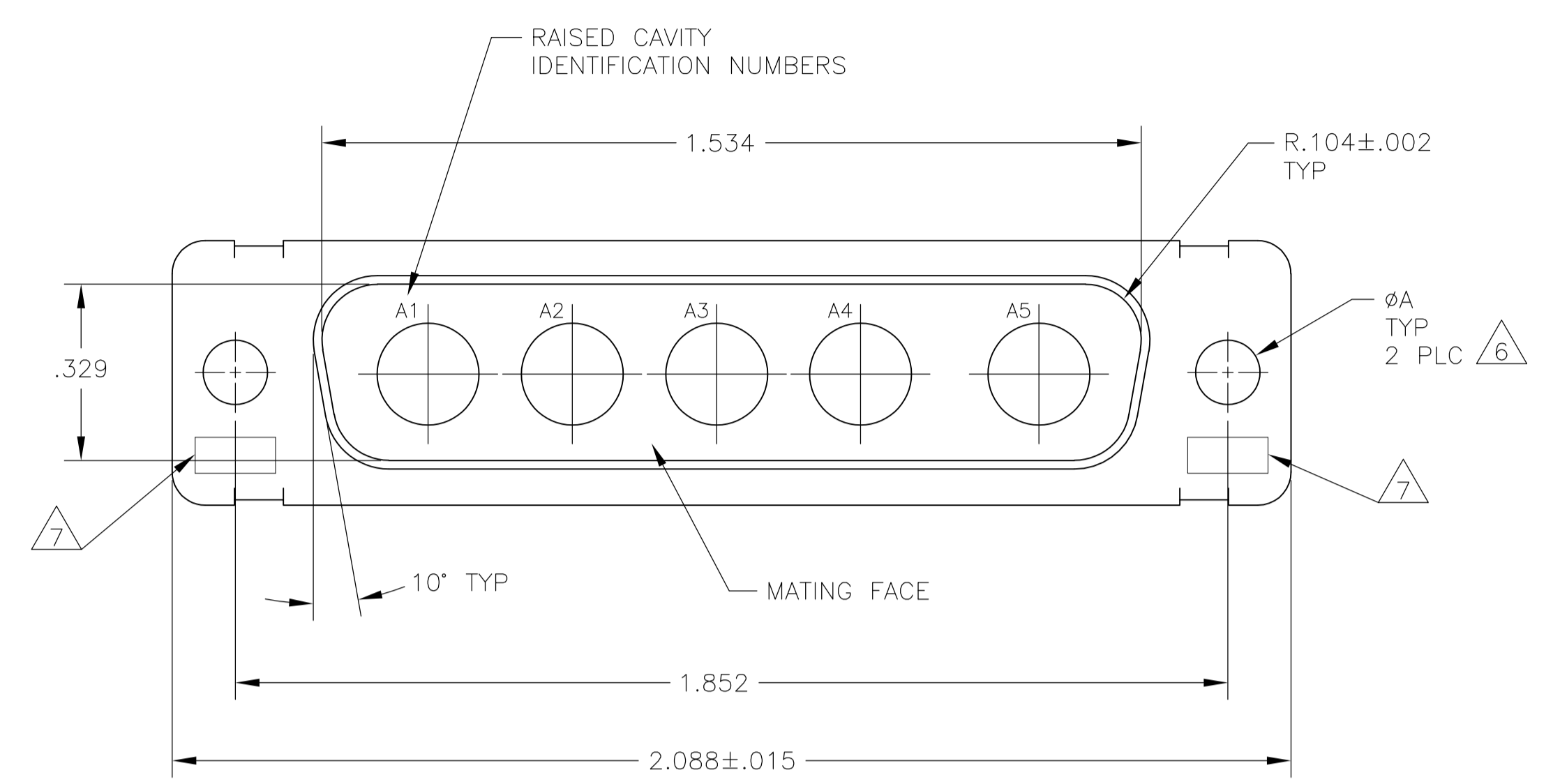


LOC		DIST		REVISIONS			
P	LTR	DESCRIPTION	DATE	DN	APVD		
V		REVISED PER ECO-15-016251	13NOV15	KG	CD		



- THIS PLUG WILL MATE WITH ANY 5C5, SIZE 3 RECEPTACLE IN AMPLIMITE SERIES.
- USE (5) SIZE 8 POWER, OR COAX PIN CONTACTS. CONSULT PRODUCT ENGINEERING FOR MORE DETAILS.
- CADMIUM PLATED PER QQ-P-416, TYPE II, CLASS 2.
- FINISH: TIN PER ASTM-B-545 .000200 MIN THK OVER COPPER PER AMS2418 .000100-.000200 THK.
- GROUNDING INDENTS FOR 212491-3, 212491-5, 212491-9, 5-212491-3, & 5-212491-5 (NOT SHOWN ON DWG).
- 212491-5 & 5-212491-5 SUPPLIED WITH 4-40UNC-2B CLINCH NUTS IN THE MOUNTING HOLE LOCATIONS.
- UL/CSA DESIGNATION STAMPED IN THIS AREA, OPTIONAL.
- STEEL PER ASTM-A-109.
- BRASS PER ASTM-B-36 AND MIL-C-50.
- FINISH: PLATED GOLD PER MIL-G-45204, TYPE II, GRADE C OVER COPPER PLATE PER MIL-C-14550, CLASS IV.
- FINISH: TIN PER ASTM-B-545 .000400 MIN THK OVER COPPER PER AMS2418 .000050 MIN THK.
- FINISH: ZINC PLATE PER ASTM-B-633 .000200-.000400 THK WITH SUPPLEMENTARY CHROMATE (Cr3+).

NOT RELEASED FOR PRODUCTION

CUSTOMER PART NO.	φA	REMARKS	PART NO.
NOT APPLICABLE	△6	△5△8△11	5-212491-5
NOT APPLICABLE	.120	△5△8△11	5-212491-3
NOT APPLICABLE	.120	△8△12	5-212491-1
NOT APPLICABLE	.120	△8△11	1-212491-0
NOT APPLICABLE	.120	△5△8△11	212491-9
B010942-0015	.120	△9△10	212491-8
311P405-10P-B-15	.154	△9△10	212491-7
311P405-10P-B-12	.120	△9△10	212491-6
NOT APPLICABLE	△6	△4△5△8	212491-5
97942-645A935H02	.120	△3△8	212491-4
NOT APPLICABLE	.120	△4△5△8	212491-3
NOT APPLICABLE	.120	△3△8	212491-2
NOT APPLICABLE	.120	△3△8	212491-1
CUSTOMER PART NO.	φA	REMARKS	PART NO.

THIS DRAWING IS A CONTROLLED DOCUMENT. **STE** TE Connectivity

DIMENSIONS: INCHES 0 PLC ± - 1 PLC ± - 2 PLC ± - 3 PLC ± .005(0.13) 4 PLC ± ± 0°.30' ANGLES ± ± 0°.30'	TOLERANCES UNLESS OTHERWISE SPECIFIED: 0 PLC ± - 1 PLC ± - 2 PLC ± - 3 PLC ± .005(0.13) 4 PLC ± ± 0°.30' ANGLES ± ± 0°.30'	DRAWN: MANJUNATH G.M. 27-May-15 CHK: CHARLES THOMAS 27-May-15 APVD: CHARLES THOMAS 27-May-15 NAME: CHARLES THOMAS PRODUCT SPEC: PLUG ASSEMBLY AMPLIMITE 5C5 SIZE 3, SERIES 109, COAX MIX APPLICATION SPEC: PLUG ASSEMBLY AMPLIMITE 5C5 SIZE 3, SERIES 109, COAX MIX SIZE: A1 CAGE CODE: 00779 DRAWING NO: 212491 WEIGHT: - CUSTOMER DRAWING: - SCALE: 4:1 SHEET: 1 OF 1 REV: V
--	--	---

X-ON Electronics

Largest Supplier of Electrical and Electronic Components

Click to view similar products for [D-Sub MIL Spec Connectors](#) category:

Click to view products by [TE Connectivity](#) manufacturer:

Other Similar products are found below :

[M85049/50-5F](#) [D38999/24WG11PB-LC](#) [MDM-9SH006A](#) [1218697-4](#) [D38999/26WJ61PC L/C](#) [1484349-1](#) [17D25HV](#) [1996840-1](#) [243082-15](#)
[1757682-1](#) [17D-E51218-1](#) [17SDA15S](#) [1883533-1](#) [1883886-1](#) [1883889-1](#) [192900-0377](#) [M24308/8-347](#) [M83513/03-E09C](#) [443961-3](#) [5-](#)
[1218949-1](#) [550-031NF1R6K](#) [3-1236089-2](#) [550E001NF1R3J0L](#) [550T001NF1R6K0L](#) [557T283NF5B08](#) [DB121073-56](#) [DC121073157](#)
[443869-3](#) [443869-4](#) [443869-5](#) [550S004NF1R1B0F03](#) [557E283NF1A06](#) [527-019NF0303R2K1F](#) [5-446405-1](#) [550-031NF1R2E](#)
[550E003M2R9J0F04](#) [550E003M3R9J0F05](#) [550E024M104R9J0](#) [550E024NF102R3J0B](#) [550E039NF1R3J1-02](#) [550S003M3R9B0F05](#)
[550S004M4R7M0F04](#) [550S004NF1R1B1F02](#) [550S008M3F0K0F04](#) [550S086M5R3J0L](#) [550S100NF3F0E](#) [550T001M2R7E0L](#)
[550T001NF1F0B1L](#) [550T001NF1R1K0G](#) [550T001NF1R3K0G](#)