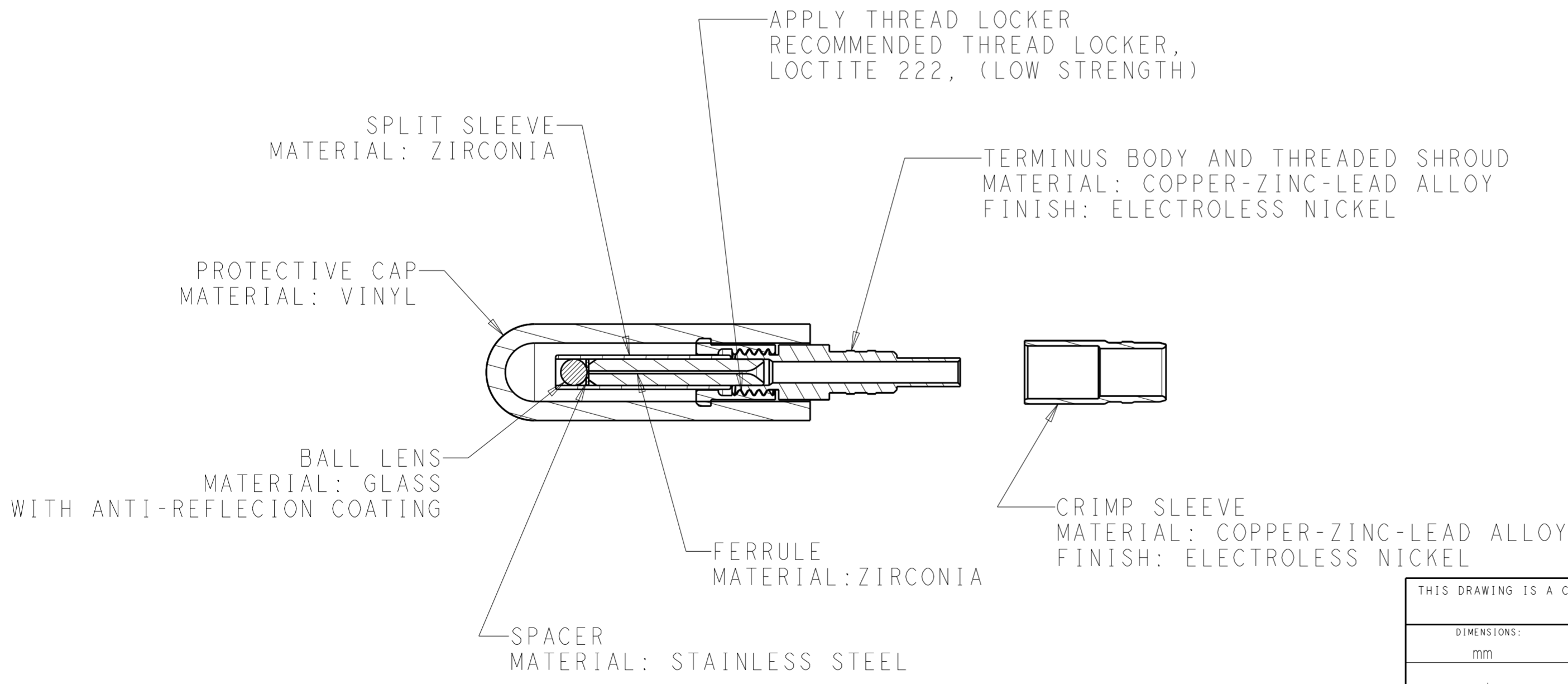
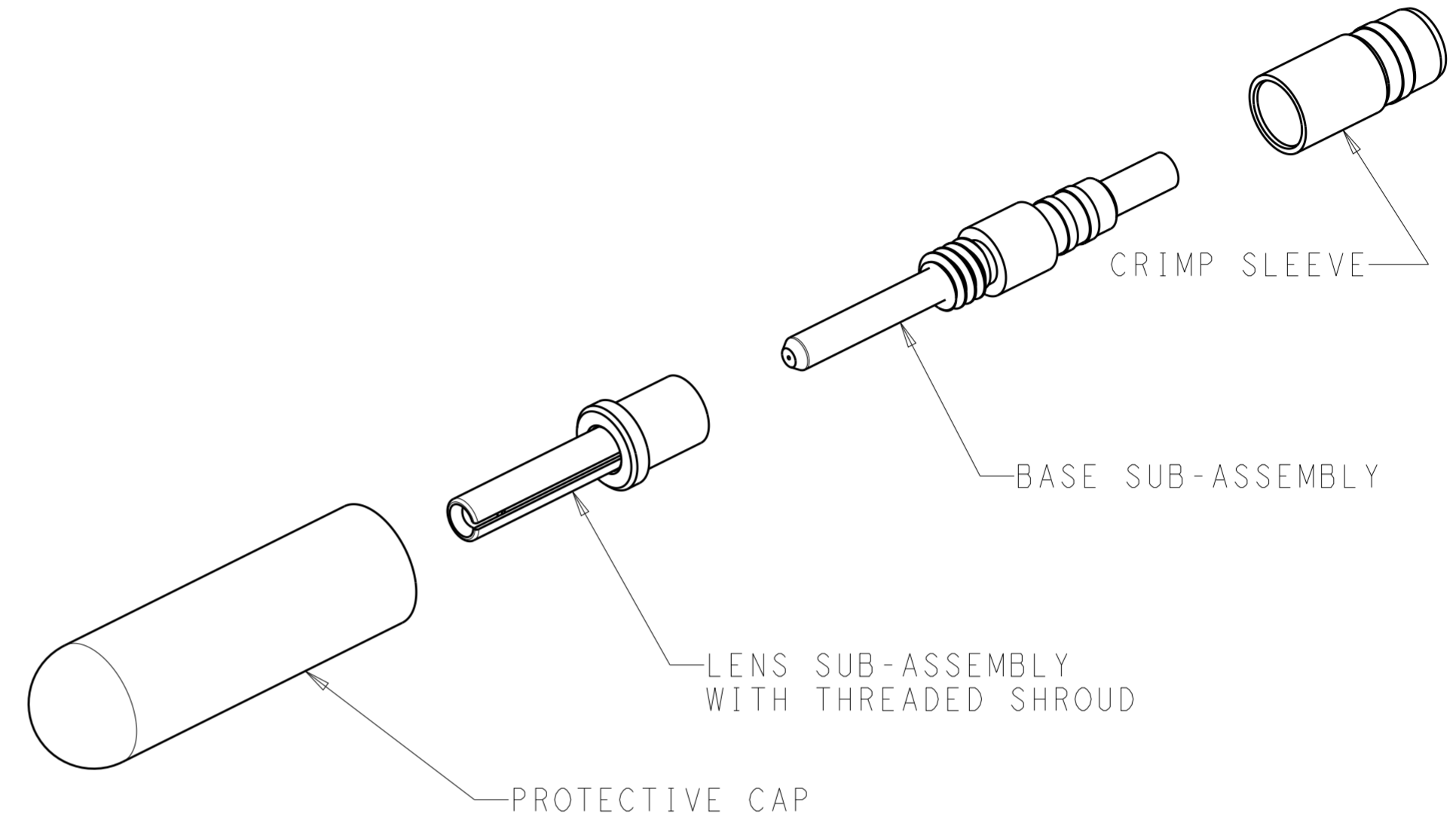


THIS DRAWING IS UNPUBLISHED. RELEASED FOR PUBLICATION 20  
 © COPYRIGHT 20 BY - ALL RIGHTS RESERVED.

LOC		DIST		REVISIONS			
P	LTR	DESCRIPTION	DATE	DWN	APVD		
1		PROPOSED	30JAN2013	DF	SG		
2		REVISED NOTE, LENS SUB-ASSY WAS NOSE	18MAR2014	DF	SG		
3		REMOVED CRIMP PROTECTIVE CAP	03SEP2014	DF	SG		
A		ECO-14-018447	15DEC2014	KG	JB		



⚠ KIT PACKAGED, BASE SUB-ASSEMBLY, NOSE SUB-ASSEMBLY WITH SHROUD, PROTECTIVE CAP AND CRIMP SLEEVE

⚠	2125059-1
COMMENTS	PART NUMBER

THIS DRAWING IS A CONTROLLED DOCUMENT.		DWN D. FABIAN	19OCT2012	<b>STE</b> TE Connectivity	
DIMENSIONS: mm		CHK	-		
TOLERANCES UNLESS OTHERWISE SPECIFIED:		APVD	-	NAME KIT, PIN TERMINUS ASSEMBLY SIZE 16 EB	
0 PLC	±	PRODUCT SPEC	108-127013	SIZE CAGE CODE DRAWING NO	
1 PLC	±	APPLICATION SPEC	-	A200779 C-2125059	
2 PLC	±0.13	WEIGHT	-	RESTRICTED TO	-
3 PLC	±	Customer Drawing	SCALE 5:1	SHEET 1 OF 1	REV A
4 PLC	±				
ANGLES	±1				
FINISH					

## X-ON Electronics

Largest Supplier of Electrical and Electronic Components

*Click to view similar products for [Fibre Optic Cable Assemblies](#) category:*

*Click to view products by [TE Connectivity](#) manufacturer:*

Other Similar products are found below :

[F9L12D5-5F26](#) [FXE3-10CM3](#) [2061529-7](#) [FXE3-10EM3](#) [10114734-2030LF](#) [2123524-2](#) [2125046-1](#) [2821236-3](#) [2821310-2](#) [2821310-3](#)  
[2821313-4](#) [KFOLPC-1.25MM](#) [KFOLPC-1.25SM](#) [FOSPR40-L](#) [17-300310-100](#) [G-FC-FC-S-002.0-DX-A-18-Y](#) [G-E2A-E2A-S-003.0-SX-A-18-Y](#) [NKO2S-XP-0-31](#) [100CQQF3020](#) [956-322-502214](#) [DK-2511-05](#) [DK-2512-02](#) [DK-2522-01](#) [DK-2532-10-4](#) [DK-2922-01](#) [DK-2922-02](#)  
[DK-2932-01](#) [DK-2933-02](#) [DK-2522-03](#) [DK-2531-02](#) [DK-2533-01](#) [DK-2533-01/3](#) [DK-2533-02/3](#) [DK-2911-01](#) [DK-2911-03](#) [DK-2912-10](#)  
[DK-2922-03](#) [DK-2932-02](#) [DK-2932-05](#) [DK-2933-05](#) [DK-2933-10](#) [29011102](#) [29011202](#) [29011302](#) [29011402](#) [29011902](#) [29021102](#)  
[29021202](#) [29021302](#) [29021402](#)