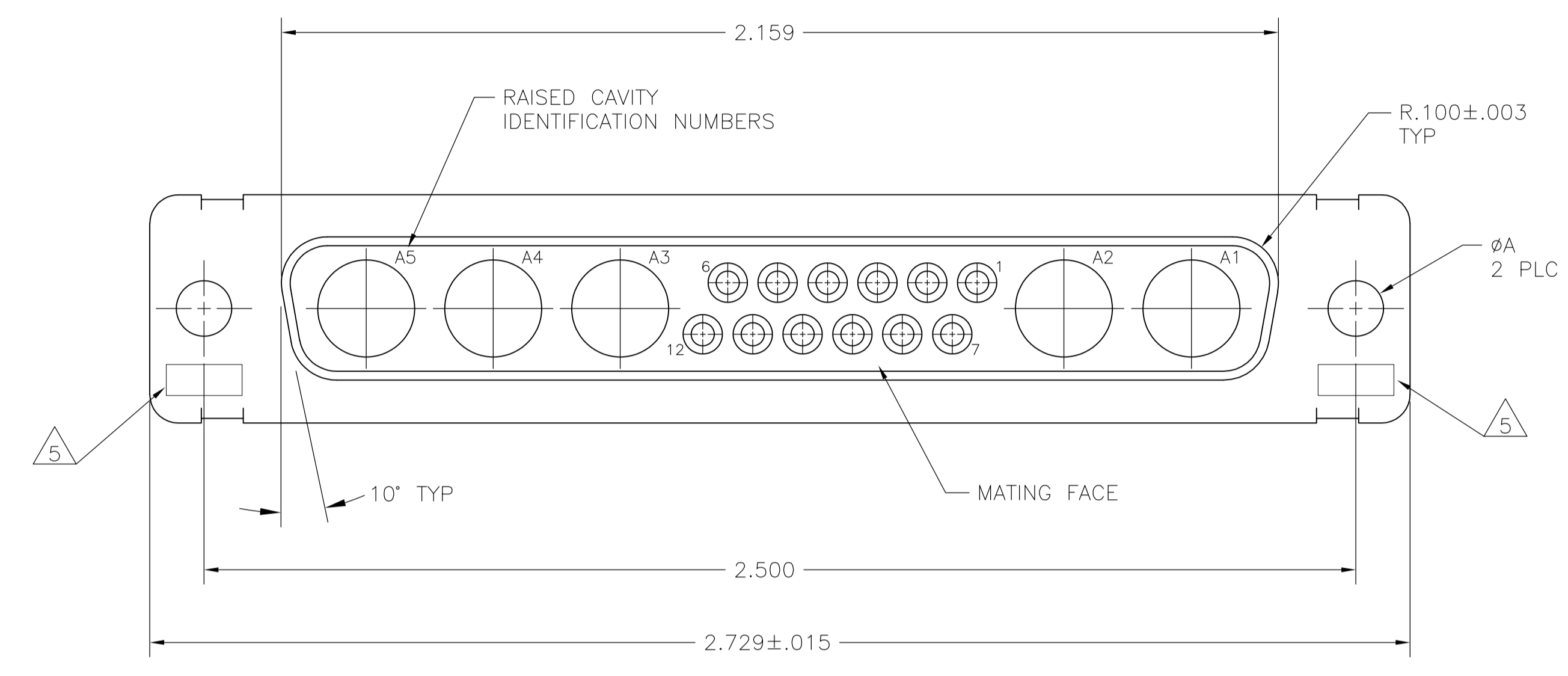
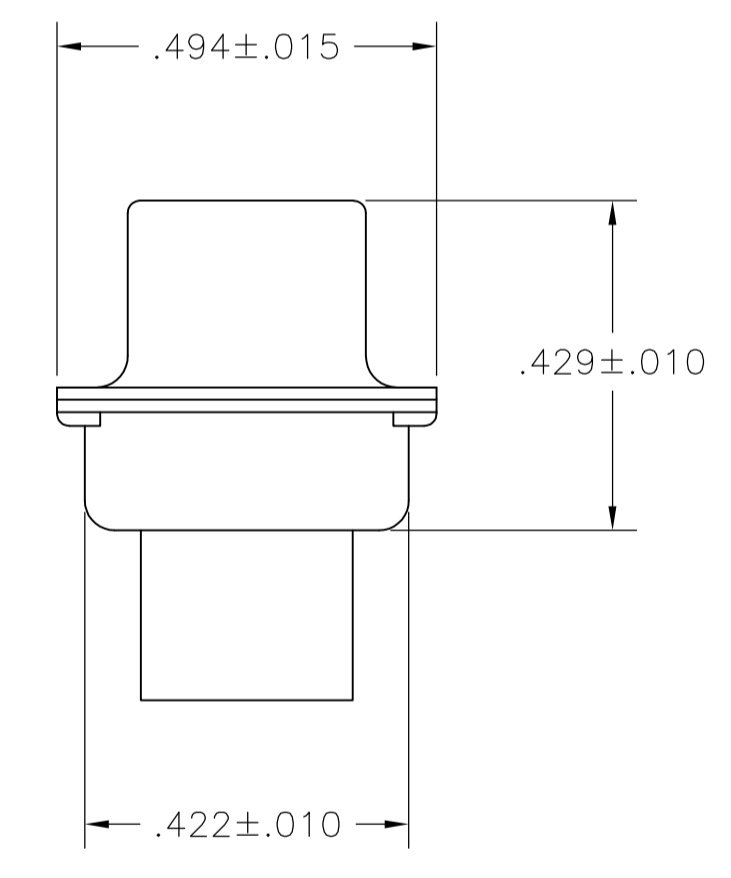
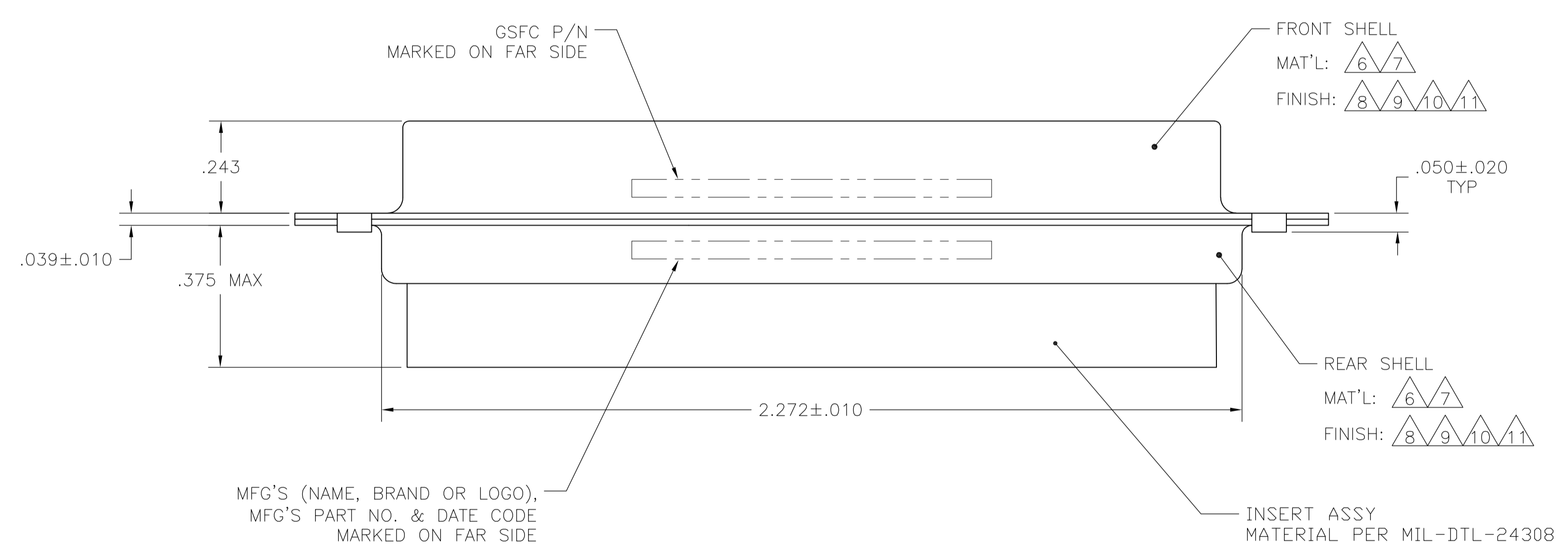


LOC		DIST		REVISIONS			
P	LTR	DESCRIPTION	DATE	DWN	APVD		
P		REV PER ECO-15-016251	13NOV15	KG	CD		



1. THIS RECEPTACLE WILL MATE WITH ANY 17C5, SIZE 4 PLUG IN AMPLIMITE SERIES.
  2. MAXIMUM WIRE INSULATION TO BE USED WITH THIS RECEPTACLE IS Ø.068.
  3. THIS CONNECTOR ACCEPTS (5) POWER 8, OR COAX SOCKET CONTACTS IN POSITIONS A1 THRU A5, PURCHASED SEPARATELY.
  4. THIS CONNECTOR ACCEPTS SIZE 20 SOCKET SIGNAL CONTACTS IN POSITIONS 1 THRU 12, PURCHASED SEPARATELY.
- 5 UL/CSA DESIGNATION STAMPED IN THIS AREA, OPTIONAL.
  - 6 STEEL PER ASTM-A-109.
  - 7 BRASS PER MIL-C-50 AND ASTM-B-36 UNS NO. C26000.
  - 8 FINISH: CADMIUM PLATED PER QQ-P-416.
  - 9 GOLD PLATED PER MIL-G-45204 TYPE II, GRADE C, CLASS 1 OVER COPPER PER MIL-C-14550, CLASS IV.
  - 10 FINISH: TIN PER ASTM-B-545 .000400 MIN THK OVER COPPER PER AMS2418 .000050 MIN THK.
  - 11 FINISH: ZINC PLATE PER ASTM-B-633 .000200-.000400 THK WITH SUPPLEMENTARY CHROMATE (Cr3+).



REMARKS	ØA	GSFC P/N	PART NO
6, 10	.120	-	5-212518-5
6, 11	.120	-	5-212518-1
6, 10	.120	-	212518-5
7, 9	.154	311P405-17S-B-15	212518-4
7, 9	.120	311P405-17S-B-12	212518-3
6, 8	.120	-	212518-1

THIS DRAWING IS A CONTROLLED DOCUMENT.

DIMENSIONS: INCHES	TOLERANCES UNLESS OTHERWISE SPECIFIED:	DIN C.C.THOMAS 25JAN88	APVD A.EMADI 26JAN88	NAME
0 PLC ± -	1 PLC ± -	2 PLC ± -	3 PLC ± .005(0.13)	4 PLC ± ± 0°.30'
MATERIAL	FINISH	WEIGHT	SIZE	CAGE CODE
-	-	-	A1	00779

STE TE Connectivity  
 RECEPTACLE ASSEMBLY  
 AMPLIMITE 17C5  
 SIZE 4, SERIES 109, COAX MIX

CUSTOMER DRAWING SCALE 4:1 SHEET 1 OF 1 REV P

## X-ON Electronics

Largest Supplier of Electrical and Electronic Components

*Click to view similar products for [D-Sub Mixed Contact Connectors](#) category:*

*Click to view products by [TE Connectivity](#) manufacturer:*

Other Similar products are found below :

[173114-0234](#) [790-025SF-5P5NMN](#) [790-025SJ-7P7NML](#) [DBM9W4SN](#) [9030M2MAT99X90X](#) [L717TWB5W5P3R](#) [L717TWB5W5PA514](#)  
[L717TWB5W5PRM84](#) [L717TWP3W3P](#) [3003W3PXX56N40X](#) [3005W5PXX99A30X](#) [3005W5PXX99E40X](#) [3005W5SXX99A30X](#)  
[3007W2SCT56N40X](#) [3013W3SCM99A10X](#) [3017W2SCT56N40X](#) [3036W4PCM41A10X](#) [3036W4SCM99A10X](#) [FCE17-E2W2SS-2N0](#)  
[212522-7](#) [3003W3PXX43A10X](#) [3003W3SXX56N40X](#) [3005W5PXX49E40X](#) [3005W5PXX88N40X](#) [3007W2PAR71E20X](#)  
[3008W8SXX57A30X](#) [3009W4PCT57P20X](#) [3011W1SXX99A10X](#) [3013W6SXX99A10X](#) [3017W2PAR69E20X](#) [3017W2SAR69C40X](#)  
[3024W7SCM99A10X](#) [302W2CPXX56N40X](#) [3043W2SAR71E40X](#) [321WA4PXX99A60X](#) [321WA4SCT56N40X](#) [3F3SSC22S41A30X](#)  
[5604805](#) [L717TWA7W2PP2SY3R](#) [DBM9W4PN](#) [421WA4PCR50E20X](#) [09691009009](#) [09691100022500](#) [09693009176](#) [09692009147](#)  
[09693909015](#) [6017W2PCM41B30X](#) [790-044SE-7P3MNPB](#) [790-043PE-11P2MPA](#) [790-043PB-2P2MPB](#)