

DRAWING MADE IN THIRD ANGLE PROJECTION

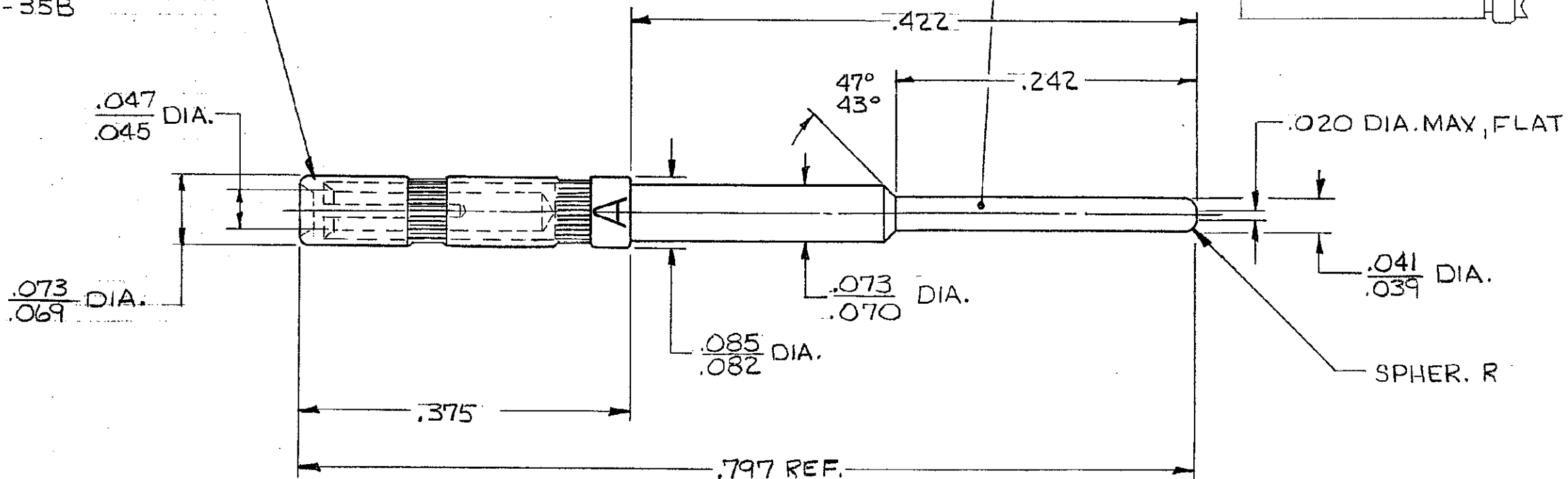
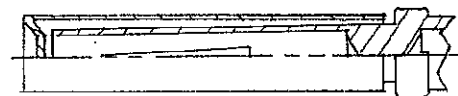
THIS DRAWING IS UNPUBLISHED. RELEASED FOR PUBLICATION, 19
 © COPYRIGHT 19 BY AMP INCORPORATED, HARRISBURG, PA. ALL INTERNATIONAL RIGHTS RESERVED. AMP PRODUCTS MAY BE COVERED BY U.S. AND FOREIGN PATENTS AND/OR PATENTS PENDING.

		REVISIONS				
P	F	ZONE	LTR	DESCRIPTION	DATE	APPROVED
✓	✓		O	RELEASED	3/24/84	RG <i>[Signature]</i>
✓	✓		A	ADDED -Z PER ECN R-647	4/19/84	RG <i>[Signature]</i>
✓	✓		B	REV PER DF-5815	10/5/82	DKP <i>[Signature]</i>
			C	REV PER 0600-7585-98	10-22-83	TT <i>[Signature]</i>

BODY
 MATERIAL: BERYLLIUM COPPER
 PER QQ-C-530
 FINISH: PLATED GOLD .000050
 MIN. THK. PER MIL-G-45204 OVER
 NICKEL .000050 MIN. THK
 PER QQ-N-290

HOOD
 MATERIAL: STAINLESS
 STEEL PER QQ-S-766
 FINISH: PASSIVATED
 QQ-P-35B

ALTERNATE CONFIGURATION



NOTES: FOR DASH 2 ONLY

- 1. MATERIAL: BERYLLIUM COPPER PER QQ-C-530
 FINISH: PLATED GOLD .000050 MIN. THK. PER MIL-G-45204
 OVER COPPER .000100 MIN. THK. PER MIL-C-14550.
- 2. HOOD: COPPER ALLOY PER QQ-B-613
 FINISH: PLATED GOLD

AS SHOWN	212558-2
AS SHOWN	212558-1
DESCRIPTION	PART NO

UNLESS OTHERWISE SPECIFIED DIMENSIONS ARE IN INCHES. TOLERANCES ON: DECIMALS ±.005 ANGLES ±	CONTRACT NO	AMP INCORPORATED Harrisburg, Pa.	
	DR R. Grzybowski	NAME CONTACT, SIZE 20, AMPLIMITE, CONNECTOR SAVER	
MATERIAL SEE CALLOUT	APPR 3-30-84	SIZE B	FSCM NO 00779
FINISH SEE CALLOUT	APPR 4/2/84	DRAWING NO 212558	SCALE N.T.S.
	DSGN APPD	SHEET 1 of 1	
	OTHER APPD		

X-ON Electronics

Largest Supplier of Electrical and Electronic Components

Click to view similar products for [D-Sub Contacts](#) category:

Click to view products by [TE Connectivity](#) manufacturer:

Other Similar products are found below :

[D02-22-26S-10000](#) [8656352067LF](#) [131A15029X](#) [132A11019X](#) [132J22039X](#) [132A11029X](#) [132A11049X](#) [132A12059X](#) [1757912-1](#) [188582-000](#) [162A11889X](#) [1757913-1](#) [212558-1](#) [030-1955-000](#) [053744-0098](#) [053744-0099](#) [053745-0105](#) [053745-0111](#) [601098N003](#) [D-610-10CS2962](#) [86303057NLF](#) [131A11019X](#) [162A11819X](#) [40-9854MP](#) [1-208778-5](#) [FC120N2](#) [MC7526D/AA](#) [MC8122D/AA](#) [FC4010D-15](#) [FC4006D](#) [121A05329A](#) [164C16669X](#) [86566620064LF](#) [131A13019X](#) [DLS3XS5AK40X](#) [09692825723](#) [030-1954-000](#) [L17DM53744207](#) [L17RRD1M11400](#) [030-1952-000](#) [1655496](#) [030-1953-000](#) [030-1953-030](#) [132C11039X](#) [132J15019X](#) [132C15019X](#) [132A10039X](#) [131A10029X](#) [8638PSC2006LF](#) [8656453067LF](#)