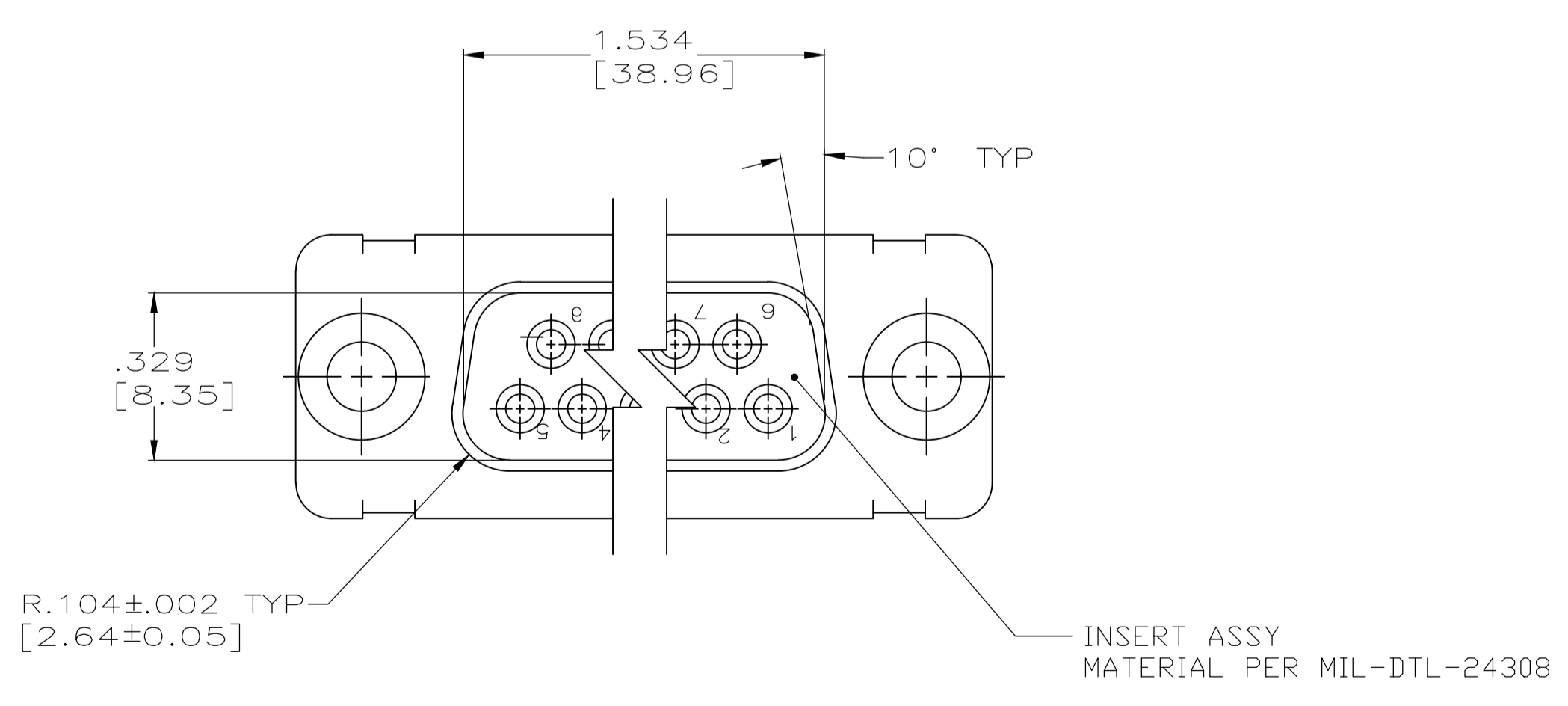
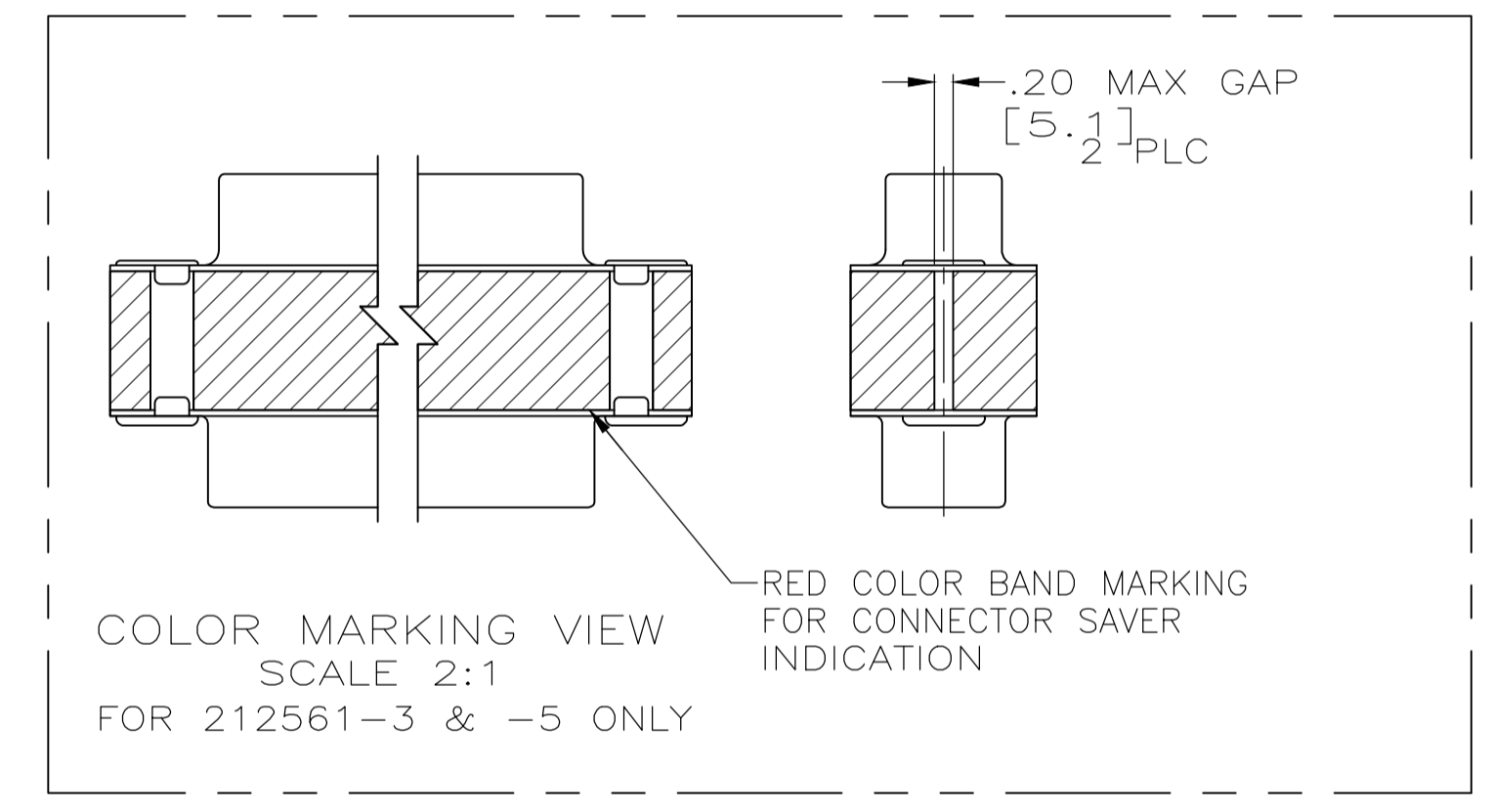
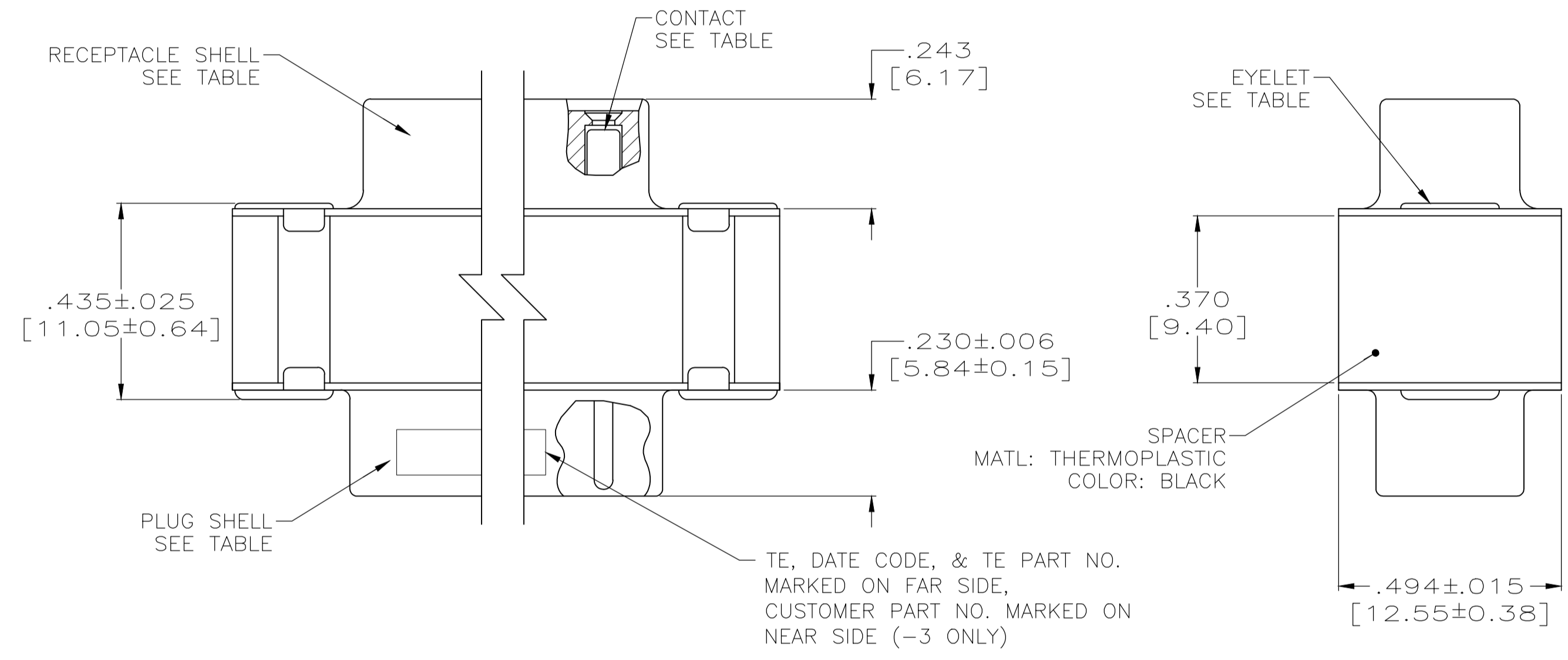
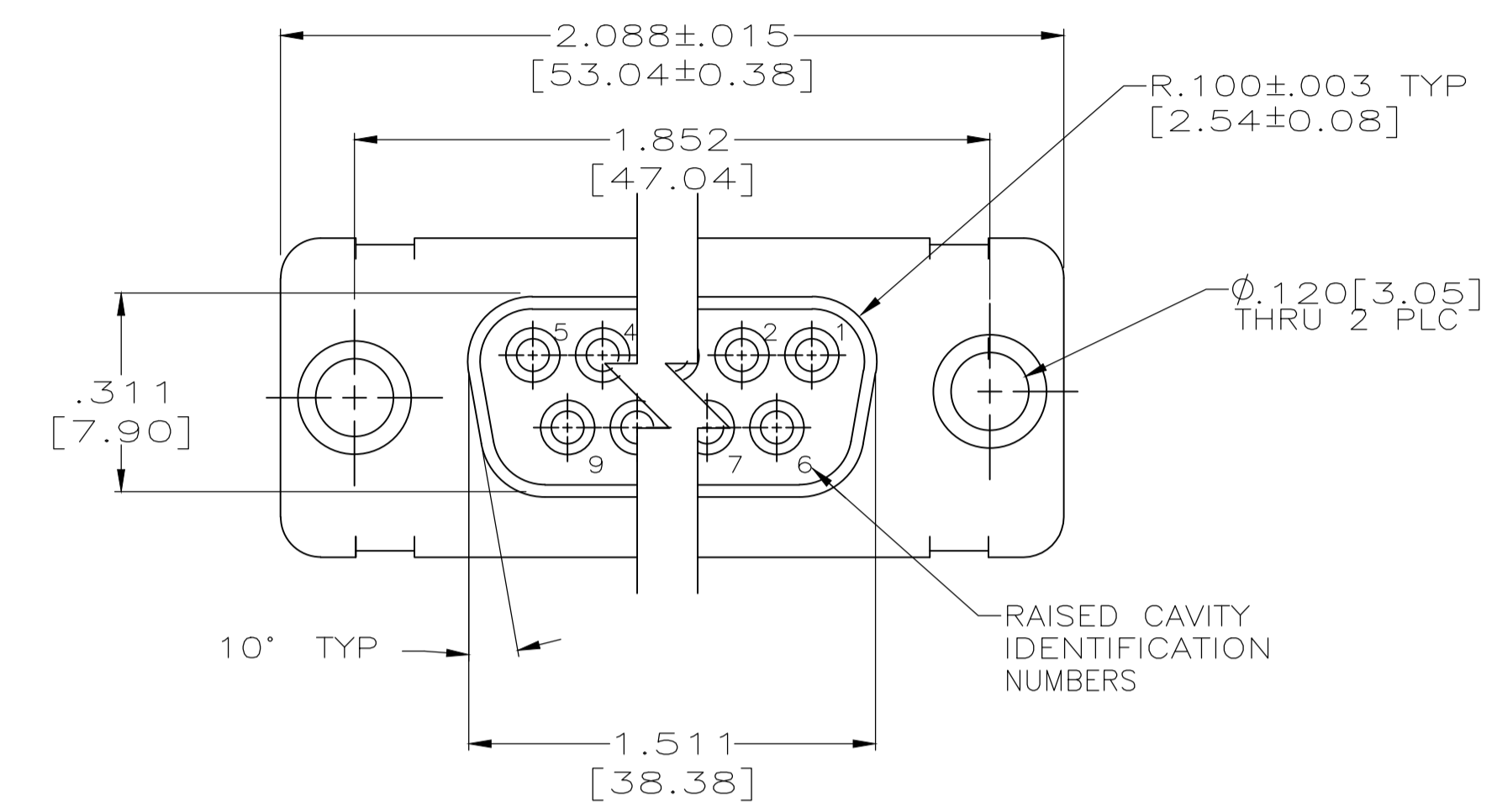


REVISIONS					
P	LTR	DESCRIPTION	DATE	DMN	APVD
T		REV PER ECO 19-019228	4-17-20	CT	DM



- CONTACTS INCLUDED IN ASSEMBLY.
- MATL: STEEL, PER ASTM-A-109.
- FINISH: CADIUM PER QQ-P-416.
- CONTACT
- BODY MATL: BERYLLIUM COPPER PER ASTM-B-197.
- BODY FINISH: PLATED GOLD, .000050 MIN THK PER MIL-G-45204 OVER NICKEL, .000050 MIN THK PER QQ-N-290.
- HOOD MATL: STAINLESS STEEL PER ASTM-A-167.
- HOOD FINISH: PASSIVATED PER ASTM-A-380
- FINISH: PLATED ZINC .00020 MIN THK PER ASTM-B-633. YELLOW CHROMATE FINISH.
- MATL: BRASS PER ASTM-B-36.
- FINISH: PLATED GOLD, .000050 MIN THK PER MIL-G-45204 OVER COPPER, .000100 MIN THK PER MIL-C-14550.
- CONTACT
- BODY MATL: BERYLLIUM COPPER PER ASTM-B-197.
- BODY AND HOOD FINISH: PLATED GOLD, .000050 MIN THK PER MIL-G-45204 OVER COPPER, .000100 MIN THK PER MIL-C-14550.
- HOOD MATL: BRASS PER ASTM-B-36
- FINISH: PLATED ZINC PER ASTM-B-633 .000200 MIN THK WITH SUPPLEMENTARY CHROMATE (Cr3+).

			-	5-212561-1
			PT2-111-9	212561-6
			4U884 SOCN R10002677-0103	212561-5
OBSOLETE			-	212561-4
			(1J02-103)	212561-3
			-	212561-2
			-	212561-1
EYELET	SHELLS	CONTACT	CUSTOMER P/N	PART NO.

THIS DRAWING IS A CONTROLLED DOCUMENT.

TE THOMPSON 11-07-94

TE Connectivity

CONNECTOR SAVER, AMPLIMITE 25 POSITION, SIZE 3, SERIES 109

WEIGHT 0.000000

SCALE 4:1 SHEET 1 OF 1 REV T

## X-ON Electronics

Largest Supplier of Electrical and Electronic Components

*Click to view similar products for [D-Sub Tools & Hardware](#) category:*

*Click to view products by [TE Connectivity](#) manufacturer:*

Other Similar products are found below :

[000-01-09-132](#) [000-01-21-132](#) [000-01-31-162](#) [572019-00105-70](#) [000-01-37-162](#) [621-250-113-115](#) [D110550-2](#) [D20418-137](#) [780-518-50SG6-WS](#) [86552009](#) [86553115TLF](#) [86553117TLF](#) [1230032-1](#) [1-5021101-2](#) [15-000050](#) [1589283-4](#) [160-000-005R031](#) [16-000230](#) [160-025-004R031](#) [160-000-137R000](#) [160-020-209R000](#) [160X10909X](#) [164C03939A](#) [177-505-A-2-2](#) [1-966830-8](#) [21018-6](#) [21028-2](#) [2-1393560-9](#) [JS-1000](#) [L17D204182M3E](#) [L17D53018](#) [300X10779X](#) [160X10189X](#) [160X10419X](#) [162-000-050R000](#) [21018-5](#) [212561-3](#) [248C21550X](#) [CF15P](#) [QLOCKPOST-2](#) [D110277](#) [500-008NF1K-01](#) [500-008NF3R3KS-01](#) [500-017M09FN](#) [500-017M15MHN](#) [500-024M1](#) [500-068M3](#) [5-1393561-5](#) [C115373-0001](#) [C115373-0002](#)