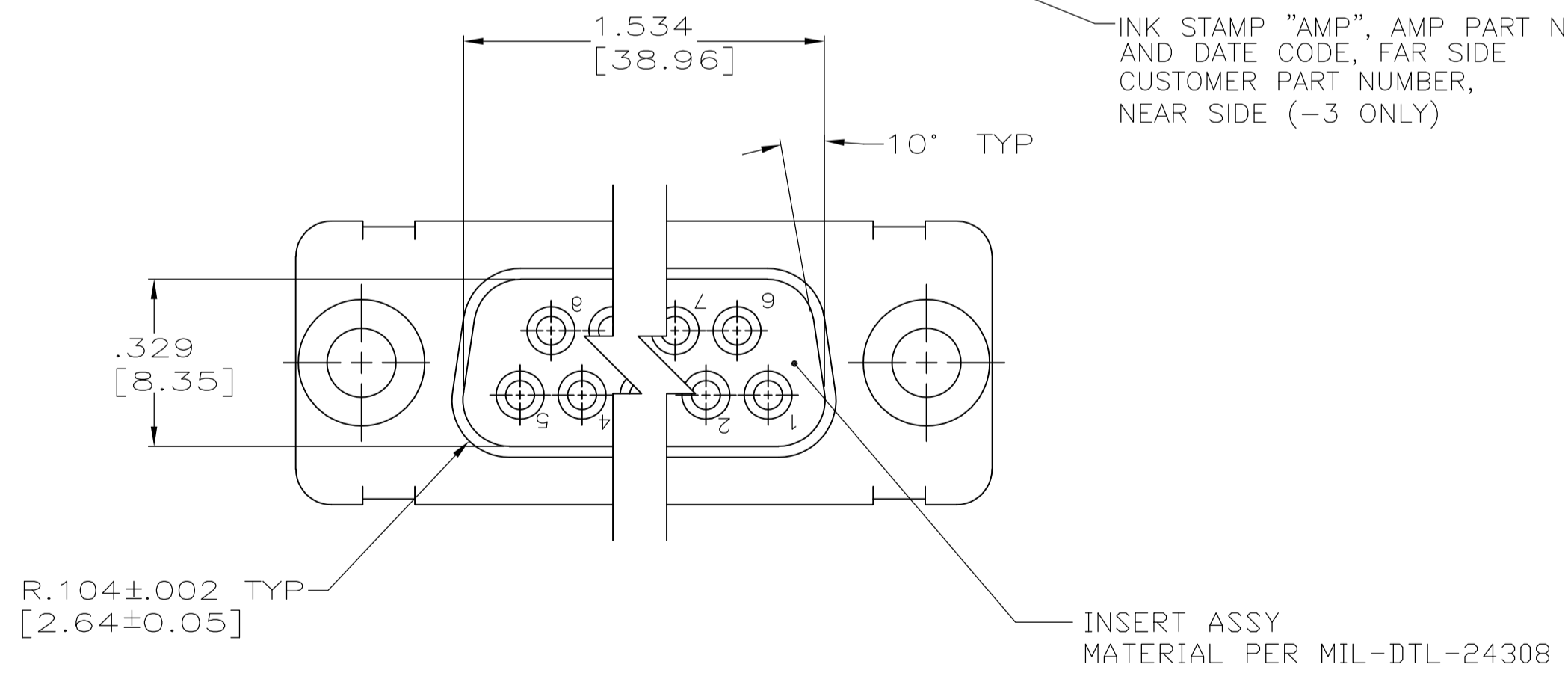
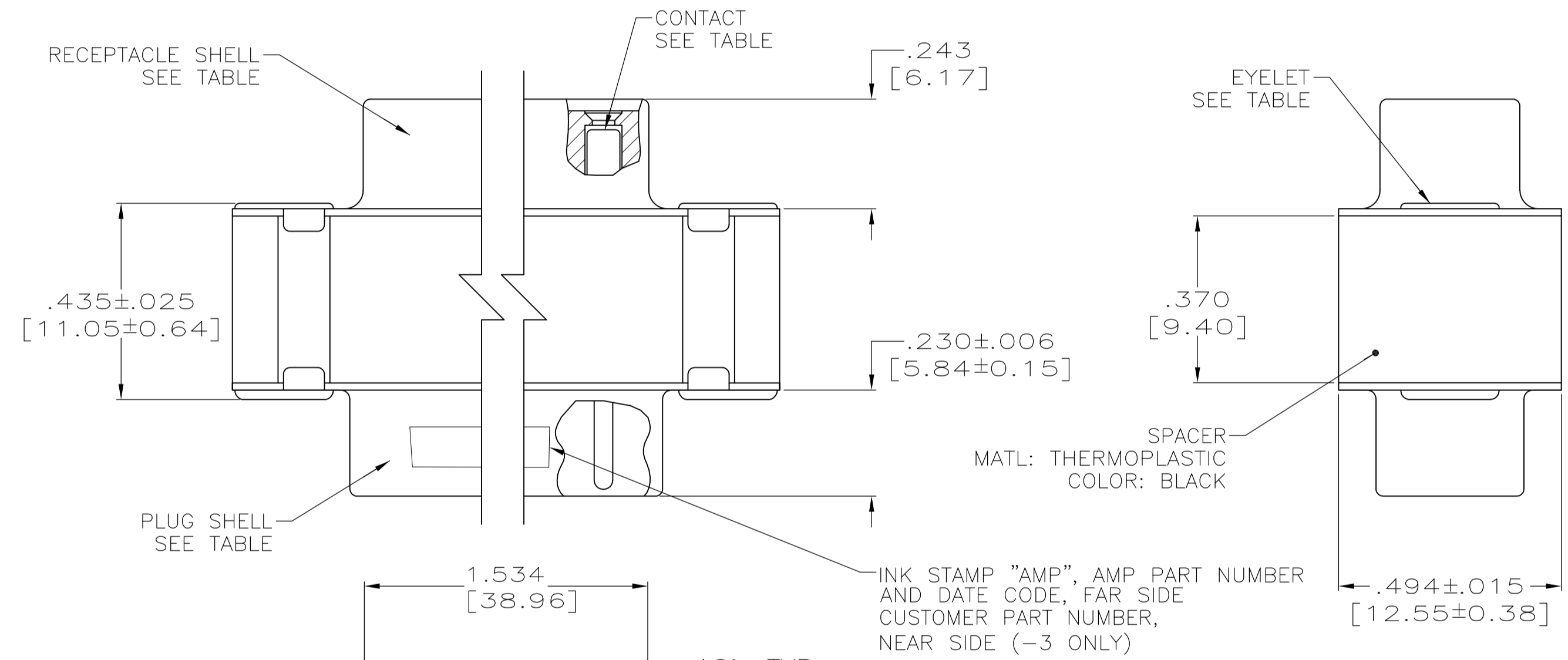
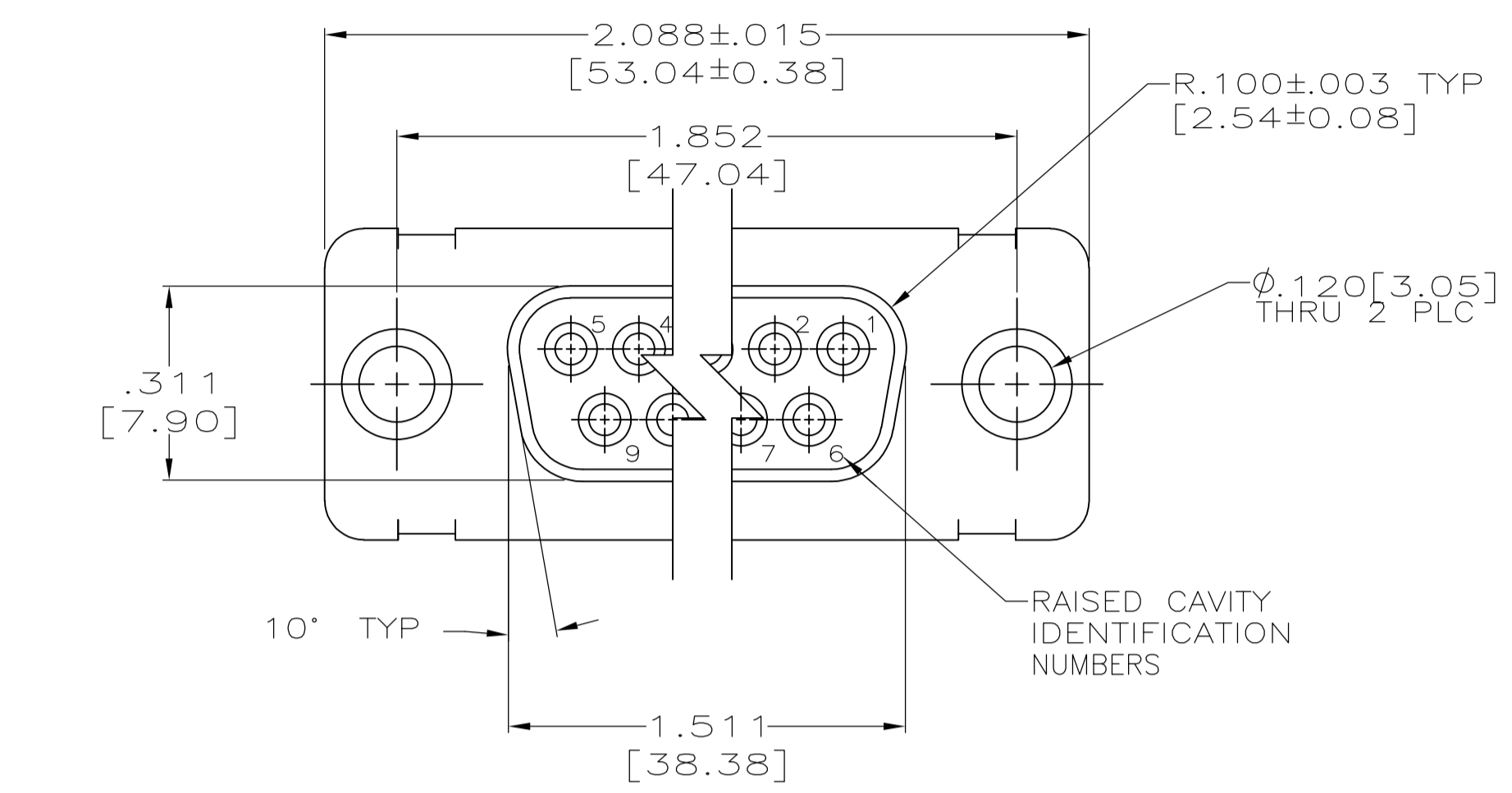
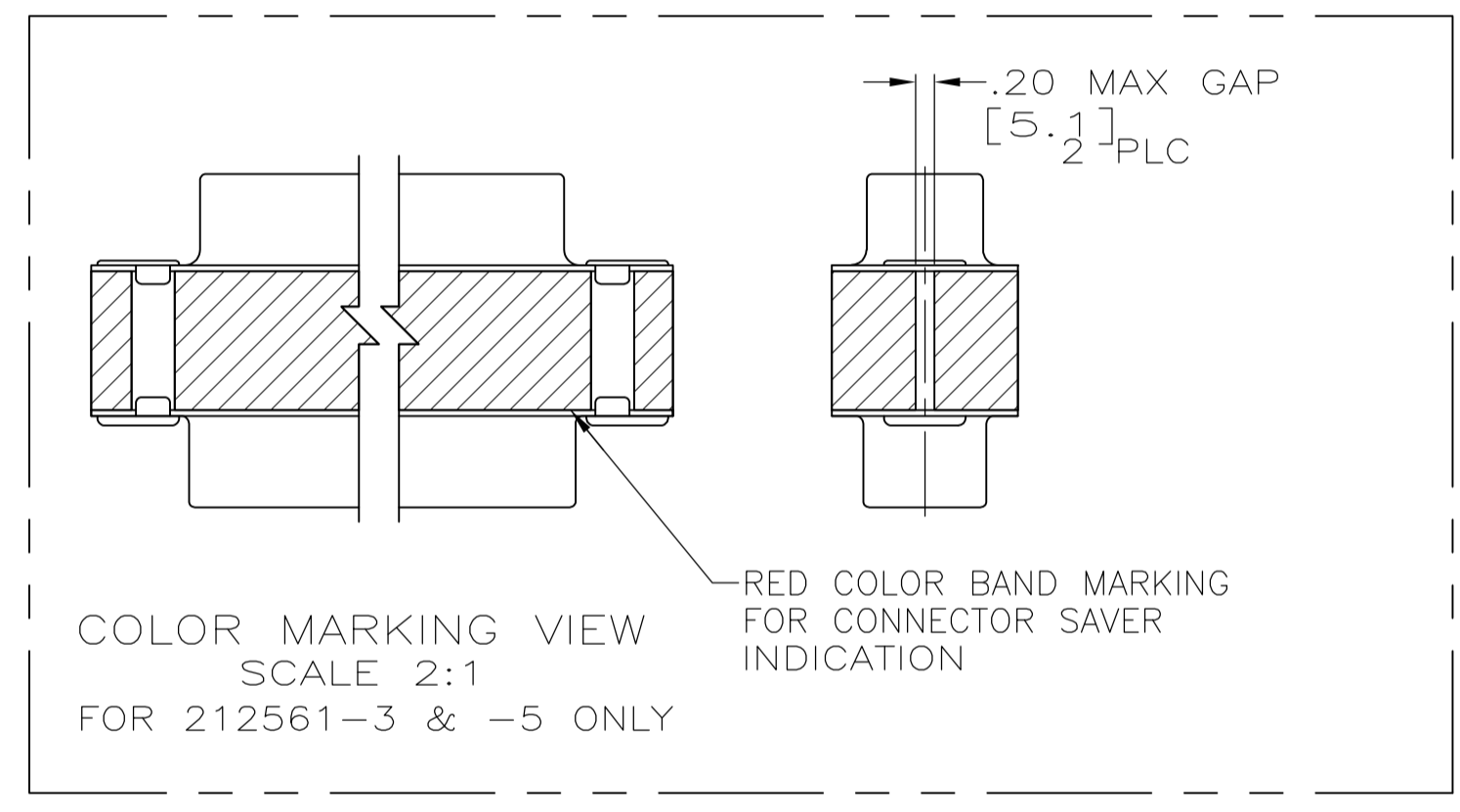


REVISIONS					
P	LTR	DESCRIPTION	DATE	DMN	APVD
S		REV PER ECO 17-000132	5-5-17	CT	DM



- CONTACTS INCLUDED IN ASSEMBLY.
 - △ MATL: STEEL, PER ASTM-A-109.
 - △ FINISH: CADIUM PER QQ-P-416.
 - △ CONTACT
 - BODY MATL: BERYLLIUM COPPER PER ASTM-B-197.
 - BODY FINISH: PLATED GOLD, .000050 MIN THK PER MIL-G-45204 OVER NICKEL, .000050 MIN THK PER QQ-N-290.
 - HOOD MATL: STAINLESS STEEL PER ASTM-A-167.
 - HOOD FINISH: PASSIVATED PER ASTM-A-380.
 - △ FINISH: PLATED ZINC .00020 MIN THK PER ASTM-B-633. YELLOW CHROMATE FINISH.
 - △ MATL: BRASS PER ASTM-B-36.
 - △ FINISH: PLATED GOLD, .000050 MIN THK PER MIL-G-45204 OVER COPPER, .000100 MIN THK PER MIL-C-14550.
 - △ CONTACT
 - BODY MATL: BERYLLIUM COPPER PER ASTM-B-197.
 - BODY AND HOOD FINISH: PLATED GOLD, .000050 MIN THK PER MIL-G-45204 OVER COPPER, .000100 MIN THK PER MIL-C-14550.
 - HOOD MATL: BRASS PER ASTM-B-36.
 - △ FINISH: PLATED ZINC PER ASTM-B-633 .000200 MIN THK WITH SUPPLEMENTARY CHROMATE (Cr3+).



△ △	△ △	△	-	5-212561-1
△ △	△ △	△	PT2-111-9	212561-6
△ △	△ △	△	4U884 SOCN R10002677-0103	212561-5
△ △	△ △	△	-	212561-4
△ △	△ △	△	(1J02-103)	212561-3
△ △	△ △	△	-	212561-2
△ △	△ △	△	-	212561-1
EYELET	SHELLS	CONTACT	CUSTOMER P/N	PART NO.

THIS DRAWING IS A CONTROLLED DOCUMENT. DIN T. THOMPSON 11-07-94

CHK D. MANTIONE NAME

APVD D. MANTIONE PRODUCT SPEC

APPLICATION SPEC

WEIGHT 0.000000 A1 00779 C=212561

CUSTOMER DRAWING SCALE 4:1 SHEET 1 OF 1 REV S

STE TE Connectivity

CONNECTOR SAVER, AMPLIMITE 25 POSITION, SIZE 3, SERIES 109

X-ON Electronics

Largest Supplier of Electrical and Electronic Components

Click to view similar products for [D-Sub Tools & Hardware](#) category:

Click to view products by [TE Connectivity](#) manufacturer:

Other Similar products are found below :

[173112-0667](#) [173112-0759](#) [173112-0967](#) [173112-0291](#) [173112-0456](#) [000-01-09-132](#) [000-01-21-132](#) [000-01-31-162](#) [572019-00105-70](#)
[000-01-37-162](#) [621-250-113-115](#) [D20418-2R](#) [D20418-J3F](#) [70521CLF](#) [70524BLF](#) [70527BLF](#) [70527CLF](#) [F1042-1PLAH](#) [750643-1](#) [780-010-06G4-00C](#) [780-518-50SG6-WS](#) [863004ATLF](#) [86552009](#) [86553115TLF](#) [86553117TLF](#) [86553156LF](#) [FSGK1/5](#) [980-8554-000](#) [980-8555-000](#)
[980-8557-000](#) [980-8558-000](#) [1230032-1](#) [1-5021101-2](#) [15-000050](#) [1589283-4](#) [160-000-005R031](#) [16-000230](#) [160-020-109R000](#) [160-025-004R031](#) [160-015-003R031](#) [160-020-209R000](#) [160X10909X](#) [164C03939A](#) [177-505-A-2-2](#) [177-505-C-4-4](#) [179-013-1H](#) [1-966830-8](#) [21018-621028-3](#) [213622-5](#)