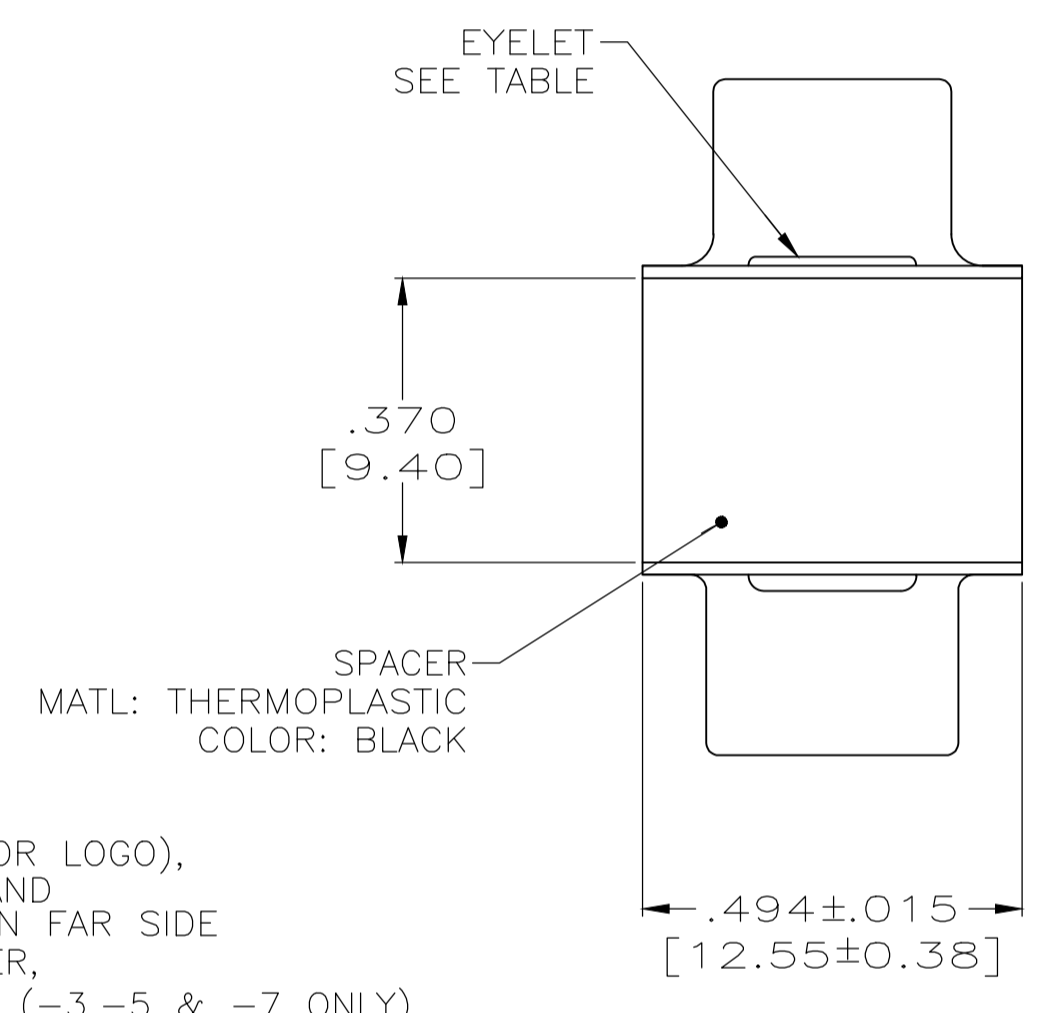
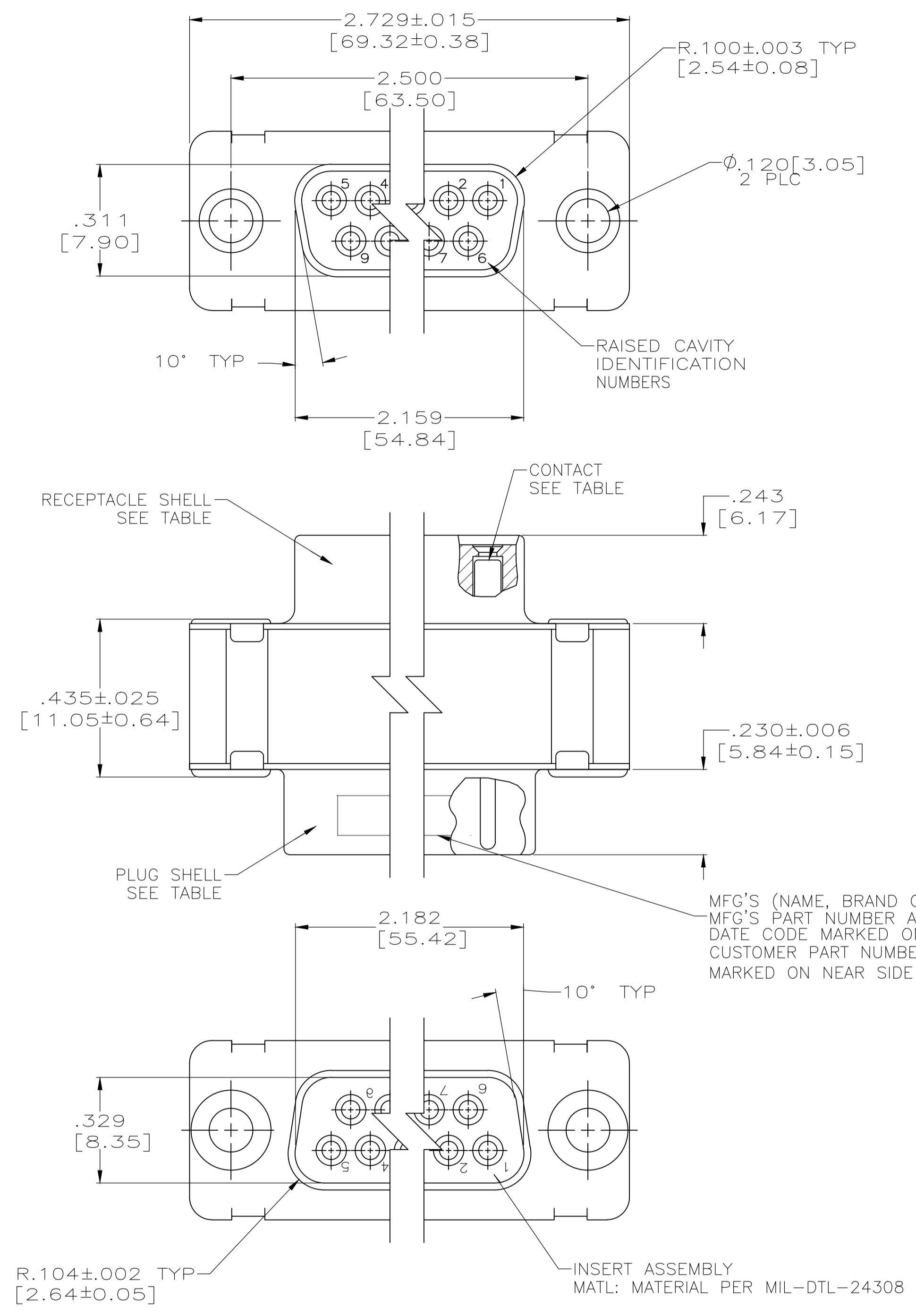
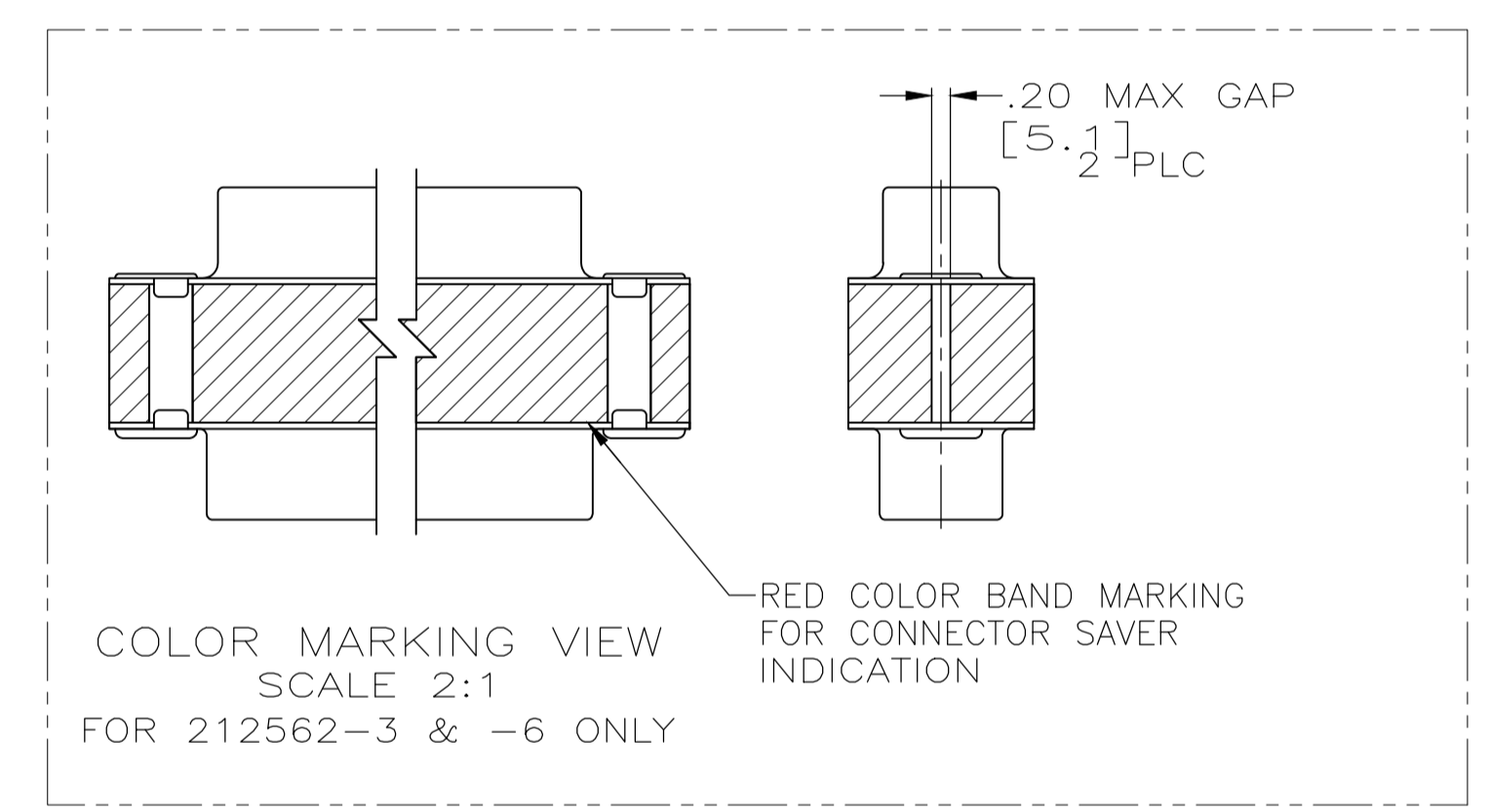


REVISIONS					
P	LTR	DESCRIPTION	DATE	DMN	APVD
U		REV PER ECO 18-019896	2-14-19	CT	DM



- 1. CONTACTS INCLUDED IN ASSEMBLY EXCEPT FOR 212562-7.
- △ MATL: STEEL, PER ASTM-A-109.
- △ FINISH: CADMIUM PER QQ-P-416.
- △ CONTACT
- BODY MATL: BERYLLIUM COPPER PER ASTM-B-197.
- BODY FINISH: PLATED GOLD, .000050 MIN THK PER MIL-G-45204 OVER NICKEL, .000050 MIN THK PER QQ-N-290.
- HOOD MATL: STAINLESS STEEL PER ASTM-A-167.
- HOOD FINISH: PASSIVATED PER ASTM-A-380.
- △ FINISH: PLATED ZINC .00020 MIN THK PER ASTM-B-633. YELLOW CHROMATE FINISH.
- △ MATL: BRASS PER ASTM-B-36.
- △ FINISH: PLATED GOLD, .000050 MIN THK PER MIL-G-45204 OVER COPPER, .000100 MIN THK PER MIL-C-14550.
- △ CONTACT
- BODY MATL: BERYLLIUM COPPER PER ASTM-B-197.
- BODY AND HOOD FINISH: PLATED GOLD, .000050 MIN THK PER MIL-G-45204 OVER COPPER, .000100 MIN THK PER MIL-C-14550.
- HOOD MATL: BRASS PER ASTM-B-36



△ △	△ △	---	PT2-111-4	212562-7
△ △	△ △	△	4U884 SOCN R10002677-0104	212562-6
△ △	△ △	△	PT2-111-10	212562-5
△ △	△ △	△	-	212562-4
△ △	△ △	△	(1J02-104)	212562-3
△ △	△ △	△	-	212562-2
△ △	△ △	△	-	212562-1
EYELET	SHELLS	CONTACT	CUSTOMER P/N	PART NO.

OBSOLETE

THIS DRAWING IS A CONTROLLED DOCUMENT.		DIN 27-May-15 MANJUNATH G M		STE TE Connectivity	
DIMENSIONS: INCHES		TOLERANCES UNLESS OTHERWISE SPECIFIED:		APVD 27-May-15 CHARLES THOMAS	
0 PLC ± -		1 PLC ± -		NAME	
2 PLC ± -		3 PLC ± .005 (0.13)		CONNECTOR SAVER, AMPLIMITE	
4 PLC ± -		ANGLES ± -		37 POSITION, SIZE 4, SERIES 109	
MATERIAL		FINISH		APPLICATION SPEC	
				SIZE CAGE CODE DRAWING NO	
				WEIGHT 0 A1 00779 C=212562	
				CUSTOMER DRAWING SCALE 4:1 SHEET 1 OF 1 REV U	

## **X-ON Electronics**

Largest Supplier of Electrical and Electronic Components

*Click to view similar products for [D-Sub Tools & Hardware](#) category:*

*Click to view products by [TE Connectivity](#) manufacturer:*

Other Similar products are found below :

[173112-0667](#) [173112-0759](#) [173112-0967](#) [173112-0291](#) [173112-0456](#) [572019-00105-70](#) [621-250-113-115](#) [D20418-2R](#) [D20418-J3F](#)  
[70521CLF](#) [70524BLF](#) [70527BLF](#) [70527CLF](#) [F1042-1PLAH](#) [750643-1](#) [780-518-50SG6-WS](#) [863004ATLF](#) [86552009](#) [86553115TLF](#)  
[86553117TLF](#) [86553156LF](#) [FSGK1/5](#) [FVS1/5M2.5](#) [980-8554-000](#) [980-8555-000](#) [980-8557-000](#) [980-8558-000](#) [1230032-1](#) [1-5021101-2](#) [15-](#)  
[000050](#) [1589283-4](#) [160-000-005R031](#) [16-000230](#) [160-020-109R000](#) [160-020-215R000](#) [160-025-004R031](#) [160-000-137R000](#) [160-015-](#)  
[003R031](#) [160-020-209R000](#) [160X10909X](#) [164C03939A](#) [177-505-A-2-2](#) [179-013-1H](#) [1-966830-8](#) [21018-6](#) [213622-5](#) [213623-5](#) [JS-1000](#)  
[225-0018-000](#) [L17D204182M3E](#)