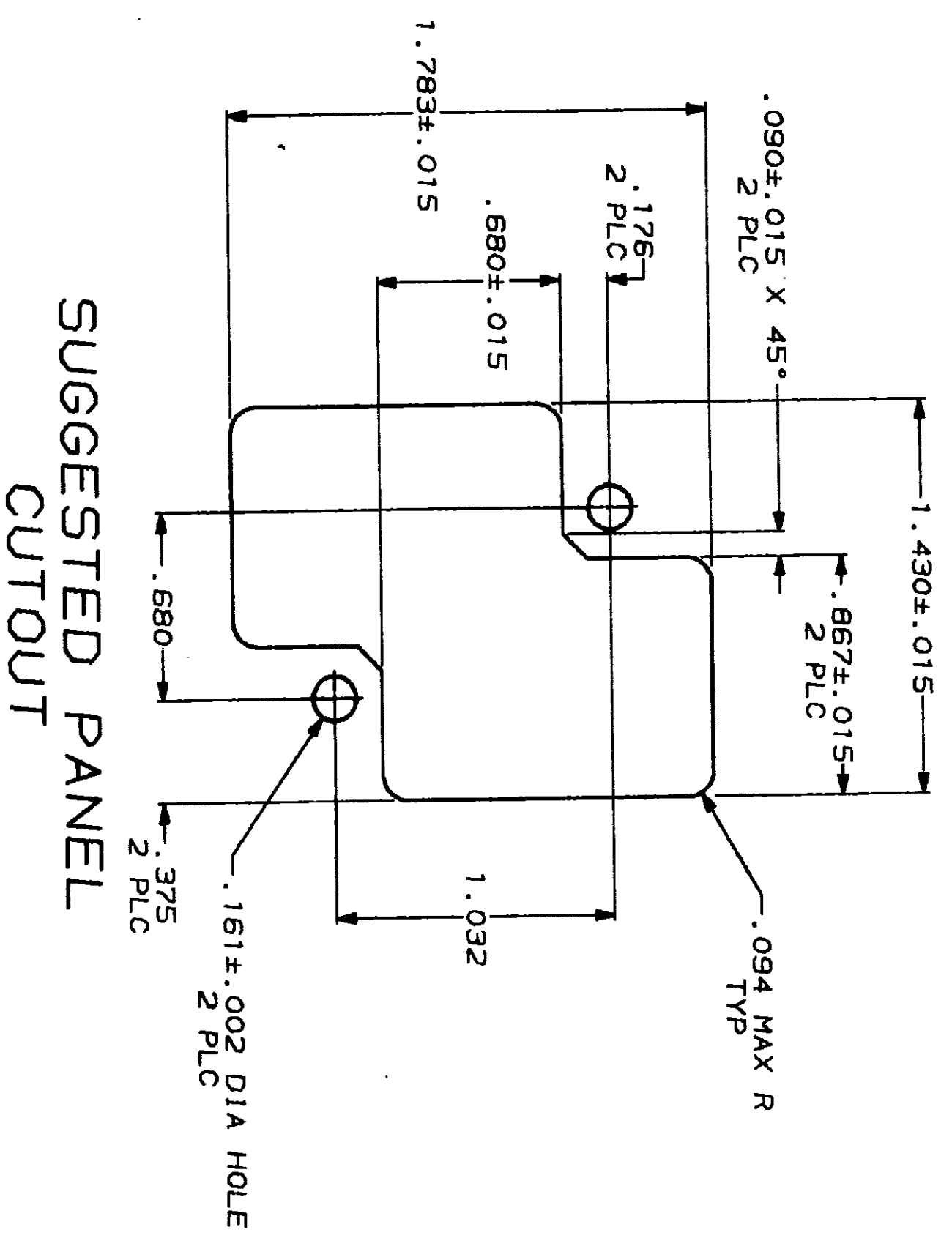
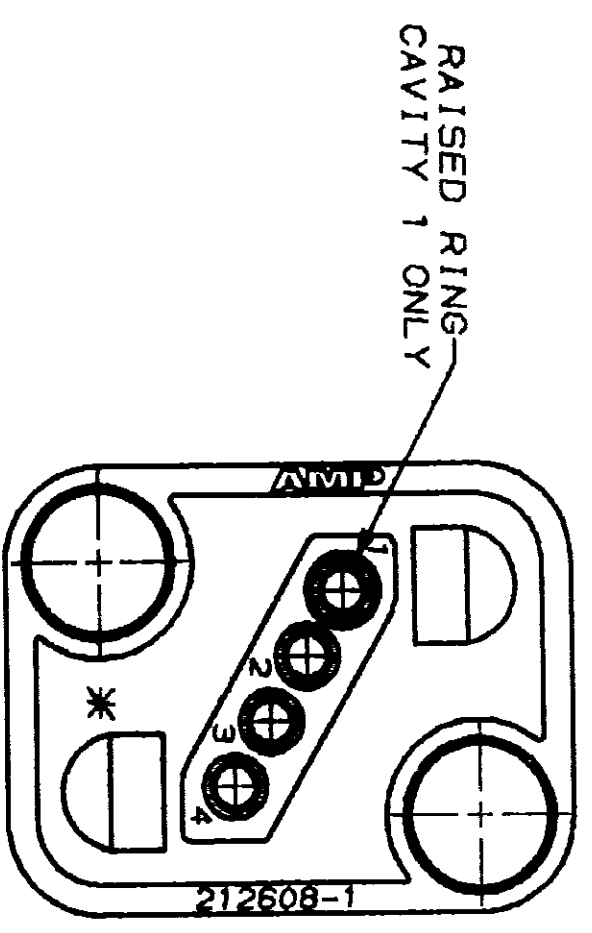
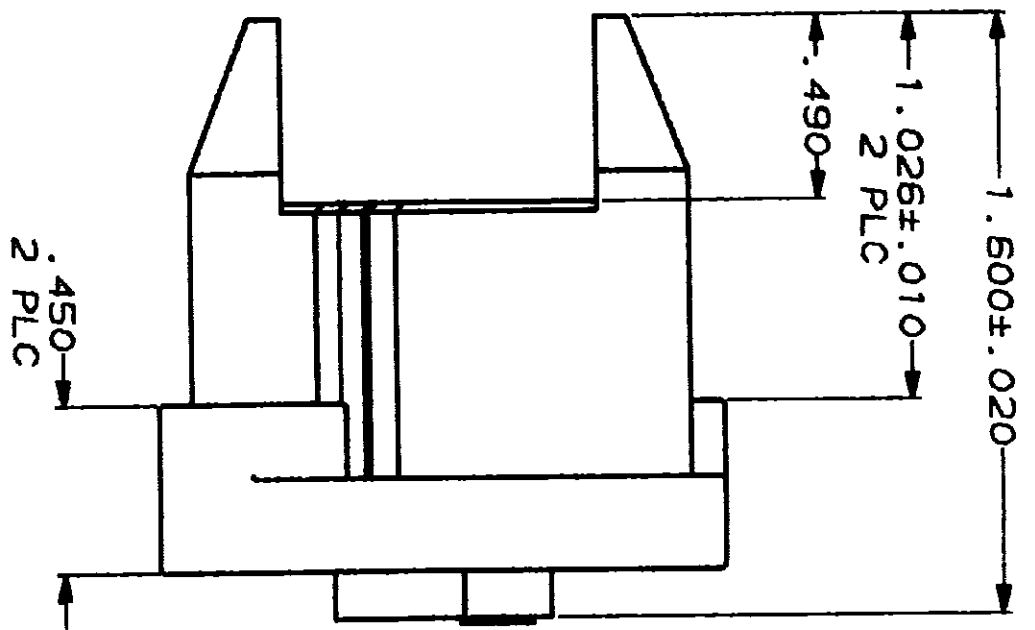
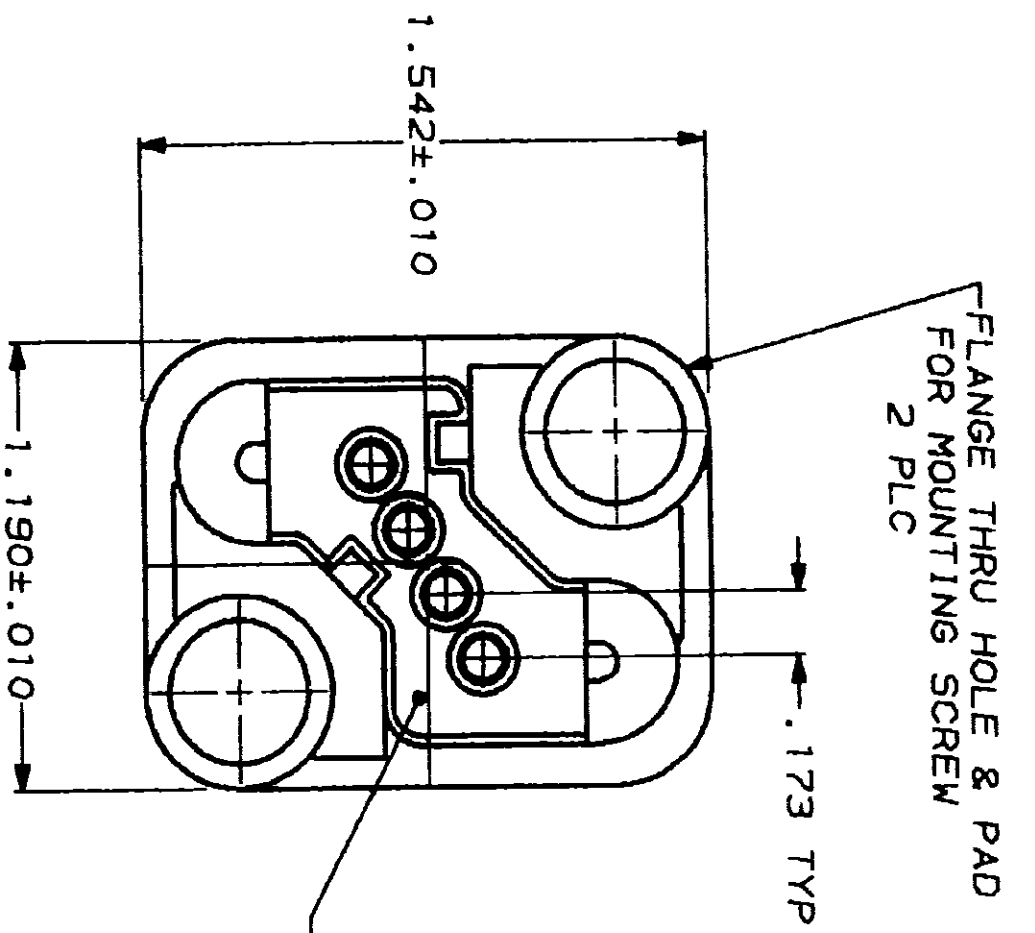


DRAWING MADE IN THIRD ANGLE PROJECTION  
 THIS DRAWING IS UNPUBLISHED. RELEASED FOR PUBLICATION  
 BY AMP INCORPORATED. ALL INTERNATIONAL RIGHTS RESERVED.  
 © COPYRIGHT 1981

REV	BY	DATE	DESCRIPTION
1	BD	39	REDRAWN AND REV ECN BD5024



1. THIS CONNECTOR MATES WITH PIN HOUSING NUMBER 212609.
2. FOR MOUNTING SCREW INFORMATION SEE DRAWING NUMBER 208211.

DO NOT SCALE PRINT. UNLESS SPECIFIED DIMENSIONS IN INCHES TOLERANCES ON: 1. DIMENSIONS IN INCHES 2. PLC DEC ± .005 3. PLC DEC ± .005 ANGLES MATERIAL THERMOPLASTIC BLACK FINISH		DR 05/07/91 R. SHINEY CHK - R. SHINEY 5-13-91 APPD A. TRAVIS 5/14/91 PRODUCT SPEC APPLICATION SPEC WEIGHT		NAME <b>AMP</b> AMP Incorporated Harrisburg, PA 17105-3608 PLUG HOUSING, DRAWER CONNECTOR, 4 POSITION, METRIMATE SIZE CAGE CODE DRAWING NO 00779 212608 SCALE 2:1 SHEET 1 OF 1	
---	--	---	--	--	--

## X-ON Electronics

Largest Supplier of Electrical and Electronic Components

*Click to view similar products for [Headers & Wire Housings](#) category:*

*Click to view products by [TE Connectivity](#) manufacturer:*

Other Similar products are found below :

[892-18-020-10-001101](#) [58102-G61-06LF](#) [582553-1](#) [0009485154](#) [009176003701906](#) [0050291907](#) [LY20-4P-DT1-P1E-BR](#) [02.125.8002.8](#)  
[609-3404](#) [61062-3](#) [61082-181009](#) [622-3653LF](#) [63453-116](#) [636-1030](#) [636-1427](#) [636-3427](#) [636-4007](#) [641938-9](#) [641991-4](#) [644827-2](#) [65817-010LF](#) [65817-015LF](#) [65863-015LF](#) [66207-023LF](#) [67095-007LF](#) [67601157](#) [68645-018](#) [68648-049](#) [70.362.1628.0](#) [70-4210](#) [70-4226B](#) [70-4853B](#) [707-5020](#) [707-5028](#) [71.350.2428.0](#) [71918-208LF](#) [71961-016LF](#) [733-134](#) [733-162](#) [754199-000](#) [760-3052](#) [787-8014-00](#) [79531-3000](#)  
[FCN-360C032-B](#) [FCN-367T-T012/H](#) [FCN-723D010/2](#) [80.063.4001.1](#) [800-90-001-10-001000](#) [800-90-010-10-002000](#) [801-43-002-10-013000](#)