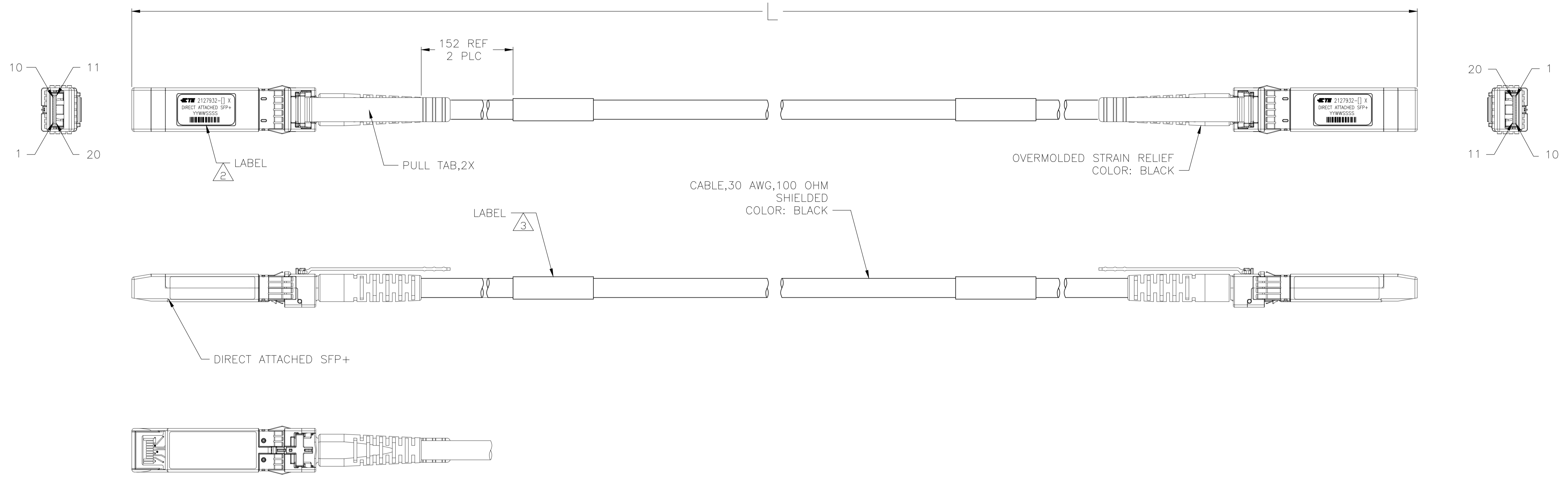
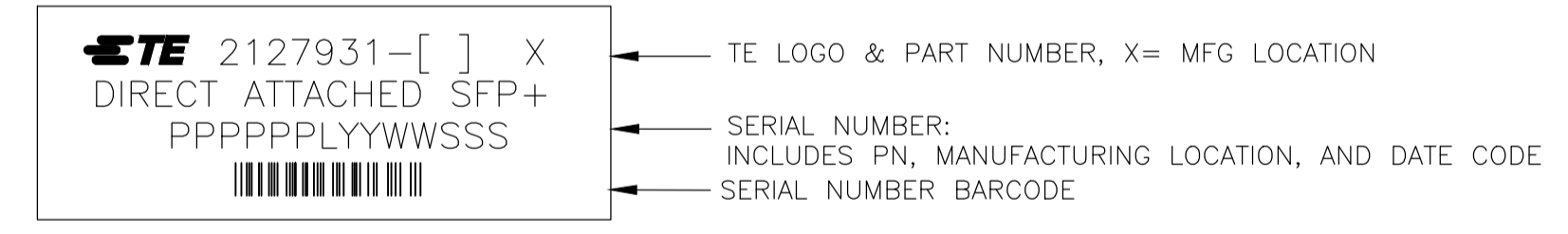


REVISIONS					
P	LTR	DESCRIPTION	DATE	DMN	APVD
H		REV PER ECO-20-005314	22APR2020	AK	GF

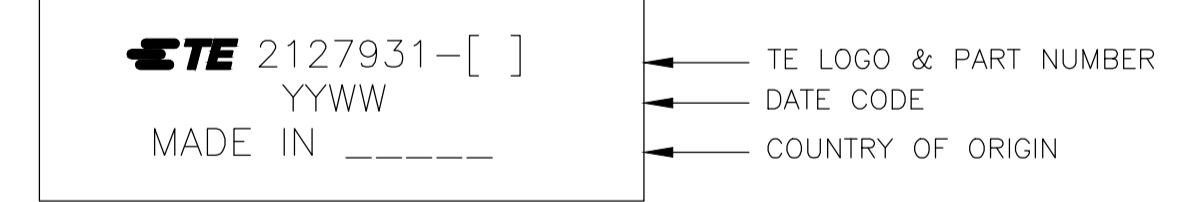


1. CHARACTERISTIC IMPEDANCE: 100±10 OHMS (MEASURED DIFFERENTIALLY).

△2 LABEL INFORMATION:



△3 LABEL INFORMATION:



4. SEE SHEET 2 FOR WIRING SCHEMATIC.

5. ROHS COMPLIANCE: PRODUCT AND PROCESSING MEETS REQUIREMENTS OF TE SPECIFICATION TEC-138-702.

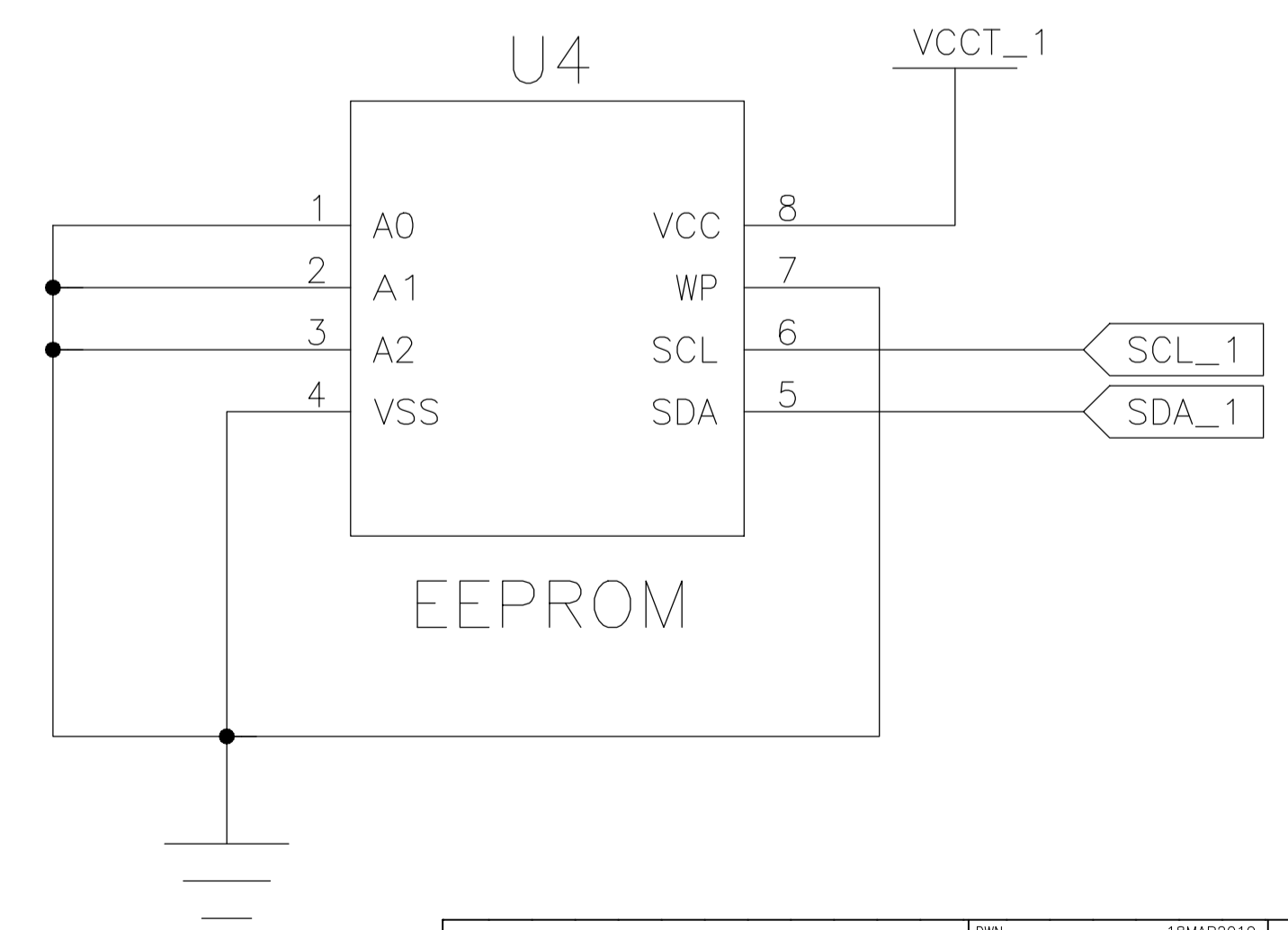
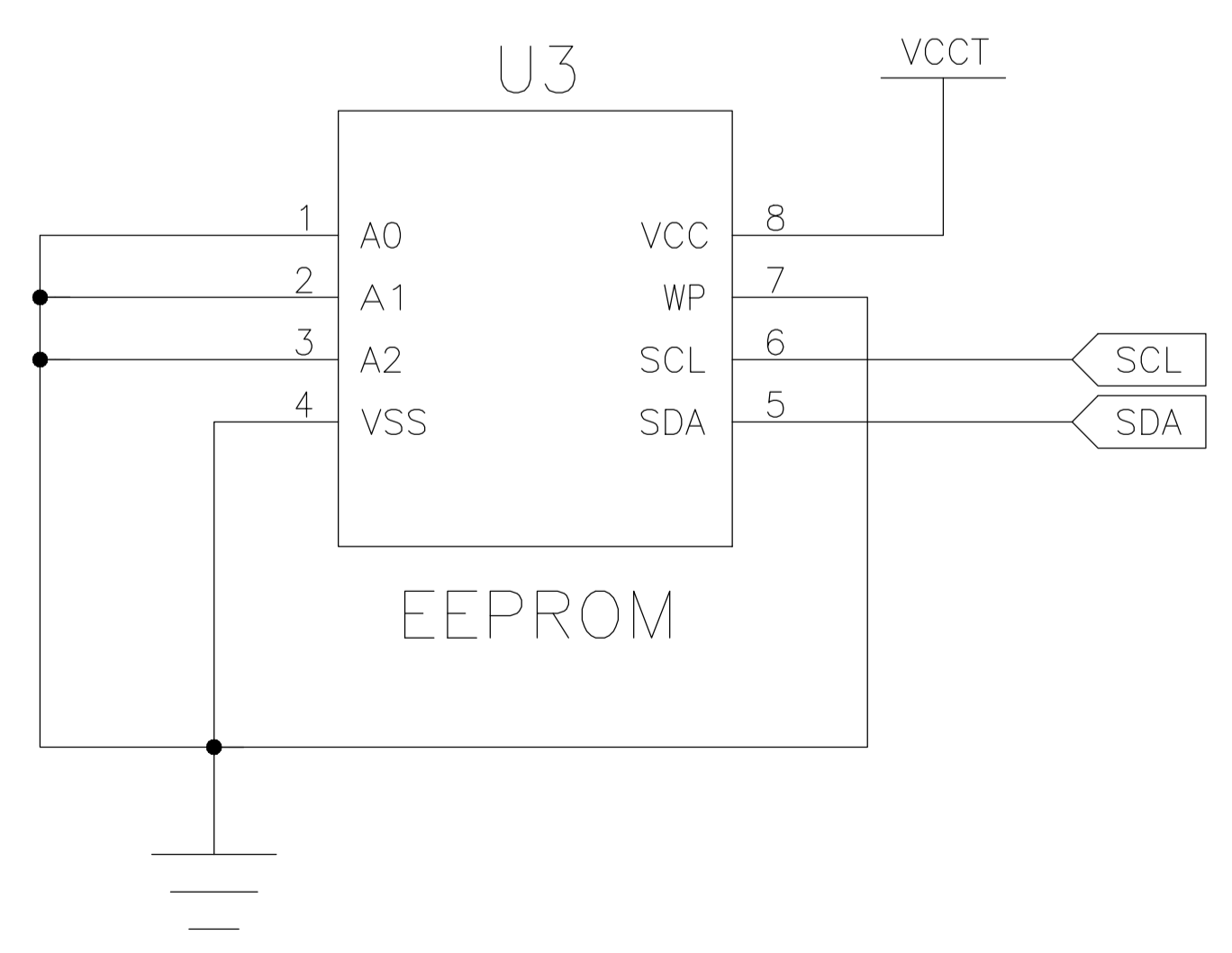
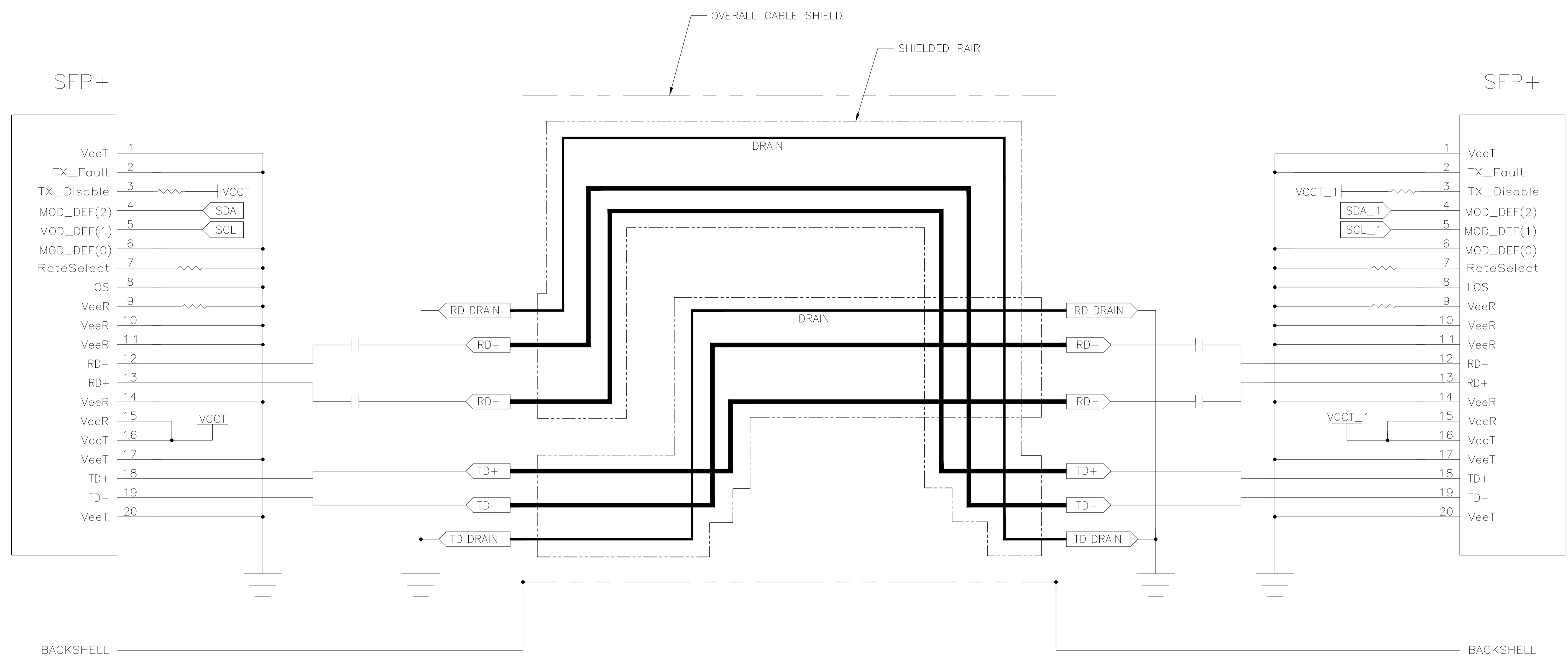
2.5 <sup>+0.08</sup> <sub>-0</sub> METERS	1-2127931-5
2.5 <sup>+0.08</sup> <sub>-0</sub> METERS	2127931-7
1.5 <sup>+0.05</sup> <sub>-0</sub> METERS	2127931-6
3 <sup>+0.08</sup> <sub>-0</sub> METERS	1-2127931-4
1 <sup>+0.05</sup> <sub>-0</sub> METERS	1-2127931-2
0.305 <sup>+0.05</sup> <sub>-0</sub> METERS	2127931-5
3 <sup>+0.08</sup> <sub>-0</sub> METERS	2127931-4
2 <sup>+0.08</sup> <sub>-0</sub> METERS	2127931-3
1 <sup>+0.05</sup> <sub>-0</sub> METERS	2127931-2
0.5 <sup>+0.05</sup> <sub>-0</sub> METERS	2127931-1
L	PART NO

SUPERSEDED BY 1-2127931-5

THIS DRAWING IS A CONTROLLED DOCUMENT.

DIMENSIONS: mm	TOLERANCES UNLESS OTHERWISE SPECIFIED:	DIN T. SMITH 18MAR2010	TE Connectivity
0 PLC ± -	1 PLC ± -	CHK C. ADAMS 18MAR2010	
2 PLC ± -	3 PLC ± -	APVD G. ADAMS 18MAR2010	NAME
4 PLC ± -	ANGLES ± -	PRODUCT SPEC	CABLE ASSY, 30 AWG, SFP+ TO SFP+ NI_PLATED
MATERIAL	FINISH	APPLICATION SPEC	SIZE CAGE CODE DRAWING NO RESTRICTED TO
		WEIGHT 0	A1 00779 C=2127931
CUSTOMER DRAWING		SCALE 1:1	SHEET 1 OF 2 REV H

REVISIONS					
P	LTR	DESCRIPTION	DATE	DWN	APVD
-	-	SEE SHEET 1	-	-	-



THIS DRAWING IS A CONTROLLED DOCUMENT.		DWN T. SMITH 18MAR2010		
DIMENSIONS: mm		CHK C. ADAMS 18MAR2010		
TOLERANCES UNLESS OTHERWISE SPECIFIED:		APRD C. ADAMS 18MAR2010	NAME CABLE ASSY, 30 AWG, SFP+ TO SFP+ NI_PLATED	
0. PLC ± -	1. PLC ± -	PRODUCT SPEC	SIZE A1	
2. PLC ± -	3. PLC ± -	APPLICATION SPEC	CAGE CODE 00779	DRAWING NO. 2127931
4. PLC ± -	ANGLES ± -	RESTRICTED TO	CUSTOMER DRAWING	
MATERIAL	FINISH	WEIGHT	SCALE 1:1	SHEET 2 OF 2

## X-ON Electronics

Largest Supplier of Electrical and Electronic Components

*Click to view similar products for [Ethernet Cables / Networking Cables](#) category:*

*Click to view products by [TE Connectivity](#) manufacturer:*

Other Similar products are found below :

[73-6670-7](#) [73-6680-15](#) [73-7797-25](#) [MCJB2-10P6Q7-120](#) [84909-0204](#) [1200700174](#) [1200860368](#) [E16A06002M030](#) [E200102-009-S1](#)  
[AX105346-EW](#) [MT14-187L](#) [17-103530](#) [ERWPAB3002M005](#) [190-038045-01](#) [NK5EPC18RDY](#) [NK5EPC18VLY](#) [NK5EPC18YLY](#)  
[NK5EPC1GRY](#) [NK5EPC4Y](#) [NK5EPC6YLY](#) [NK5EPC8BLY](#) [NK5EPC9YLY](#) [1969343-6](#) [C501100010](#) [C501106002](#) [C501106007](#)  
[C501106015](#) [C501106025](#) [C601102010](#) [C601104010](#) [C601106007](#) [C601106015](#) [2142758-2](#) [2168427-2](#) [CAT1106007](#) [21949-1](#) [2J1866A](#)  
[RJF SFTP 5E 0500](#) [AX100351](#) [MN14CEC/ST](#) [C501100015](#) [C501106004](#) [C501106010](#) [C5F1108007](#) [C601104004](#) [C601106004](#)  
[CA21106004](#) [CA21106010](#) [CA21106015](#) [CA21109007](#)