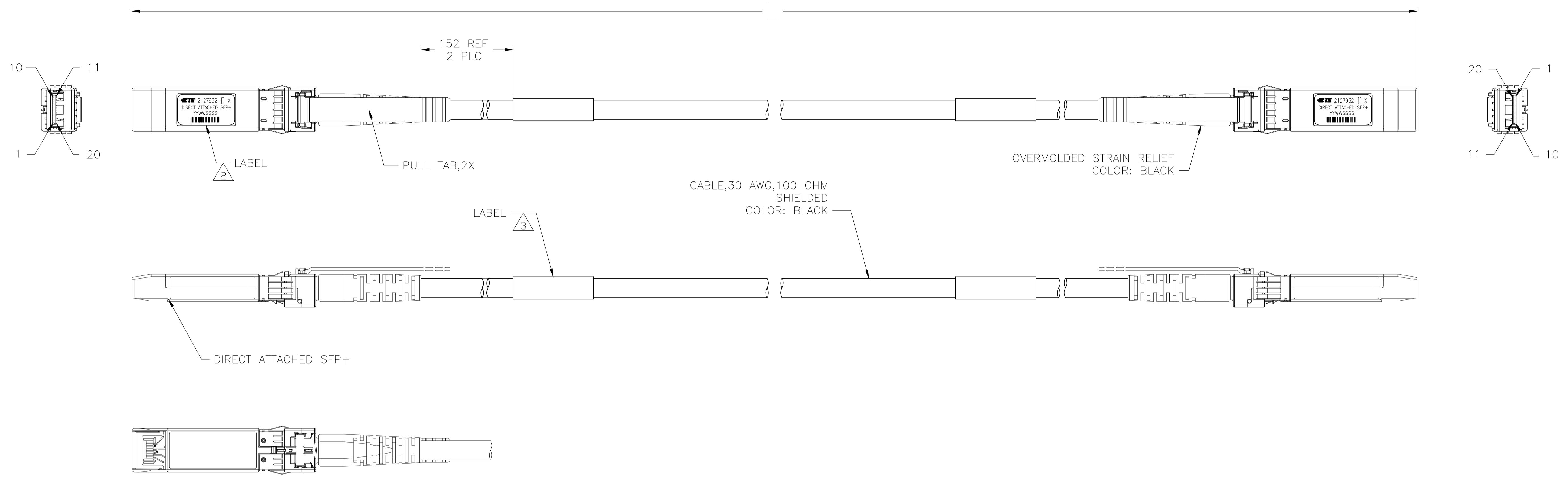
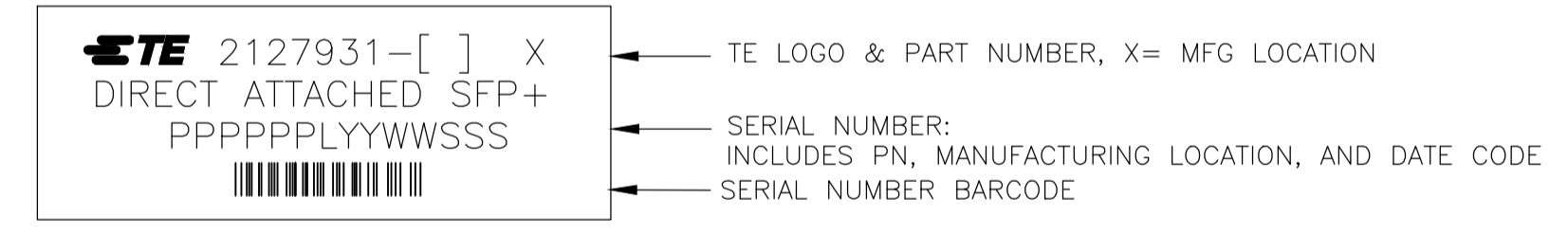


REVISIONS					
P	LTR	DESCRIPTION	DATE	DMN	APVD
H		REV PER ECO-20-005314	22APR2020	AK	GF

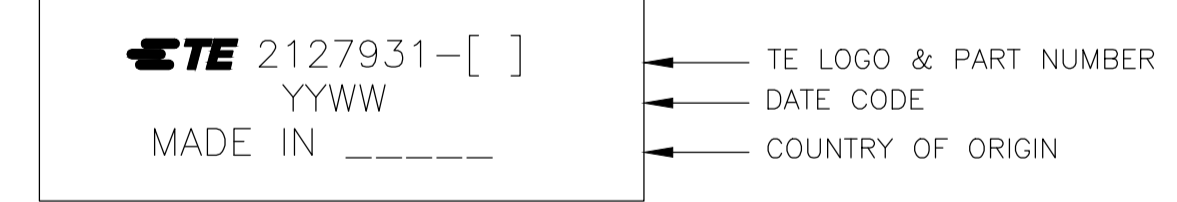


1. CHARACTERISTIC IMPEDANCE: 100±10 OHMS (MEASURED DIFFERENTIALLY).

△2 LABEL INFORMATION:



△3 LABEL INFORMATION:



4. SEE SHEET 2 FOR WIRING SCHEMATIC.

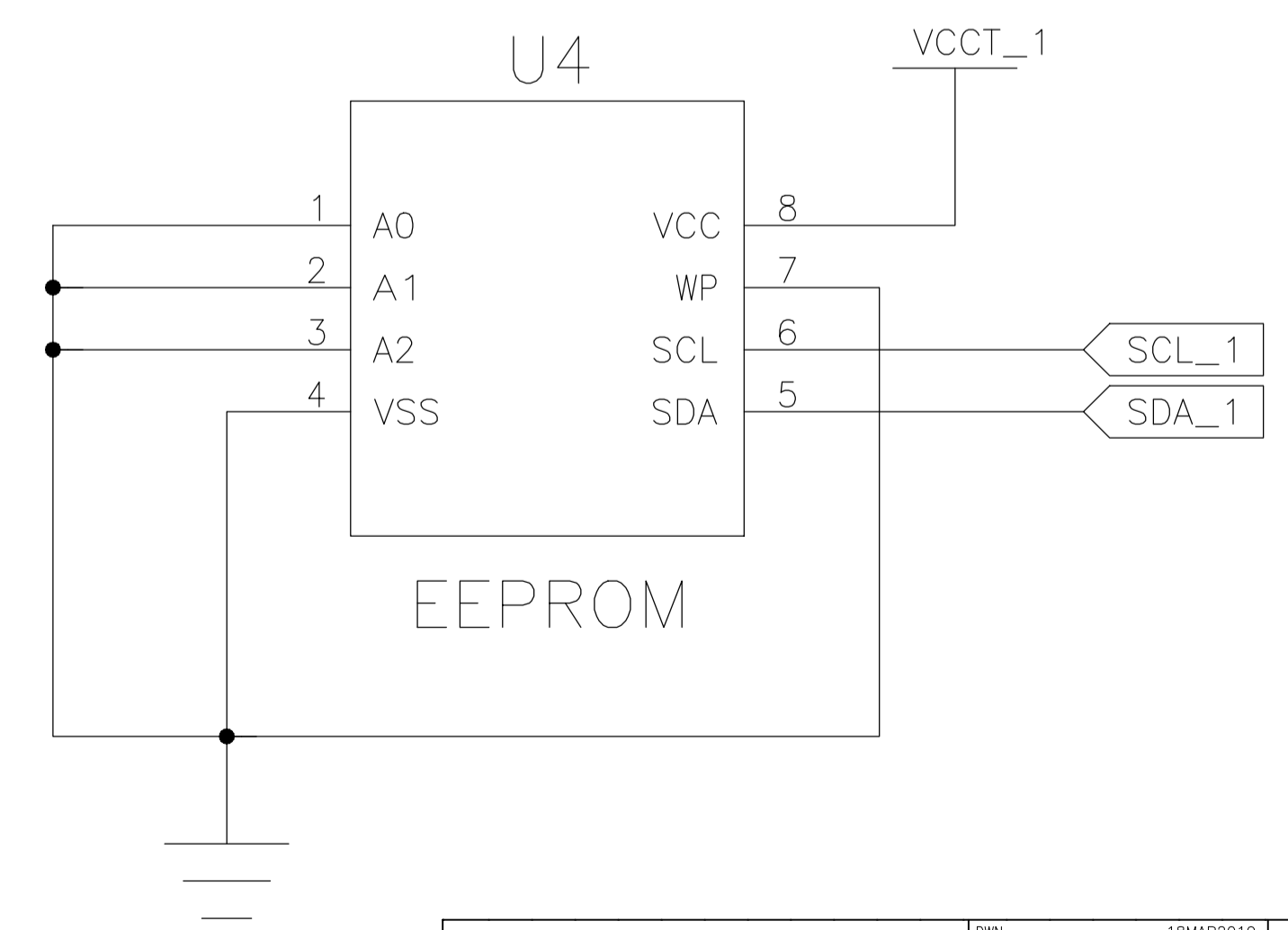
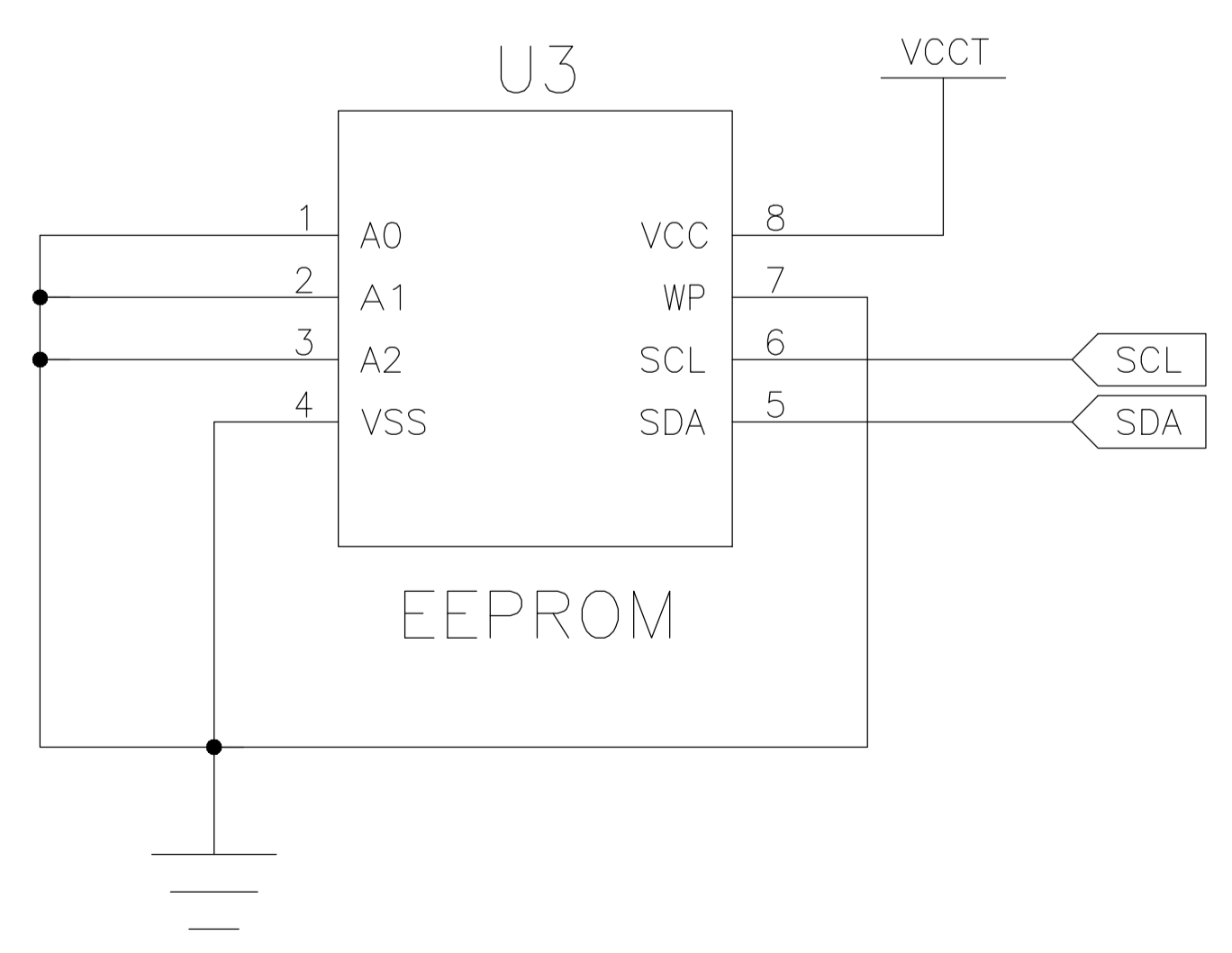
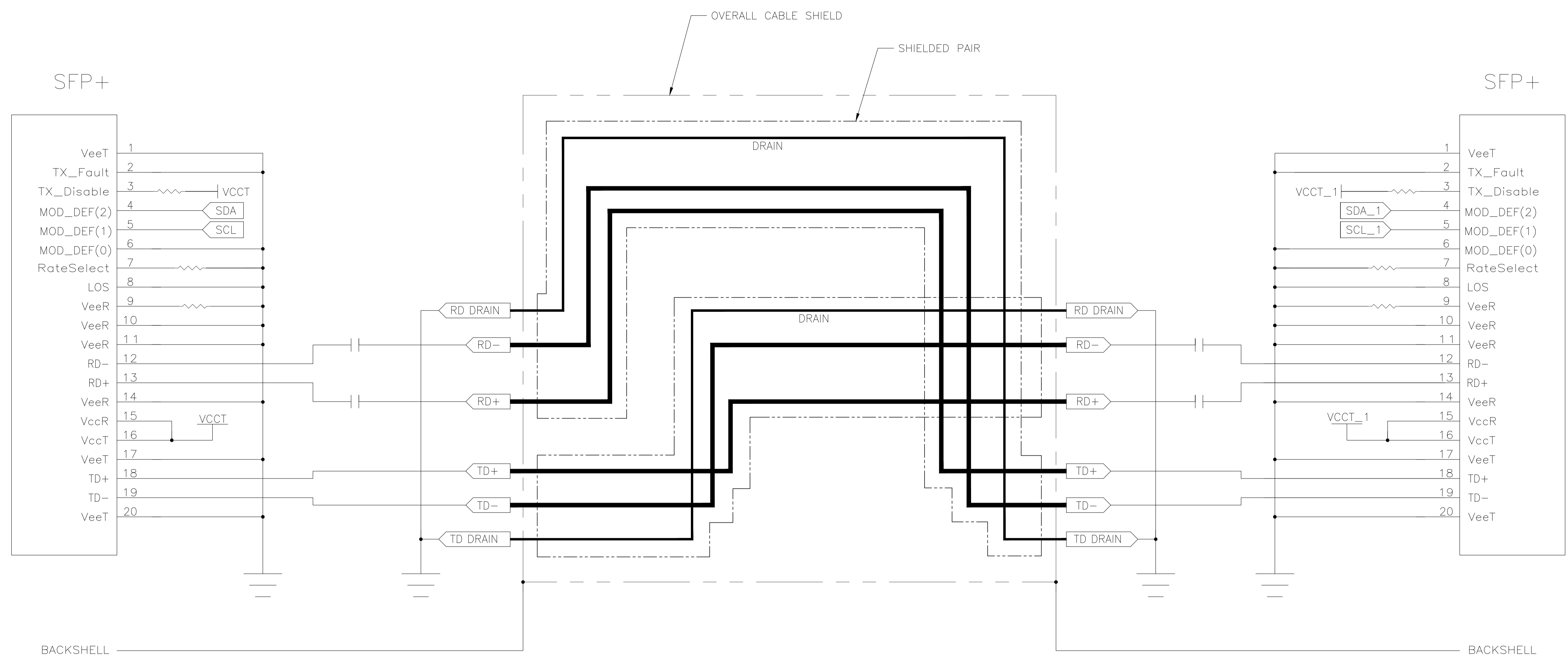
5. ROHS COMPLIANCE: PRODUCT AND PROCESSING MEETS REQUIREMENTS OF TE SPECIFICATION TEC-138-702.

2.5 ^{+0.08} ₋₀ METERS	1-2127931-5
2.5 ^{+0.08} ₋₀ METERS	2127931-7
1.5 ^{+0.05} ₋₀ METERS	2127931-6
3 ^{+0.08} ₋₀ METERS	1-2127931-4
1 ^{+0.05} ₋₀ METERS	1-2127931-2
0.305 ^{+0.05} ₋₀ METERS	2127931-5
3 ^{+0.08} ₋₀ METERS	2127931-4
2 ^{+0.08} ₋₀ METERS	2127931-3
1 ^{+0.05} ₋₀ METERS	2127931-2
0.5 ^{+0.05} ₋₀ METERS	2127931-1
L	PART NO

SUPERSEDED BY 1-2127931-5

THIS DRAWING IS A CONTROLLED DOCUMENT.		DIN T. SMITH 18MAR2010		
DIMENSIONS: mm		CHK C. ADAMS 18MAR2010		
TOLERANCES UNLESS OTHERWISE SPECIFIED:		APVD C. ADAMS 18MAR2010	NAME	
0 PLC ± -		PRODUCT SPEC	CABLE ASSY, 30 AWG, SFP+ TO SFP+ NI_PLATED	
1 PLC ± -		APPLICATION SPEC	-	
2 PLC ± -		SIZE	A1	
3 PLC ± -		WEIGHT	0	
4 PLC ± -		DRAWING NO	00779	
ANGLES ± -		DRAWING NO	C=2127931	
MATERIAL	FINISH	CUSTOMER DRAWING	SCALE	1:1
		SHEET	1 OF 2	
		REV	H	

REVISIONS					
P	LTR	DESCRIPTION	DATE	DWN	APVD
-	-	SEE SHEET 1	-	-	-



THIS DRAWING IS A CONTROLLED DOCUMENT.		DWN T. SMITH 18MAR2010	
DIMENSIONS: mm		CHK C. ADAMS 18MAR2010	
TOLERANCES UNLESS OTHERWISE SPECIFIED:		NAME C. ADAMS 18MAR2010	RESTRICTED TO
0. PLC	±	PRODUCT SPEC	
1. PLC	±	APPLICATION SPEC	
2. PLC	±		
3. PLC	±		
4. PLC	±		
ANGLES	±		
FINISH	±		
MATERIAL		SIZE A1	CAGE CODE 00779
		DRAWING NO. 2127931	SCALE 1:1
		CUSTOMER DRAWING	SHEET 2 OF 2

X-ON Electronics

Largest Supplier of Electrical and Electronic Components

Click to view similar products for [Ethernet Cables / Networking Cables](#) category:

Click to view products by [TE Connectivity](#) manufacturer:

Other Similar products are found below :

[73-6670-7](#) [73-6680-15](#) [73-7797-25](#) [MCJB2-10P6Q7-120](#) [84909-0204](#) [1200700174](#) [1200860368](#) [E16A06002M030](#) [E200102-009-S1](#)
[AX105346-EW](#) [MT14-187L](#) [17-103530](#) [ERWPAB3002M005](#) [190-038045-01](#) [NK5EPC18RDY](#) [NK5EPC18VLY](#) [NK5EPC18YLY](#)
[NK5EPC1GRY](#) [NK5EPC4Y](#) [NK5EPC6YLY](#) [NK5EPC8BLY](#) [NK5EPC9YLY](#) [1969343-6](#) [C501100010](#) [C501106002](#) [C501106007](#)
[C501106015](#) [C501106025](#) [C601102010](#) [C601104010](#) [C601106007](#) [C601106015](#) [2142758-2](#) [2168427-2](#) [CAT1106007](#) [21949-1](#) [2J1866A](#)
[RJF SFTP 5E 0500](#) [AX100351](#) [MN14CEC/ST](#) [C501100015](#) [C501106004](#) [C501106010](#) [C5F1108007](#) [C601104004](#) [C601106004](#)
[CA21106004](#) [CA21106010](#) [CA21106015](#) [CA21109007](#)