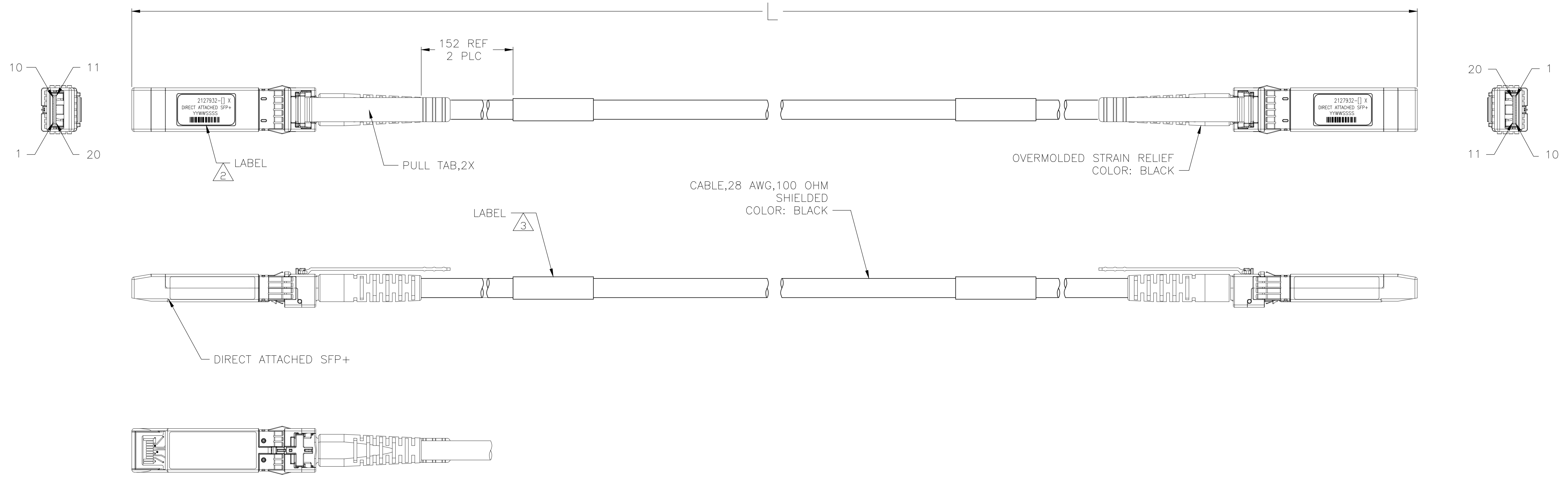
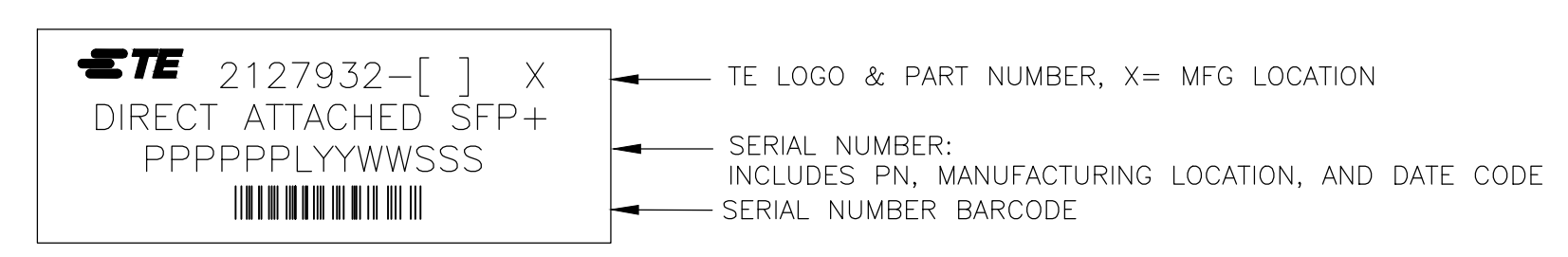


REVISIONS					
P	LTR	DESCRIPTION	DATE	OWN	APVD
D	REV PER ECO-20-005299		15APR2020	AK	GL

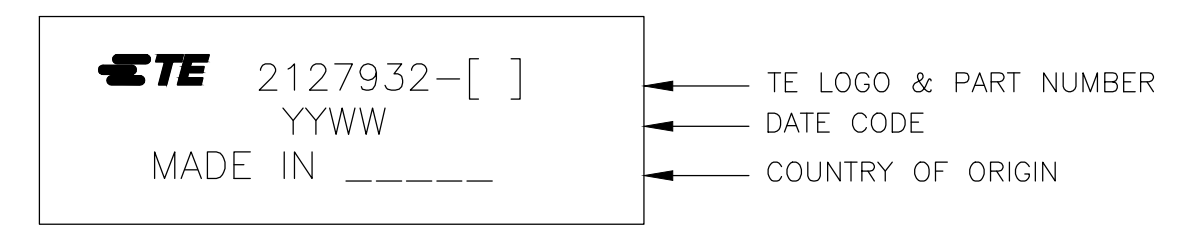


1. CHARACTERISTIC IMPEDANCE: 100±10 OHMS (MEASURED DIFFERENTIALLY).

△2 LABEL INFORMATION:



△3 LABEL INFORMATION:



4. SEE SHEET 2 FOR WIRING SCHEMATIC.

5. ROHS COMPLIANCE: PRODUCT AND PROCESSING MEETS REQUIREMENTS OF TE SPECIFICATION TEC-138-702.

3.5 <sup>+0.08</sup> <sub>-0</sub> METERS	2127932-7
5 <sup>+0.1</sup> <sub>-0</sub> METERS	2127932-6
4 <sup>+0.08</sup> <sub>-0</sub> METERS	2127932-5
3 <sup>+0.08</sup> <sub>-0</sub> METERS	2127932-4
2 <sup>+0.08</sup> <sub>-0</sub> METERS	2127932-3
1 <sup>+0.05</sup> <sub>-0</sub> METERS	2127932-2
0.5 <sup>+0.05</sup> <sub>-0</sub> METERS	2127932-1
L	PART NO

THIS DRAWING IS A CONTROLLED DOCUMENT.

DIN	T. SMITH	18MAR2010
CHK	C. ADAMS	18MAR2010
APVD	C. ADAMS	18MAR2010
PRODUCT SPEC		
APPLICATION SPEC		
WEIGHT		
CUSTOMER DRAWING		

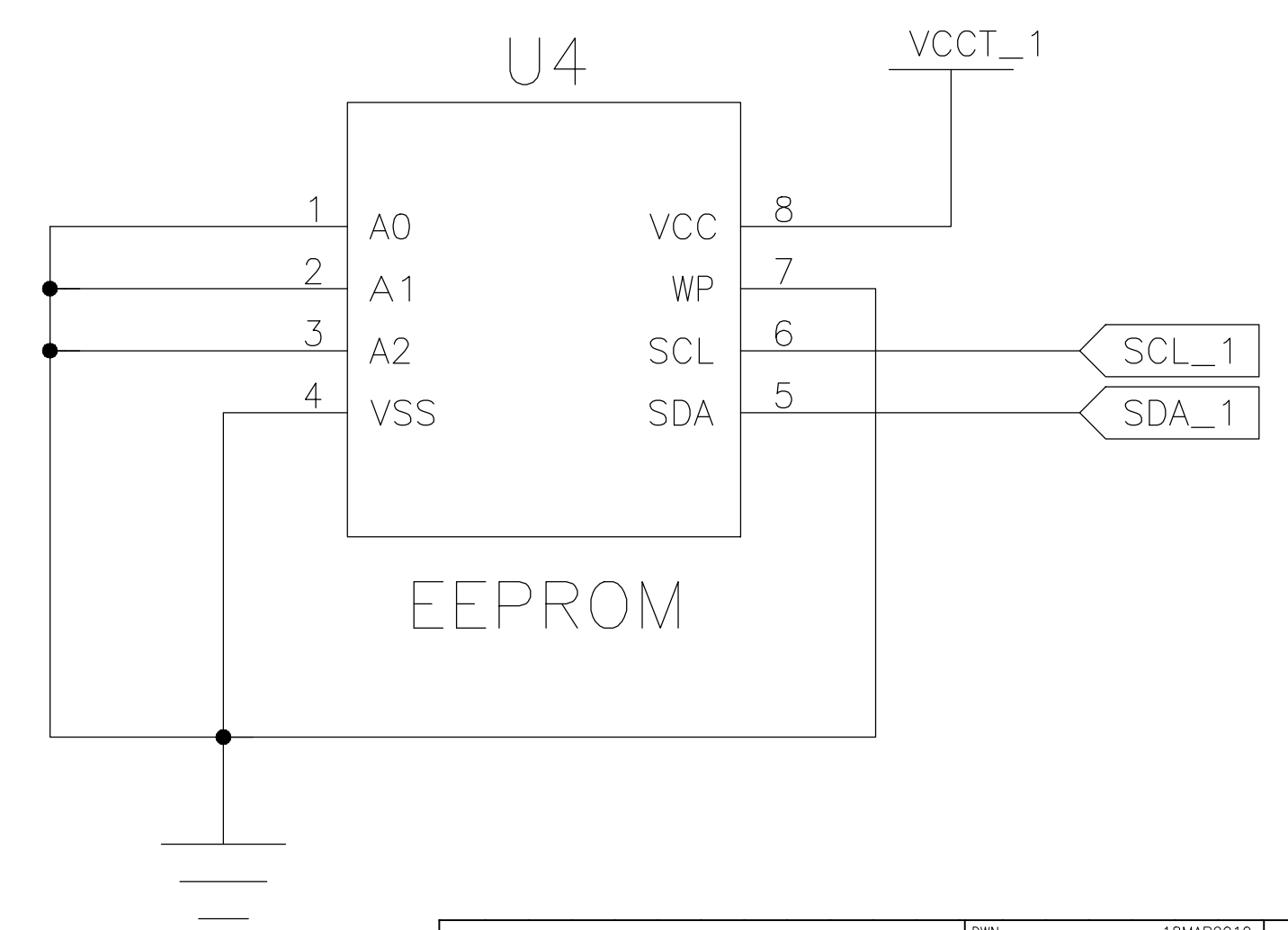
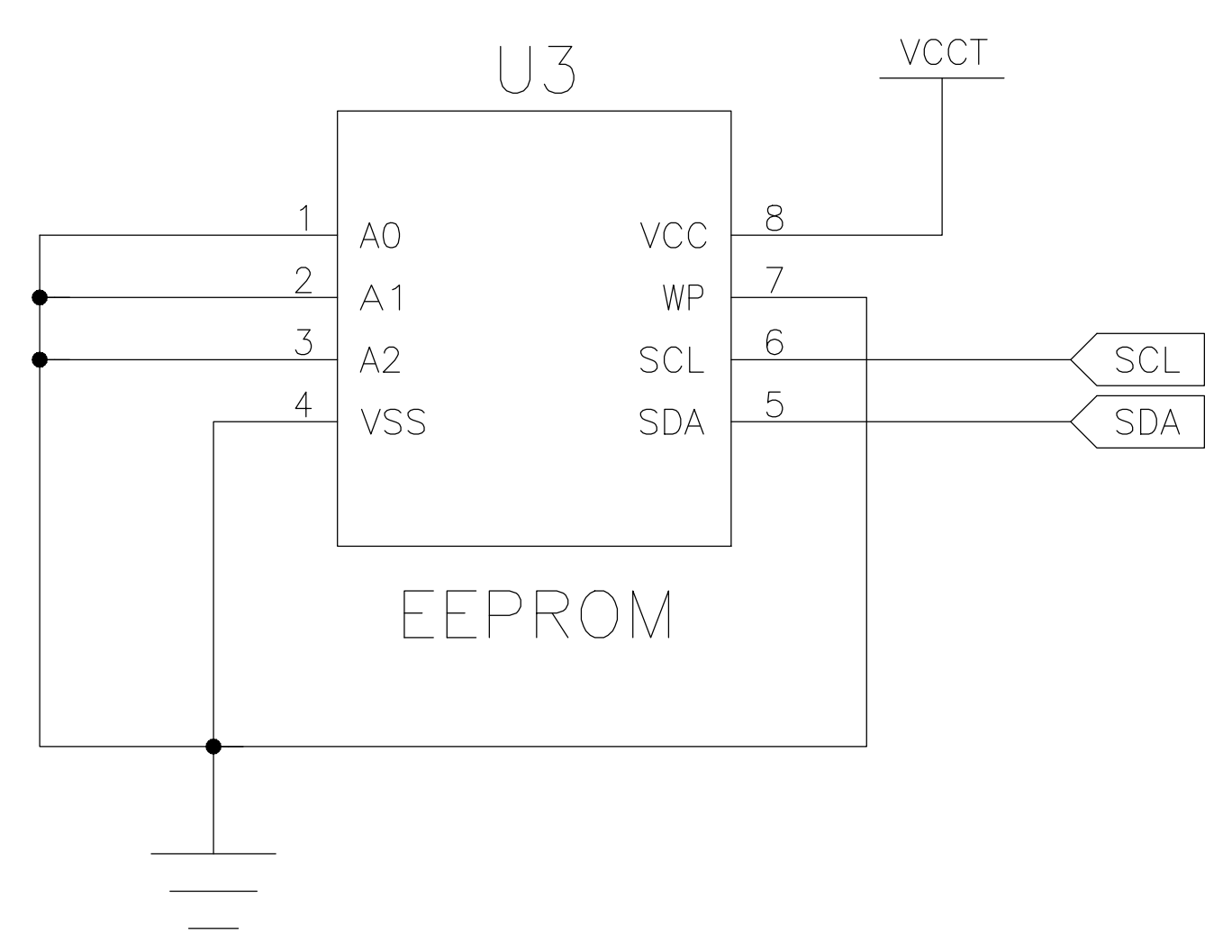
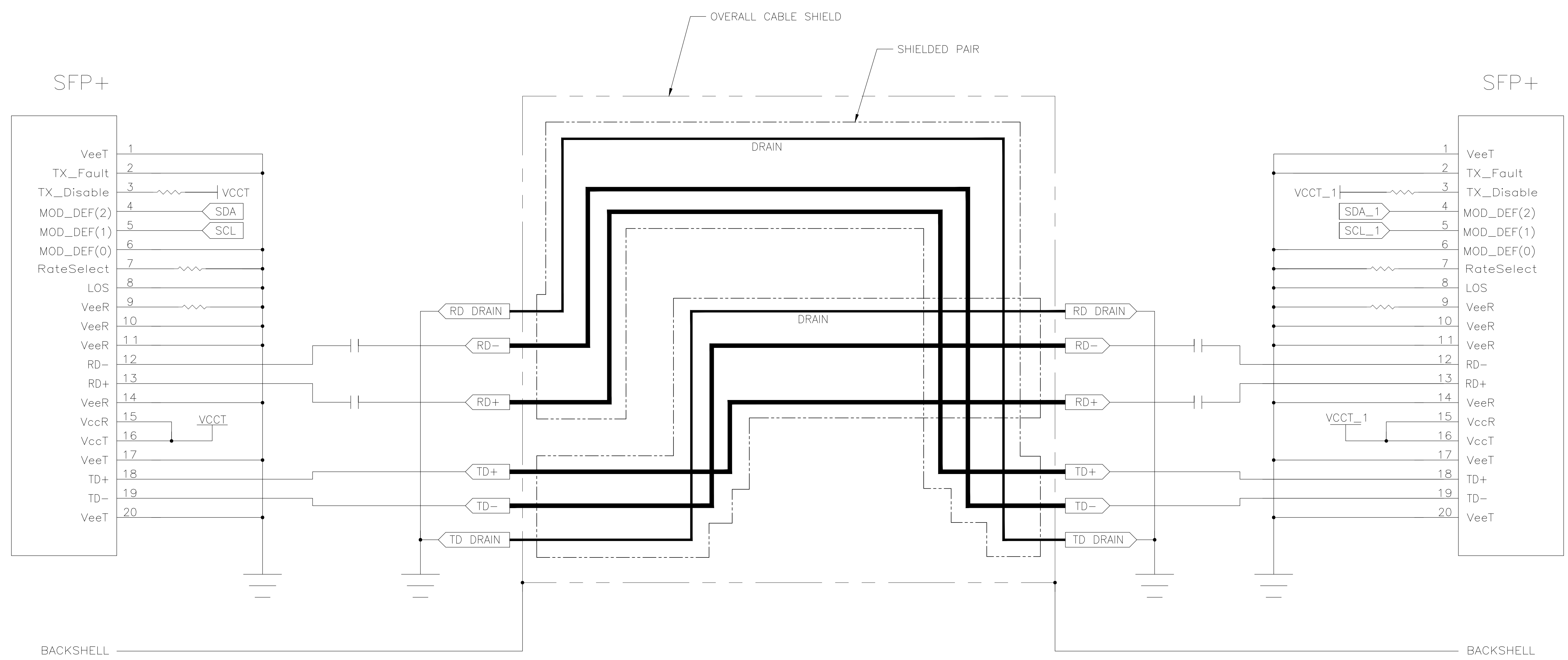
TE Connectivity Ltd.

NAME: CABLE ASSY, 28 AWG, SFP+ TO SFP+ NI\_PLATED

SIZE: A1 | CASE CODE: 00779 | DRAWING NO: 2127932 | RESTRICTED TO: -

SCALE: 1:1 | SHEET: 1 OF 2 | REV: D

REVISIONS				
#	LR	DESCRIPTION	DATE	OWN
-	-	SEE SHEET 1	-	-



THIS DRAWING IS A CONTROLLED DOCUMENT.		DWN T. SMITH 18MAR2010	TE Connectivity Ltd.	
DIMENSIONS: mm		CHK C. ADAMS 18MAR2010	NAME CABLE ASSY, 28 AWG, SFP+ TO SFP+ NI_PLATED	
TOLERANCES UNLESS OTHERWISE SPECIFIED: 0. PLC ± - 1. PLC ± - 2. PLC ± - 3. PLC ± - 4. PLC ± - ANGLES ± -		APP'D C. ADAMS 18MAR2010	PRODUCT SPEC APPLICATION SPEC	
MATERIAL		WEIGHT	SIZE A1	CAGE CODE 00779
		FINISH	DRAWING NO 2127932	RESTRICTED TO D
			SCALE 1:1 SHEET 2 OF 2 REV D	
			CUSTOMER DRAWING	

## X-ON Electronics

Largest Supplier of Electrical and Electronic Components

*Click to view similar products for [Ethernet Cables / Networking Cables](#) category:*

*Click to view products by [TE Connectivity](#) manufacturer:*

Other Similar products are found below :

[73-6670-7](#) [73-6680-15](#) [73-7797-25](#) [MCJB2-10P6Q7-120](#) [84909-0204](#) [1200700174](#) [1200860368](#) [E16A06002M030](#) [E200102-009-S1](#)  
[AX105346-EW](#) [MT14-187L](#) [17-103530](#) [ERWPAB3002M005](#) [190-038045-01](#) [NK5EPC18RDY](#) [NK5EPC18VLY](#) [NK5EPC18YLY](#)  
[NK5EPC1GRY](#) [NK5EPC4Y](#) [NK5EPC6YLY](#) [NK5EPC8BLY](#) [NK5EPC9YLY](#) [1969343-6](#) [C501100010](#) [C501106002](#) [C501106007](#)  
[C501106015](#) [C501106025](#) [C601102010](#) [C601104010](#) [C601106007](#) [C601106015](#) [2142758-2](#) [2168427-2](#) [CAT1106007](#) [21949-1](#) [2J1866A](#)  
[RJF SFTP 5E 0500](#) [AX100351](#) [MN14CEC/ST](#) [C501100015](#) [C501106004](#) [C501106010](#) [C5F1108007](#) [C601104004](#) [C601106004](#)  
[CA21106004](#) [CA21106010](#) [CA21106015](#) [CA21109007](#)