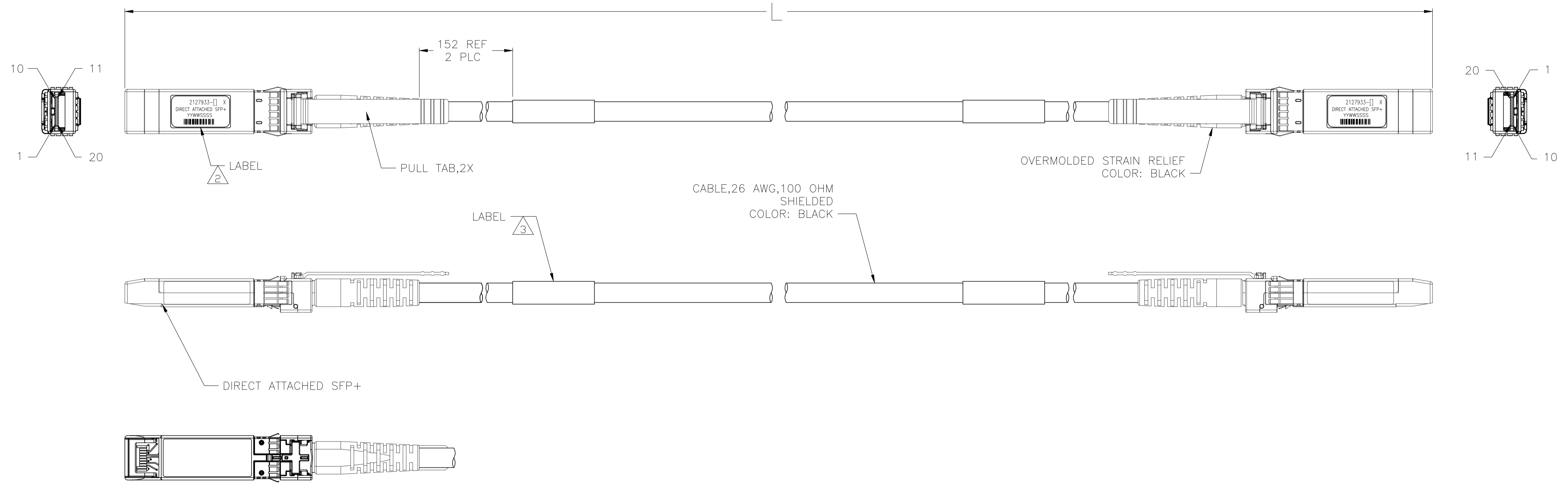
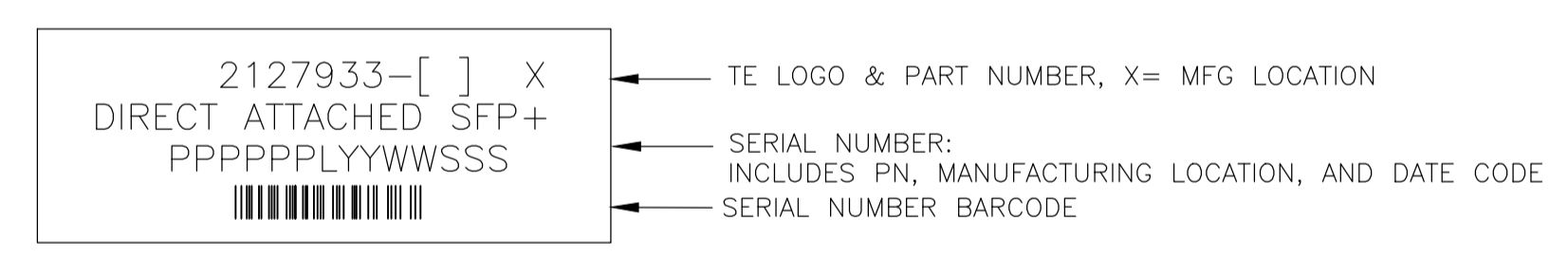


REVISIONS					
P	LTR	DESCRIPTION	DATE	OWN	APVD
D	REV PER ECO-20-005299		15APR2020	AK	GL

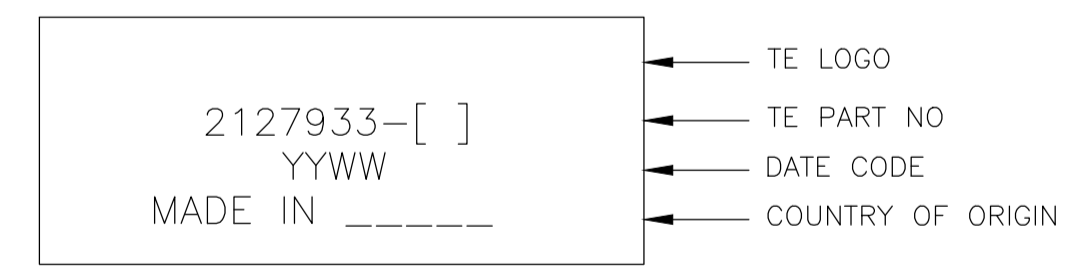


1. CHARACTERISTIC IMPEDANCE: 100±10 OHMS (MEASURED DIFFERENTIALLY).

2 LABEL INFORMATION:



3 LABEL INFORMATION:



4. SEE SHEET 2 FOR WIRING SCHEMATIC.

5. ROHS COMPLIANCE: PRODUCT AND PROCESSING MEETS REQUIREMENTS OF TYCO ELECTRONICS SPECIFICATION TEC-138-702.

6	+0.1 -0	METERS	2127933-7
5	+0.1 -0	METERS	2127933-6
4	+0.08 -0	METERS	2127933-5
3	+0.08 -0	METERS	2127933-4
2	+0.08 -0	METERS	2127933-3
1	+0.05 -0	METERS	2127933-2
0.5	+0.05 -0	METERS	2127933-1
L			PART NO

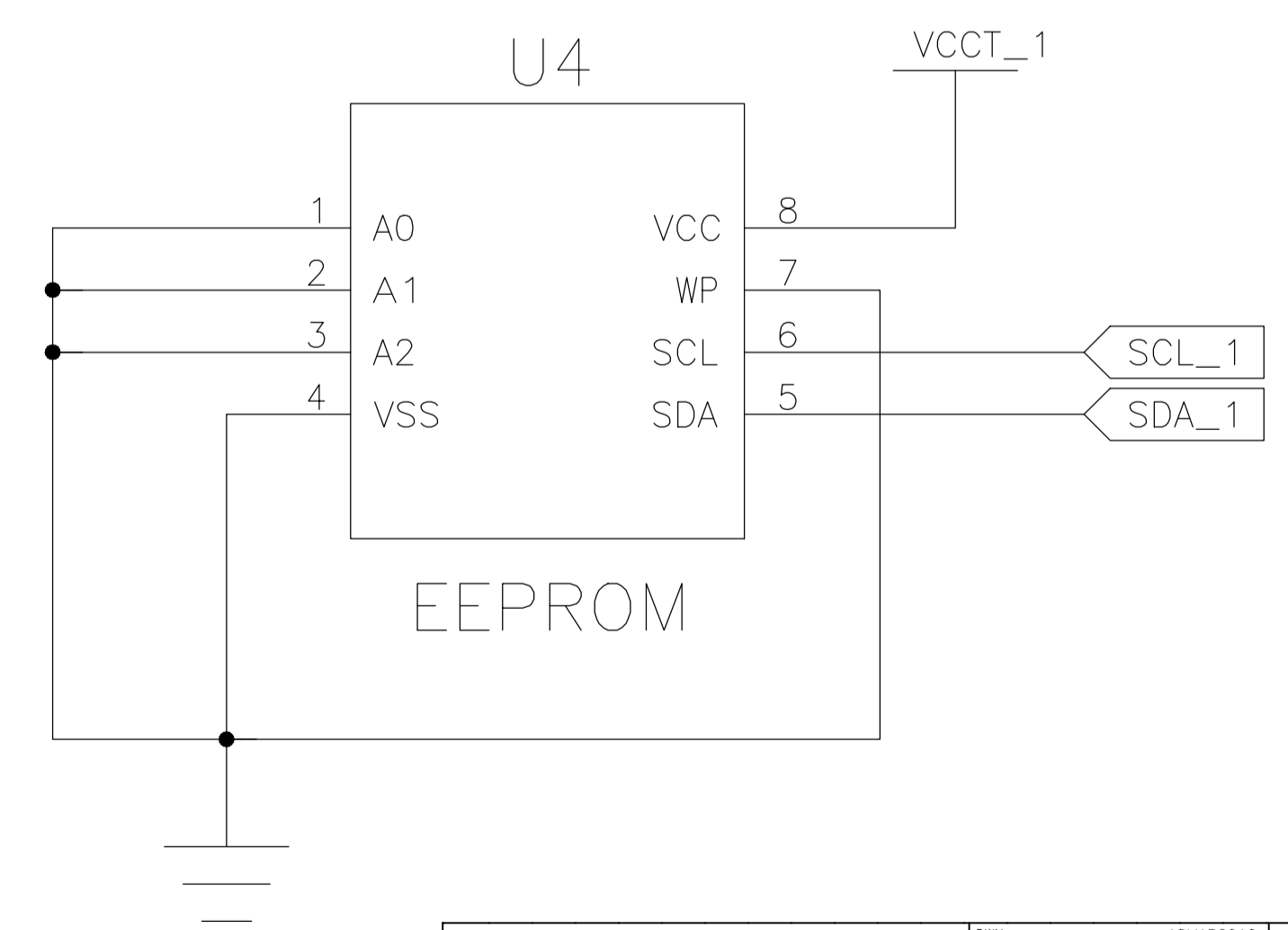
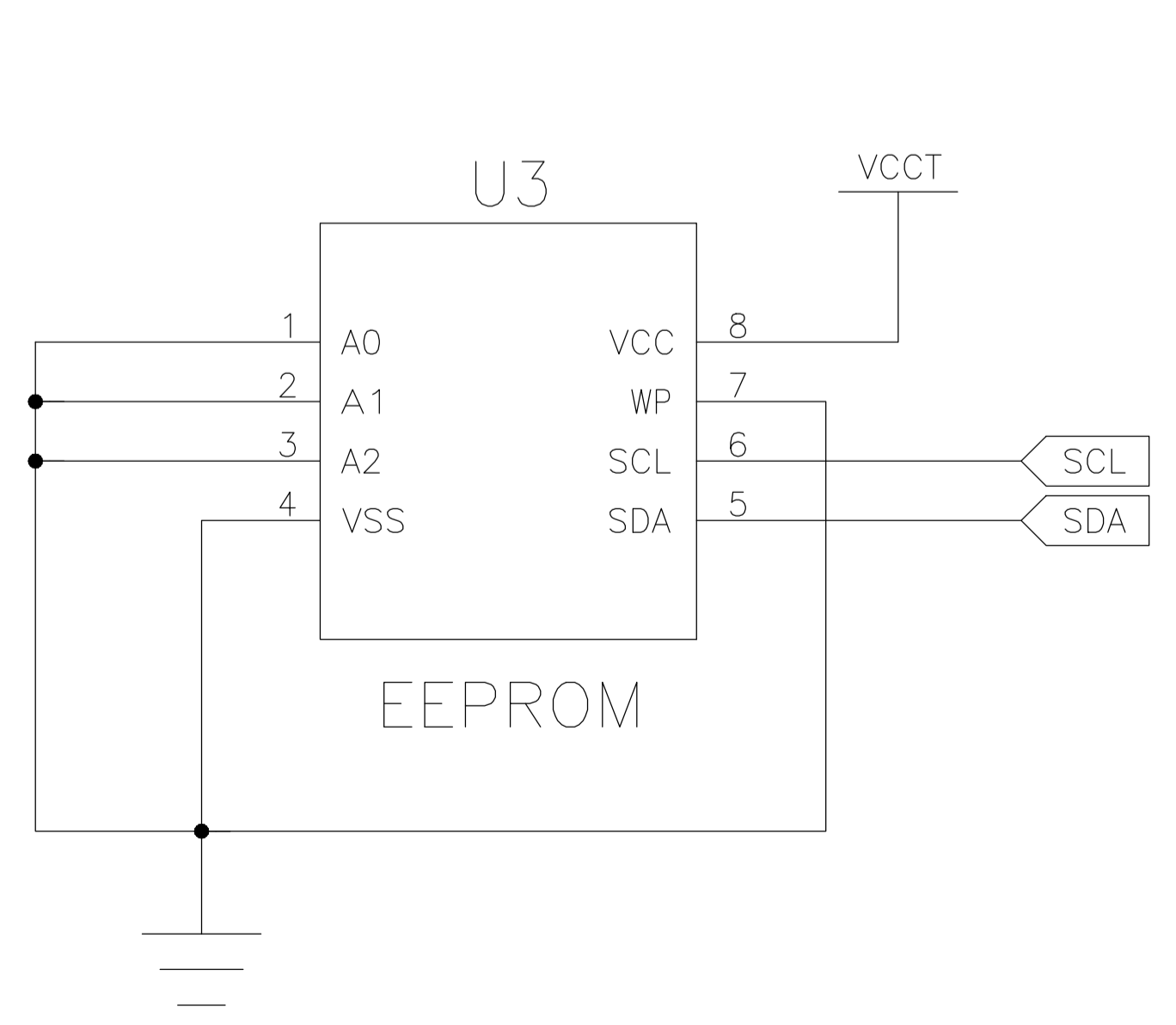
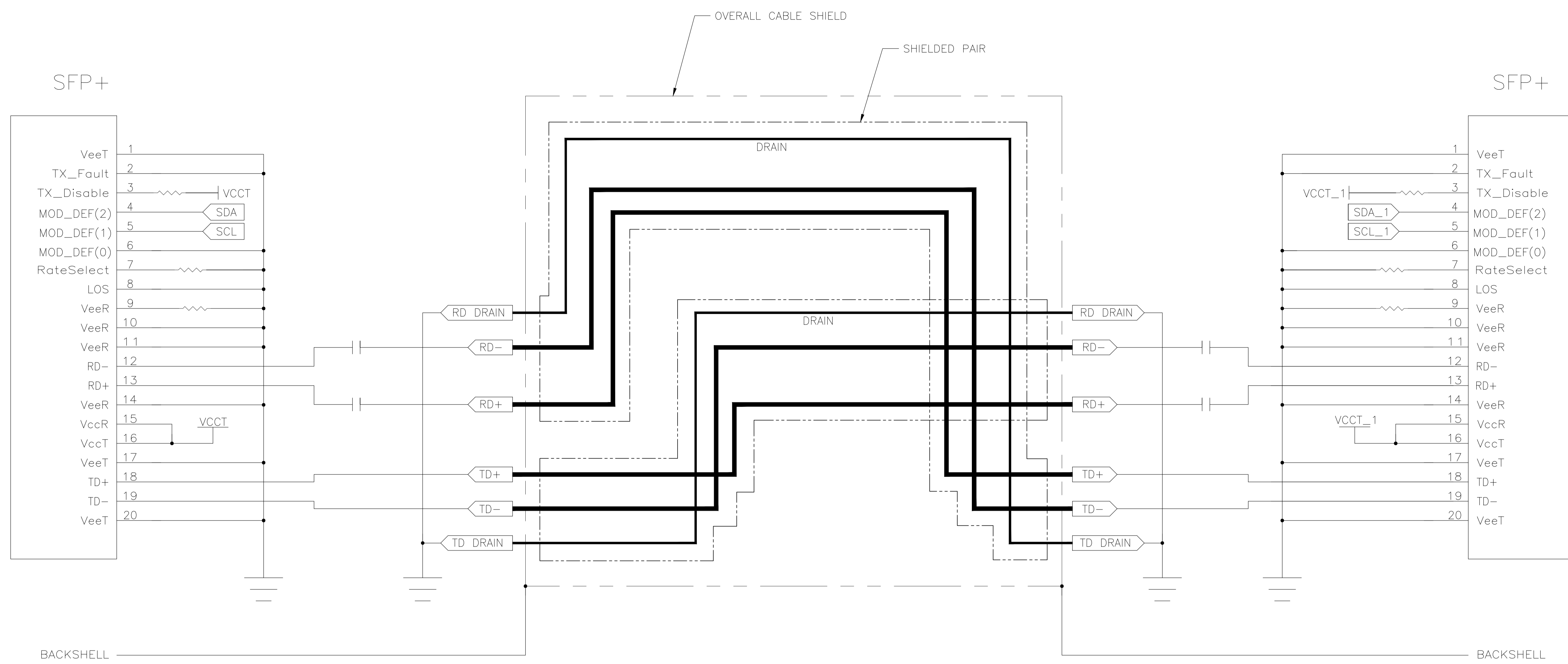
THIS DRAWING IS A CONTROLLED DOCUMENT.

DIN	T. SMITH	18MAR2010
CHK	C. ADAMS	18MAR2010
APVD	C. ADAMS	18MAR2010

STE TE Connectivity Ltd.

DIMENSIONS:	TOLERANCES UNLESS OTHERWISE SPECIFIED:	NAME	RESTRICTED TO
mm	0 PLC ± -	CABLE ASSY, 26 AWG, SFP+ TO SFP+ NI_PLATED	
	1 PLC ± -		
	2 PLC ± -		
	3 PLC ± -		
	4 PLC ± -		
	ANGLES ± -		
MATERIAL	FINISH	SIZE	SCALE
		A1 00779	1:1
		WEIGHT	SHEET
			1 OF 2
		CUSTOMER DRAWING	REV
			D

REVISIONS					
P	LTR	DESCRIPTION	DATE	DN	APVD
-	-	SEE SHEET 1	-	-	-



THIS DRAWING IS A CONTROLLED DOCUMENT.		DIN T. SMITH 18MAR2010	TE Connectivity Ltd.
DIMENSIONS: mm		CHK C. ADAMS 18MAR2010	
TOLERANCES UNLESS OTHERWISE SPECIFIED:		APVD C. ADAMS 18MAR2010	NAME CABLE ASSY, 26 AWG, SFP+ TO SFP+ NI_PLATED
0. PLC ± -	1. PLC ± -	PRODUCT SPEC	APPLICATION SPEC
2. PLC ± -	3. PLC ± -	SIZE A1	CAGE CODE 00779
4. PLC ± -	ANGLES ± -	DRAWING NO. 2127933	RESTRICTED TO
MATERIAL	FINISH	WEIGHT	SCALE 1:1 SHEET 2 OF 2 REV D
CUSTOMER DRAWING			

X-ON Electronics

Largest Supplier of Electrical and Electronic Components

Click to view similar products for [Ethernet Cables / Networking Cables](#) category:

Click to view products by [TE Connectivity](#) manufacturer:

Other Similar products are found below :

[73-6670-7](#) [73-6680-15](#) [73-7797-25](#) [MCJB2-10P6Q7-120](#) [84909-0204](#) [1200700174](#) [1200860368](#) [E16A06002M030](#) [E200102-009-S1](#)
[AX105346-EW](#) [MT14-187L](#) [17-103530](#) [ERWPAB3002M005](#) [190-038045-01](#) [NK5EPC18RDY](#) [NK5EPC18VLY](#) [NK5EPC18YLY](#)
[NK5EPC1GRY](#) [NK5EPC4Y](#) [NK5EPC6YLY](#) [NK5EPC8BLY](#) [NK5EPC9YLY](#) [1969343-6](#) [C501100010](#) [C501106002](#) [C501106007](#)
[C501106015](#) [C501106025](#) [C601102010](#) [C601104010](#) [C601106007](#) [C601106015](#) [2142758-2](#) [2168427-2](#) [CAT1106007](#) [21949-1](#) [2J1866A](#)
[RJF SFTP 5E 0500](#) [AX100351](#) [MN14CEC/ST](#) [C501100015](#) [C501106004](#) [C501106010](#) [C5F1108007](#) [C601104004](#) [C601106004](#)
[CA21106004](#) [CA21106010](#) [CA21106015](#) [CA21109007](#)