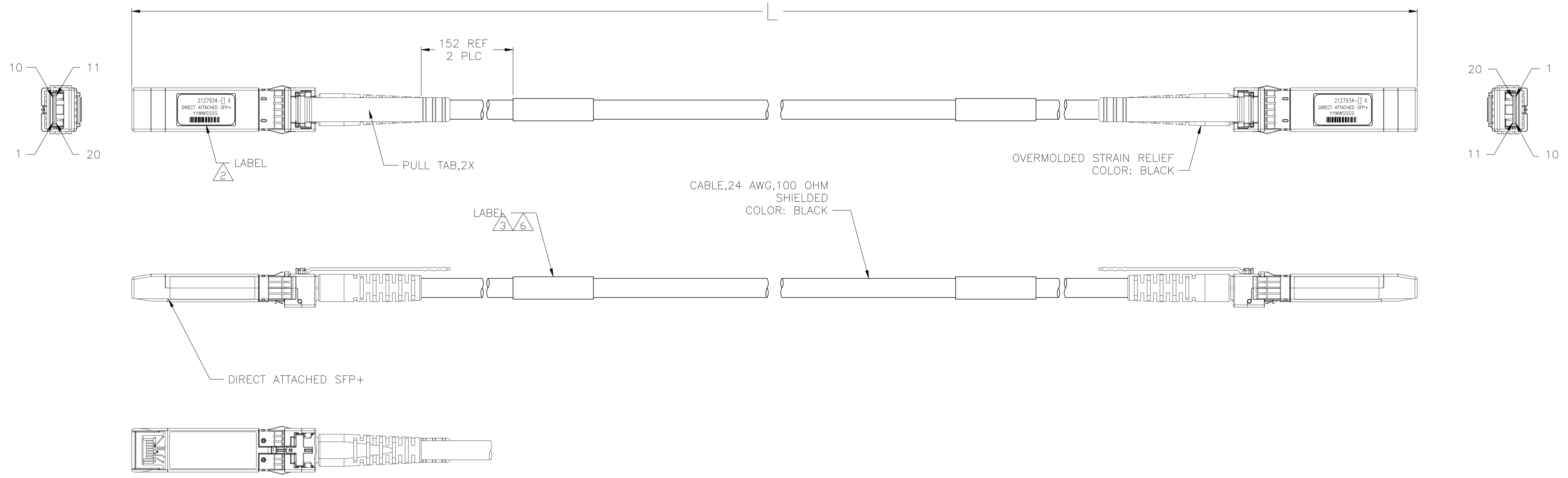
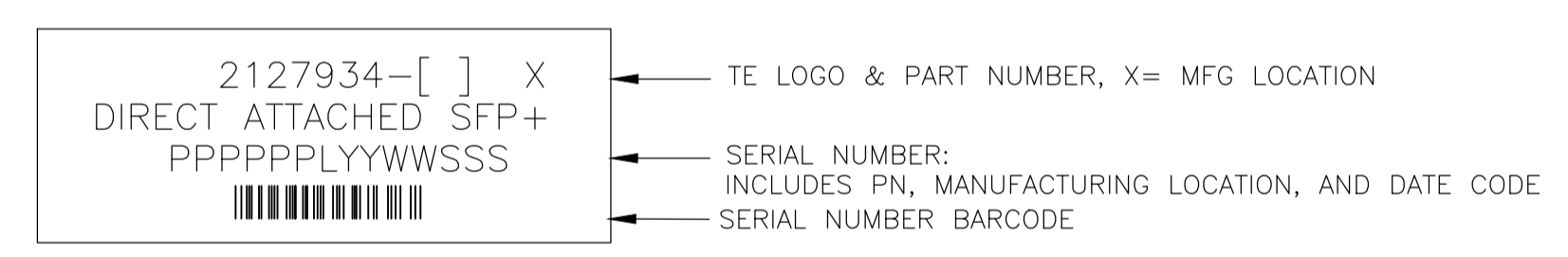


REVISIONS					
P	LTR	DESCRIPTION	DATE	OWN	APVD
E	REV PER ECO-20-005669		22APR2020	AK	GF

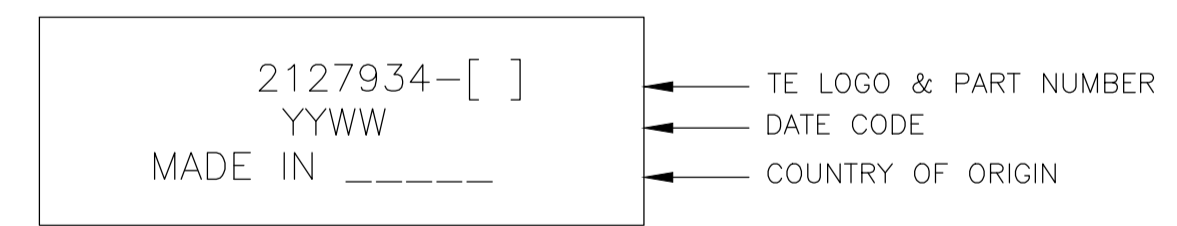


1. CHARACTERISTIC IMPEDANCE: 100±10 OHMS (MEASURED DIFFERENTIALLY).

2 LABEL INFORMATION:



3 LABEL INFORMATION:



4. SEE SHEET 2 FOR WIRING SCHEMATIC.

5. ROHS COMPLIANCE: PRODUCT AND PROCESSING MEETS REQUIREMENTS OF TE SPECIFICATION TEC-138-702.

6 NO LABEL REQUIRED ON CABLE FOR TE PN:1-2127934-8.

7	+0.1 -0	METERS	1-2127934-8
10	+0.12 -0	METERS	1-2127934-1
9	+0.1 -0	METERS	1-2127934-0
8	+0.1 -0	METERS	2127934-9
7	+0.1 -0	METERS	2127934-8
6	+0.1 -0	METERS	2127934-7
5	+0.1 -0	METERS	2127934-6
4	+0.08 -0	METERS	2127934-5
3	+0.08 -0	METERS	2127934-4
2	+0.08 -0	METERS	2127934-3
1	+0.05 -0	METERS	2127934-2
0.5	+0.05 -0	METERS	2127934-1
L			PART NO

THIS DRAWING IS A CONTROLLED DOCUMENT.

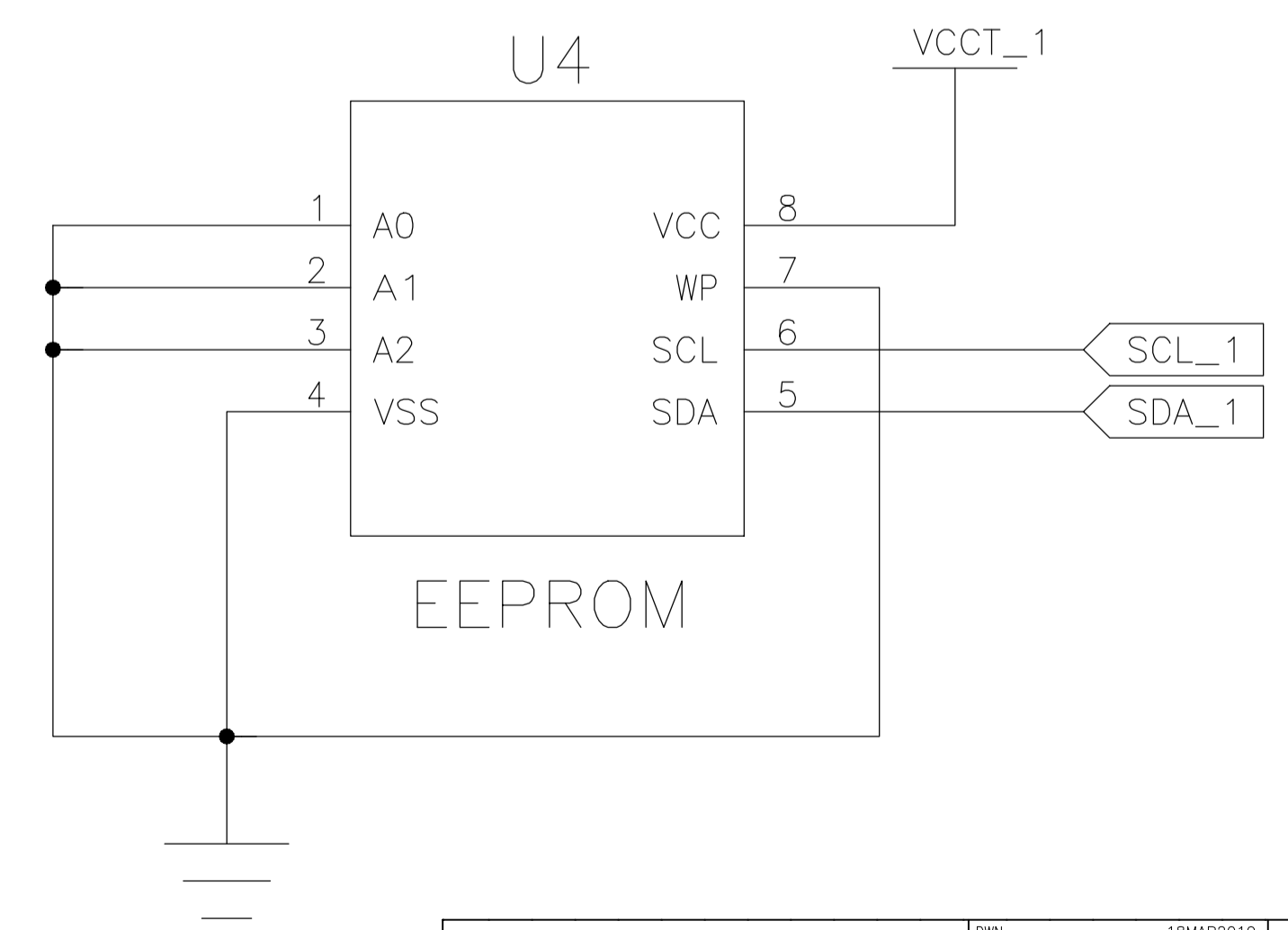
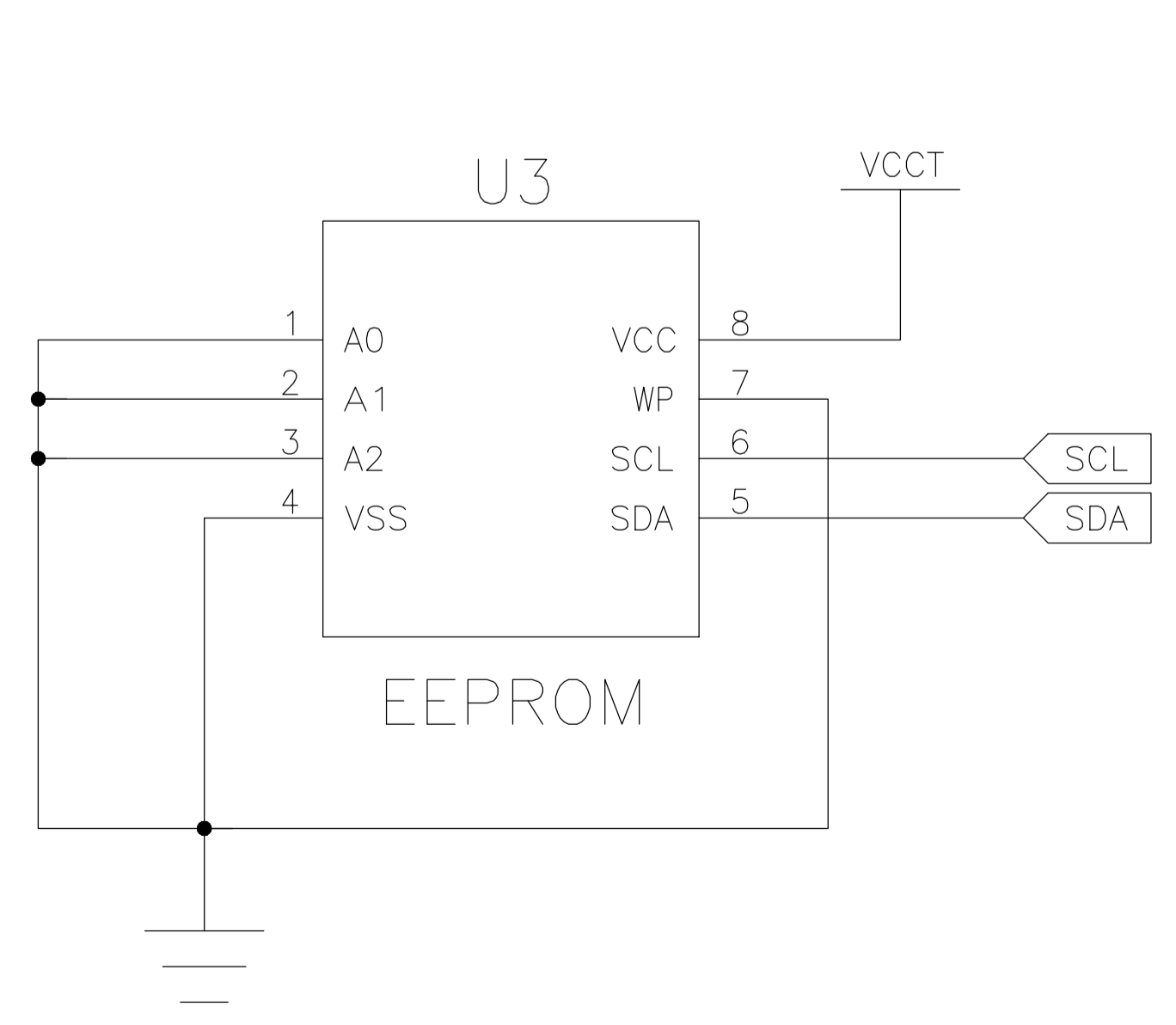
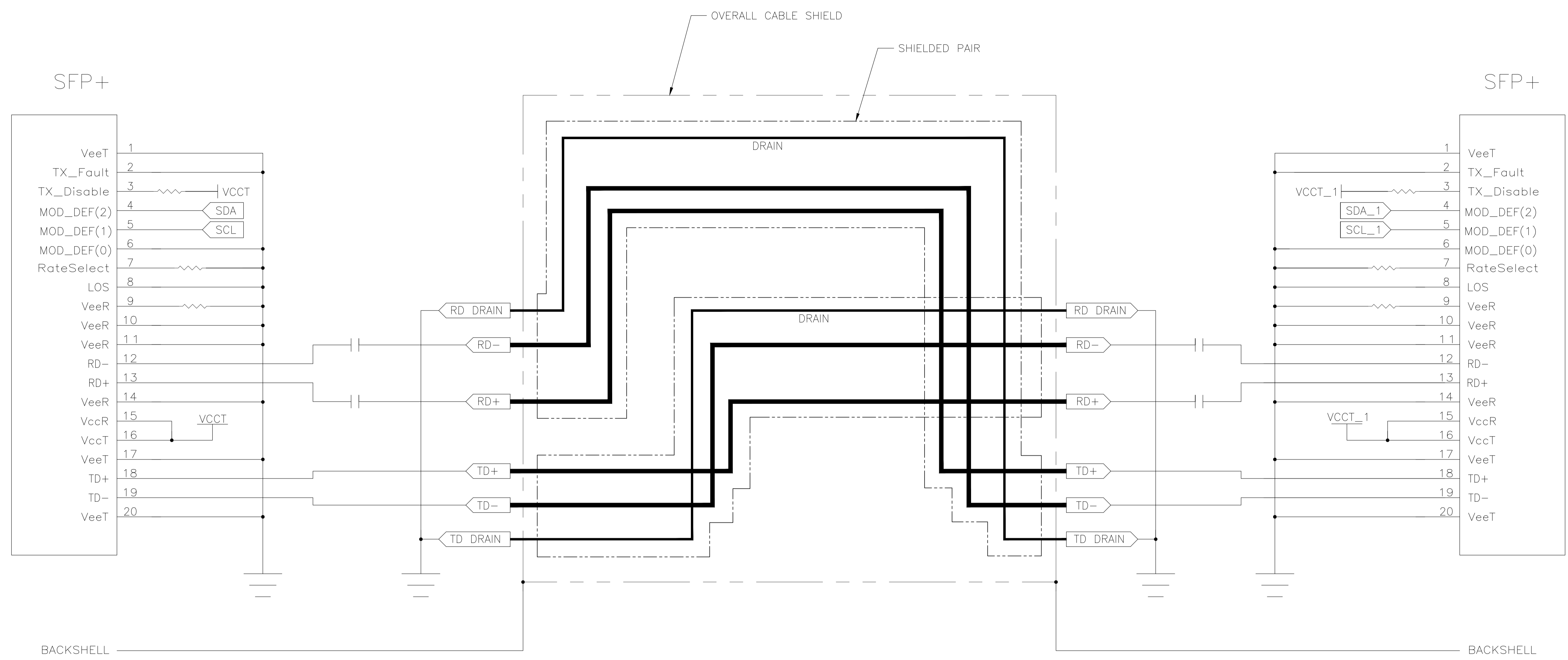
DIMENSIONS:	TOLERANCES UNLESS OTHERWISE SPECIFIED:	DIN	T. SMITH	18MAR2010
mm	0 PLC ± -	CHK	C. ADAMS	18MAR2010
	1 PLC ± -	APVD	C. ADAMS	18MAR2010
	2 PLC ± -	PRODUCT SPEC		
	3 PLC ± -	APPLICATION SPEC		
	4 PLC ± -	SIZE	CAGE CODE	DRAWING NO
	ANGLES ± -	WEIGHT	A1	00779
MATERIAL	FINISH	CUSTOMER DRAWING	SCALE 1:1 SHEET 1 OF 2 REV E	

TE Connectivity Ltd.

CABLE ASSY, 24 AWG, SFP+ TO SFP+ NI\_PLATED

2127934

REVISIONS					
P	LTR	DESCRIPTION	DATE	DWN	APVD
-	-	SEE SHEET 1	-	-	-



THIS DRAWING IS A CONTROLLED DOCUMENT.		DWN T.SMITH 18MAR2010	TE Connectivity Ltd.
DIMENSIONS: mm		CHK C.ADAMS 18MAR2010	
TOLERANCES UNLESS OTHERWISE SPECIFIED:		APVD C.ADAMS 18MAR2010	NAME CABLE ASSY,24 AWG,SFP+ TO SFP+ NI_PLATED
0. PLC ± -	1. PLC ± -	PRODUCT SPEC	APPLICATION SPEC
2. PLC ± -	3. PLC ± -	APPLICATION SPEC	RESTRICTED TO
4. PLC ± -	ANGLES ± -	WEIGHT	SIZE A1
MATERIAL	FINISH	CAGE CODE 00779	DRAWING NO. 2127934
CUSTOMER DRAWING		SCALE 1:1	SHEET 2 OF 2

## X-ON Electronics

Largest Supplier of Electrical and Electronic Components

*Click to view similar products for [Ethernet Cables / Networking Cables](#) category:*

*Click to view products by [TE Connectivity](#) manufacturer:*

Other Similar products are found below :

[73-6670-7](#) [73-6680-15](#) [73-7797-25](#) [MCJB2-10P6Q7-120](#) [84909-0204](#) [1200700174](#) [1200860368](#) [E16A06002M030](#) [E200102-009-S1](#)  
[AX105346-EW](#) [MT14-187L](#) [17-103530](#) [ERWPAB3002M005](#) [190-038045-01](#) [NK5EPC18RDY](#) [NK5EPC18VLY](#) [NK5EPC18YLY](#)  
[NK5EPC1GRY](#) [NK5EPC4Y](#) [NK5EPC6YLY](#) [NK5EPC8BLY](#) [NK5EPC9YLY](#) [1969343-6](#) [C501100010](#) [C501106002](#) [C501106007](#)  
[C501106015](#) [C501106025](#) [C601102010](#) [C601104010](#) [C601106007](#) [C601106015](#) [2142758-2](#) [2168427-2](#) [CAT1106007](#) [21949-1](#) [2J1866A](#)  
[RJF SFTP 5E 0500](#) [AX100351](#) [MN14CEC/ST](#) [C501100015](#) [C501106004](#) [C501106010](#) [C5F1108007](#) [C601104004](#) [C601106004](#)  
[CA21106004](#) [CA21106010](#) [CA21106015](#) [CA21109007](#)