

4

3

2

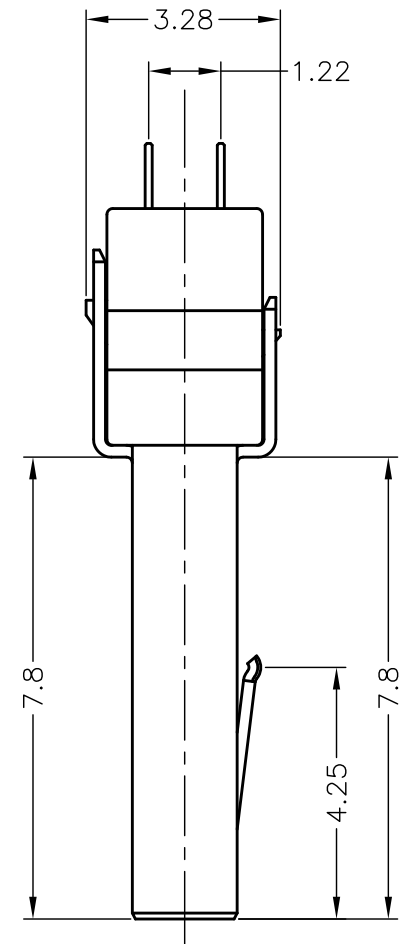
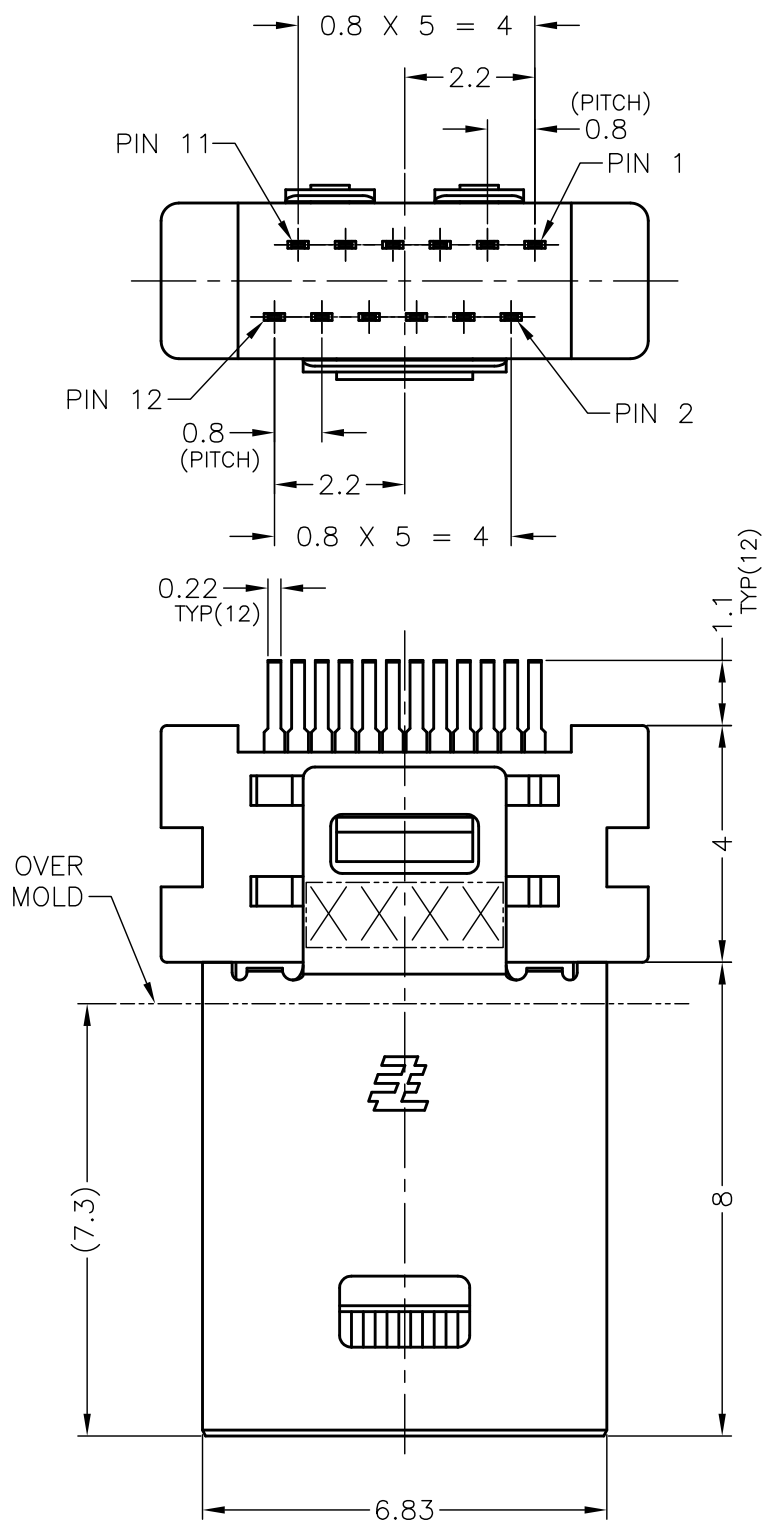
1

THIS DRAWING IS UNPUBLISHED. RELEASED FOR PUBLICATION
 © COPYRIGHT - By - ALL RIGHTS RESERVED.

LOC	DIST	REVISIONS					
DW		P	LTR	DESCRIPTION	DATE	DWN	APVD
		G1		REVISED (ECR-13-006596)	24APR2013	B.W	H.K

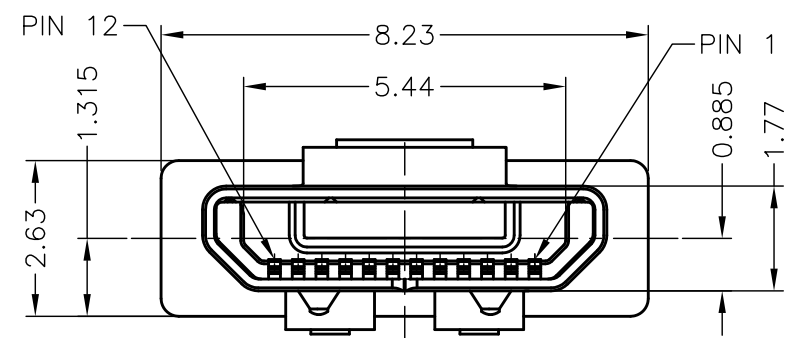
2129033-1: AS SHOWN

- 1. MATERIAL:
HOUSING: HIGH TEMPERATURE THERMOPLASTIC
UL94 V-0, COLOR: BLACK.
CONTACT: COPPER ALLOY.
SHELL: STAINLESS STEEL.
- 2. FINISH:
CONTACT: Ni UNDER PL Au PL.
SHELL: Ni PL OVERALL.
- 3. SOLDER RING GAP SHOULD BE MIN. 0.2mm.



REFERENCE PIN DEFINITION

PIN	CONTACT NO.	SIGNAL NAME
17	MICRO USB PIN 5	GND
16	MICRO USB PIN 4	ID
15	12P PIN 12	POWER GUN RETURN
14	12P PIN 11	POWER GUN RETURN
13	12P PIN 10	SIGNAL
12	12P PIN 9	SIGNAL
11	12P PIN 8	SIGNAL
10	12P PIN 7	SIGNAL
9	12P PIN 6	SIGNAL
8	12P PIN 5	SIGNAL
7	12P PIN 4	SIGNAL
6	12P PIN 3	SIGNAL
5	12P PIN 2	POWER
4	12P PIN 1	POWER
3	MICRO USB PIN 3	D+
2	MICRO USB PIN 2	D-
1	MICRO USB PIN 1	VBUS



THIS DRAWING IS A CONTROLLED DOCUMENT.		DWN	N. TSAI	05FEB10	 TE Connectivity			
DIMENSIONS: mm		CHK	M. CHAO	05FEB10				
TOLERANCES UNLESS OTHERWISE SPECIFIED:		APVD	H. KODAMA	05FEB10				
8 PLC ± 1 PLC ± ±0.2 2 PLC ± ±3° 3 PLC ± ± 4 PLC ± ± ANGLES ± ±		NAME		MICRO HYBRID I/O 5+12 THROUGH HOLE, PLUG ASSY				
MATERIAL	FINISH	PRODUCT SPEC	APPLICATION SPEC	WEIGHT	SIZE	CAGE CODE	DRAWING NO	RESTRICTED TO
1	2				A3	00779	2129033	
CUSTOMER DRAWING				SCALE	8:1	SHEET	1 OF 2	REV
								G1

4

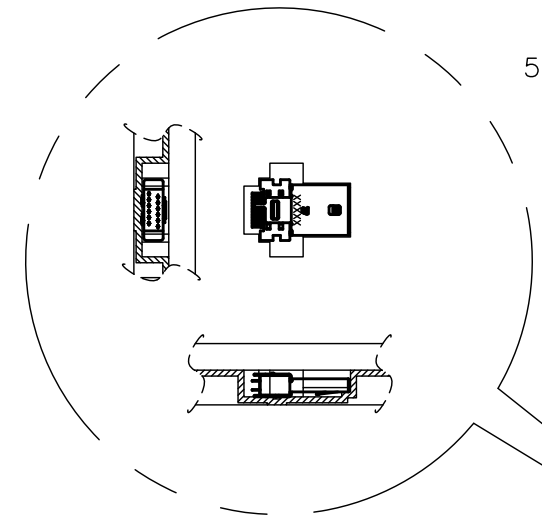
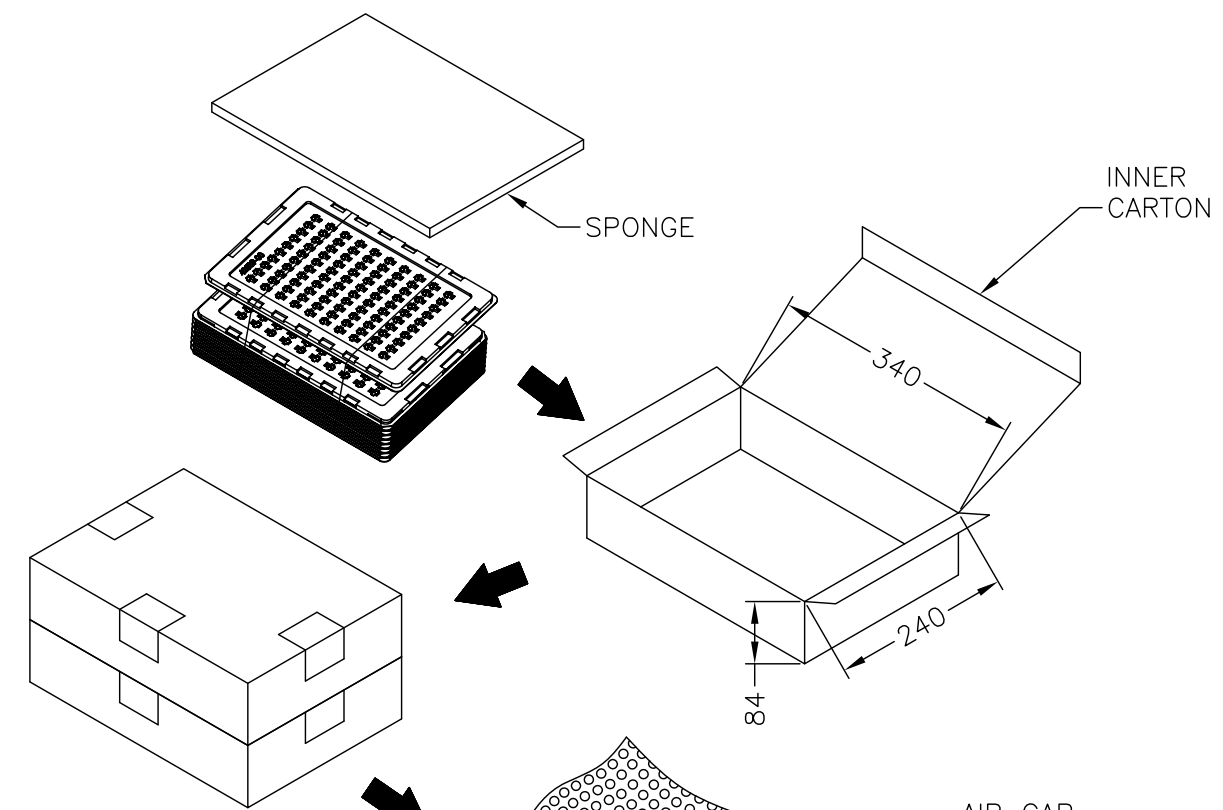
3

2

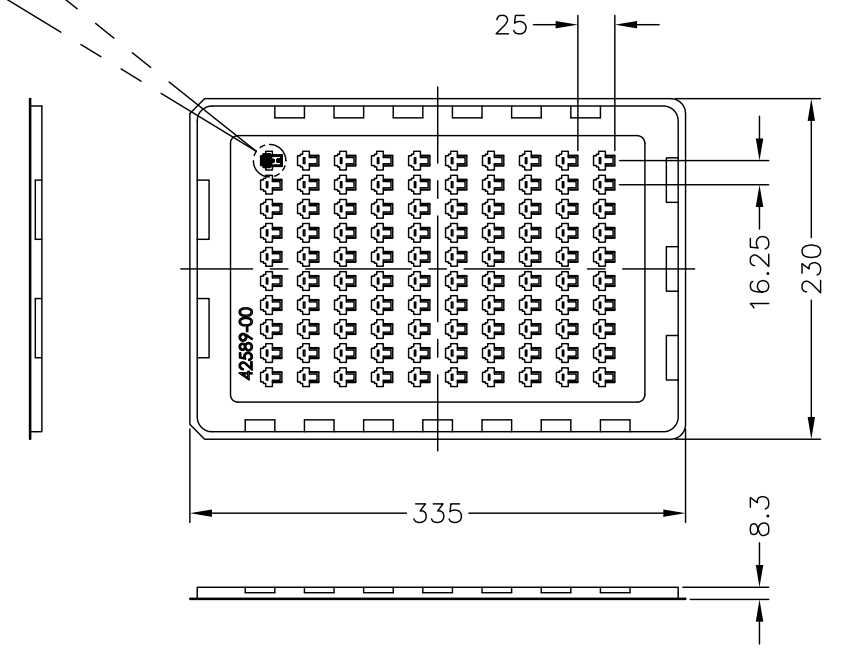
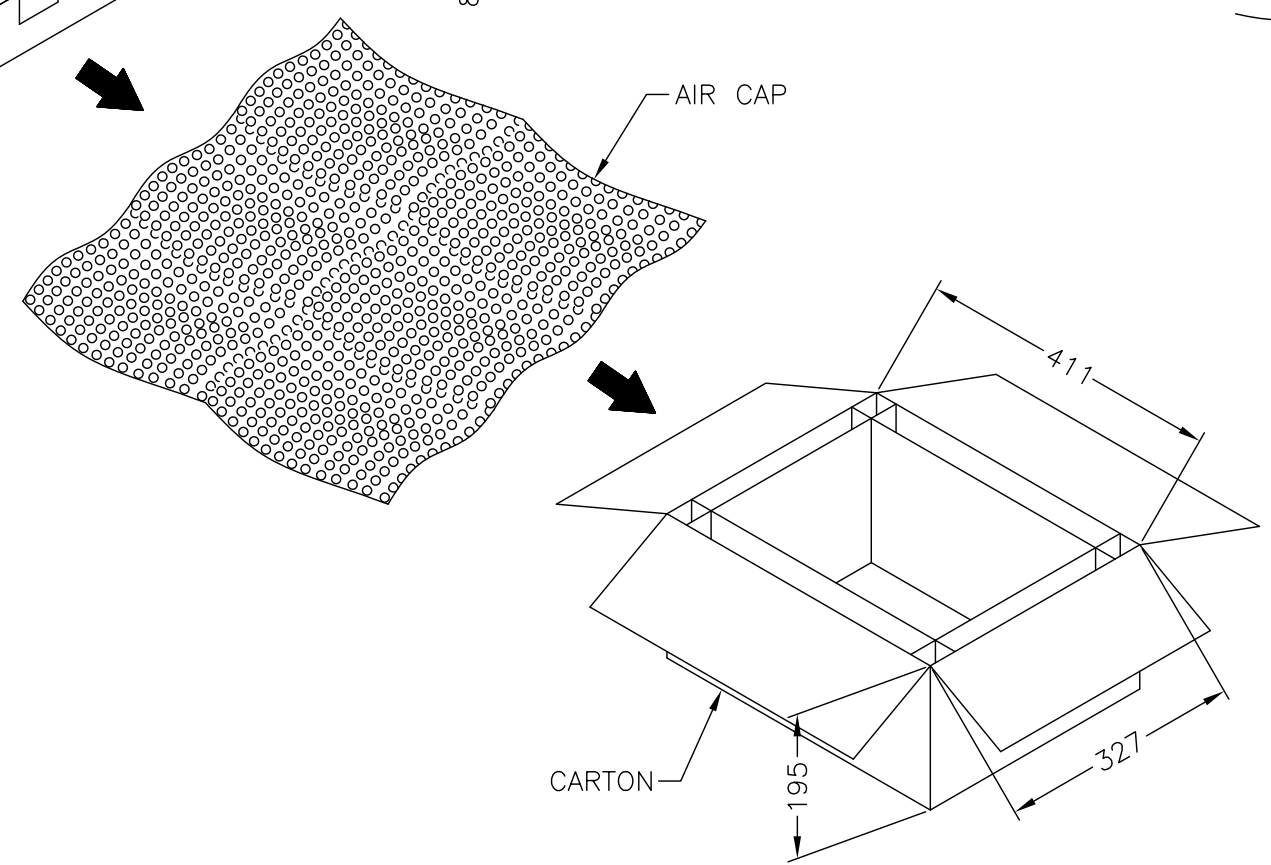
1

THIS DRAWING IS UNPUBLISHED. RELEASED FOR PUBLICATION
 © COPYRIGHT - By - ALL RIGHTS RESERVED.

LOC	DIST	REVISIONS			
P	LTR	DESCRIPTION	DATE	DWN	APVD
		SEE SHEET 1	-	-	-



- 4. PACKING MATERIAL:
 TRAY: PS, THICKNESS=0.8±0.05mm,
 COLOR: NATURAL.
- 5. NET WEIGHT: 1.856Kg,
 GROSS WEIGHT: 3.586Kg.



100	16	2	3200
PCS/TARY	TRAY/INNER BOX	INNER BOX/CARTON	TOTAL Q'TY

THIS DRAWING IS A CONTROLLED DOCUMENT.		DWN		TE Connectivity	
DIMENSIONS: mm		CHK			
TOLERANCES UNLESS OTHERWISE SPECIFIED:		APVD		NAME	
8 PLC ± 1 PLC ± ±1 2 PLC ± ±3 3 PLC ± ±3 4 PLC ± ± ANGLES ± ±		PRODUCT SPEC		MICRO HYBRID I/O 5+12 THROUGH HOLE, PLUG ASSY	
MATERIAL		APPLICATION SPEC		RESTRICTED TO	
FINISH		WEIGHT		SIZE CAGE CODE DRAWING NO	
		CUSTOMER DRAWING		A3 00779 C-2129033	
		SCALE		SHEET 2 OF 2 REV G1	

X-ON Electronics

Largest Supplier of Electrical and Electronic Components

Click to view similar products for te connectivity manufacturer:

Other Similar products are found below :

[570416-000](#) [CLTEQ-M81CE-SSRELAY-4-20V](#) [4-1633138-8](#) [D38999/24FJ4AN](#) [4-1195131-0](#) [650069-000](#) [SMD100-2](#) [2EDL4CM](#)
[DTS20W19-11PD-3028](#) [DTS20W19-11PD-3028-LC](#) [DTS20W19-32SD-3028-LC](#) [DTS20W19-32SD-3028](#) [NC6-P104-06](#) [TXR64AB90-](#)
[3616AI](#) [DTS26F21-41HE](#) [DTS26F21-41AE](#) [DTS26F21-41PE-LC](#) [DTS26F21-11SE-3028-LC](#) [D38999/24WF32JE](#) [D38999/24WF32SE-LC](#)
[DTS24W19-32HE](#) [D38999/20JB35HA](#) [D38999/24WJ20PA](#) [164-8033-08](#) [D38999/24FF32JE](#) [D38999/24FF32SE-LC](#) [D38999/24WF32JB](#)
[D38999/24WG11HA](#) [D38999/24WG11HN](#) [MS27467T21F11H](#) [DJT16E21-11HA](#) [DTS24F19-32HE](#) [1-532955-3](#) [DTS20W19-32SA-3028-LC](#)
[DTS24F19-11SC-3028-LC](#) [DTS24F19-11SC-3028](#) [DJT14E13-98HB](#) [D38999/20WC8BB](#) [1-330599-5](#) [DTS24F21-41HN-LC](#) [DTS24F21-](#)
[41HN](#) [DTS24F21-41AN](#) [DTS24F21-39HN](#) [DTS24F21-41PN-LC](#) [AFD50-10-6SN-1A-LC](#) [DJT10F17-26HC](#) [DTS24W19-32HB](#)
[ACT20JE99HA](#) [DJT10E17-26HC](#) [DJT10E17-26HN](#)