

4

3

2

1

© - TE Connectivity. All Rights Reserved.

REVISIONS

P	LTR	DESCRIPTION	DATE	DWN	APVD
	C2	PRODUCT DISCONTINUE	25MAY2020	EZ	WH

OBSOLETE

THIS DRAWING IS A CONTROLLED DOCUMENT.		DWN U.CHUANG 06AUG2010	STE TE Connectivity Ltd.																	
DIMENSIONS: mm		CHK V.PENG 06AUG2010																		
TOLERANCES UNLESS OTHERWISE SPECIFIED:		APVD W.KODAMA 06AUG2010	NAME RECEPTACLE ASSY SLIMLINE SATA PLUS																	
<table border="0"> <tr><td>0 PLC</td><td>±</td><td></td></tr> <tr><td>1 PLC</td><td>±</td><td>±0.25</td></tr> <tr><td>2 PLC</td><td>±</td><td>±3°</td></tr> <tr><td>3 PLC</td><td>±</td><td></td></tr> <tr><td>4 PLC</td><td>±</td><td></td></tr> <tr><td>ANGLES</td><td>±</td><td></td></tr> </table>		0 PLC			±		1 PLC	±	±0.25	2 PLC	±	±3°	3 PLC	±		4 PLC	±		ANGLES	±
0 PLC	±																			
1 PLC	±	±0.25																		
2 PLC	±	±3°																		
3 PLC	±																			
4 PLC	±																			
ANGLES	±																			
MATERIAL		APPLICATION SPEC	SIZE A3	CAGE CODE 00779	DRAWING NO C-2129116	RESTRICTED TO														
FINISH		WEIGHT	SCALE 4:1		SHEET 1 of 5	REV C2														
		CUSTOMER DRAWING																		

4

3

2

1

© - TE Connectivity. All Rights Reserved.

REVISIONS

P	LTR	DESCRIPTION	DATE	DWN	APVD
-	-	SEE SHEET 1	-	-	-

OBSOLETE

THIS DRAWING IS A CONTROLLED DOCUMENT.		DWN	TE Connectivity Ltd.		
DIMENSIONS: mm	TOLERANCES UNLESS OTHERWISE SPECIFIED:	CHK	NAME RECEPTACLE ASSY SLIMLINE SATA PLUS		
	0 PLC ± 1 PLC ± ±0.25 2 PLC ± ±3° 3 PLC ± 4 PLC ± ANGLES ±-	APVD			
MATERIAL	FINISH	PRODUCT SPEC	SIZE	CAGE CODE	DRAWING NO
		APPLICATION SPEC	A3	00779	C-2129116
		WEIGHT	RESTRICTED TO		
		CUSTOMER DRAWING	SCALE	SHEET	REV
			4:1	2 OF 5	C2

REVISIONS


P	LTR	DESCRIPTION	DATE	DWN	APVD
-	-	SEE SHEET 1	-	-	-

OBSOLETE

#18	HPD_PLUG DETECT		
#17	SMB_CLK		
#16	SMB_DATA		
#15	PERST#		
#14	WAKE#		
#13	CLKREQ#	P6	GND
#12	+5V	P5	GND
#11	GND	P4	MANUFACTURING DIAGNOSTIC
#10	PERX-	P3	+5V
#9	PERX+	P2	+5V
#8	GND	P1	DEVICE PRESENT
#7	GND	S7	GND
#6	PETX-	S6	B+
#5	PETX+	S5	B-
#4	GND	S4	GND
#3	REFCLK-	S3	A-
#2	REFCLK+	S2	A+
#1	GND	S1	GND
PIN	DESCRIPTION	PIN	DESCRIPTION

5.51g	5.37g	8.25	7.35	5.60	0.76µm	2-2129116-3		
						2-2129116-2		
4.68g	4.56g	6.90	6.00	4.25	0.76µm	2-2129116-1		
						1-2129116-3		
						1-2129116-2		
						1-2129116-1		
5.51g	5.37g	8.25	7.35	5.60	G/F	2129116-3		
						2129116-2		
4.68g	4.56g	6.90	6.00	4.25	G/F	2129116-1		
△9	NET WEIGHT	△8	NET WEIGHT	T	L	H	CONTACT AU PLATING	PART NUMBER

THIS DRAWING IS A CONTROLLED DOCUMENT.

DIMENSIONS: mm	TOLERANCES UNLESS OTHERWISE SPECIFIED: 8 PLC ± 1 PLC ± ±0.25 2 PLC ± ±3 3 PLC ± ± 4 PLC ± ± ANGLES ±	DWN CHK APVD PRODUCT SPEC APPLICATION SPEC WEIGHT	 TE Connectivity Ltd.	
MATERIAL	FINISH	CUSTOMER DRAWING	NAME RECEPTACLE ASSY SLIMLINE SATA PLUS	
		SIZE A3	CAGE CODE 00779	DRAWING NO C-2129116
		SCALE 5:1	SHEET 3 of 5	REV C2

4

3

2

1

© - TE Connectivity. All Rights Reserved.

REVISIONS				
P	LTR	DESCRIPTION	DATE	APVD
-	-	SEE SHEET 1	-	-

OBSOLETE

THIS DRAWING IS A CONTROLLED DOCUMENT.		DWN	TE Connectivity Ltd.	
DIMENSIONS: mm	TOLERANCES UNLESS OTHERWISE SPECIFIED:	CHK	NAME RECEPTACLE ASSY SLIMLINE SATA PLUS	
	 0 PLC ± 1 PLC ± ±0.05 2 PLC ± ±1° 3 PLC ± 4 PLC ± ANGLES ± FINISH 	APVD		
MATERIAL		PRODUCT SPEC	SIZE	CAGE CODE
		APPLICATION SPEC	DRAWING NO	
		WEIGHT	A3 00779 C-2129116	
		CUSTOMER DRAWING	SCALE	SHEET
			8:1	4 of 5
				REV
				C2

4

3

2

1

© - TE Connectivity. All Rights Reserved.

REVISIONS

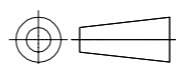
P	LTR	DESCRIPTION	DATE	DWN	APVD
-	-	SEE SHEET 1	-	-	-

OBSOLETE

750	250	5.75	11.15	2-2129116-3
				2-2129116-2
900	300	4.4	9.8	2-2129116-1
750	250	5.75	11.15	2129116-3
				2129116-2
900	300	4.4	9.8	2129116-1
PCS/BOX	PCS/REEL	DIM R	DIM S	PART NUMBER

THIS DRAWING IS A CONTROLLED DOCUMENT.

DIMENSIONS:
mm



TOLERANCES UNLESS OTHERWISE SPECIFIED:

- 8 PLC ±
- 1 PLC ± ±0.5
- 2 PLC ± ±3°
- 3 PLC ±
- 4 PLC ±
- ANGLES ±
- FINISH

MATERIAL

DWN	-
CHK	-
APVD	-
PRODUCT SPEC	-
APPLICATION SPEC	-
WEIGHT	-
CUSTOMER DRAWING	-

STE TE Connectivity Ltd.

NAME				RECEPTACLE ASSY SLIMLINE SATA PLUS	
SIZE	CAGE CODE	DRAWING NO	RESTRICTED TO		
A3	00779	C-2129116	-		
SCALE		SHEET	REV		
FREE		5 of 5	C2		

X-ON Electronics

Largest Supplier of Electrical and Electronic Components

Click to view similar products for [I/O Connectors](#) category:

Click to view products by [TE Connectivity](#) manufacturer:

Other Similar products are found below :

[571763P](#) [58098-0628](#) [D20419-211](#) [D38999/20FJ24PA L/C](#) [D38999/20FJ29SB L/C](#) [D38999/24FG11SN L/C](#) [72.250.1628.2](#) [72.250.2428.2](#)
[74720-0505](#) [76.350.0729.0](#) [76871-1403](#) [FCN-244F080-G/1](#) [FCN-260A9920](#) [FCN-268D024-G/2F#10X-R10](#) [PCS-E50FA](#) [PCS-XE26LKA](#)
[PCS-XE26MA+](#) [PCS-XES68MS+](#) [G38A71314B](#) [DX40-50P\(55\)](#) [1571250010](#) [157-22500-3](#) [MS3471L14-19P L/C](#) [1888020-8](#) [91-569786-](#)
[35H](#) [91-569786-35M](#) [91-644626-35P](#) [SM3100F14S-58S](#) [172501-4002](#) [172501-6002](#) [FCN-260C008-A/L0](#) [FCN-260C024-AL0](#) [FCN-](#)
[261Z008](#) [FCN-268D008-G/1K](#) [2000314-1](#) [200331-1](#) [2007498-2](#) [PCR-E28LMDAG1+](#) [PCR-E36FC+](#) [PCS-E28FS+](#) [PCS-XE26SLFD+](#) [PCS-](#)
[XE26SLFDT+](#) [G38A71214B](#) [HDRA-E68W1LFDTC-SL+](#) [HDR-E14MSG1+](#) [R88A-CNK81S](#) [CRT1-ATT02](#) [54182-0605](#) [U90B2054081210](#)
[UE86K842720321](#)