

4

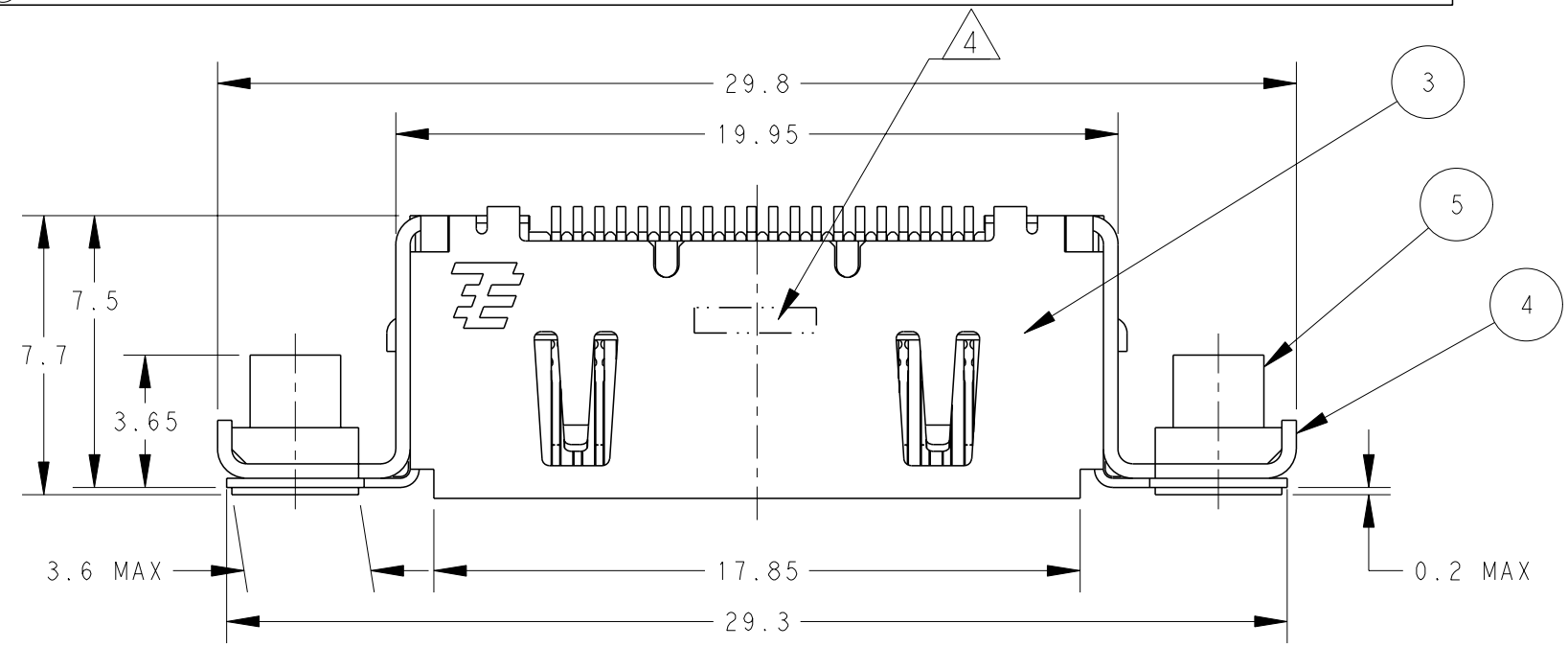
3

2

1

THIS DRAWING IS UNPUBLISHED. RELEASED FOR PUBLICATION 20
 © COPYRIGHT 20 BY - ALL RIGHTS RESERVED.

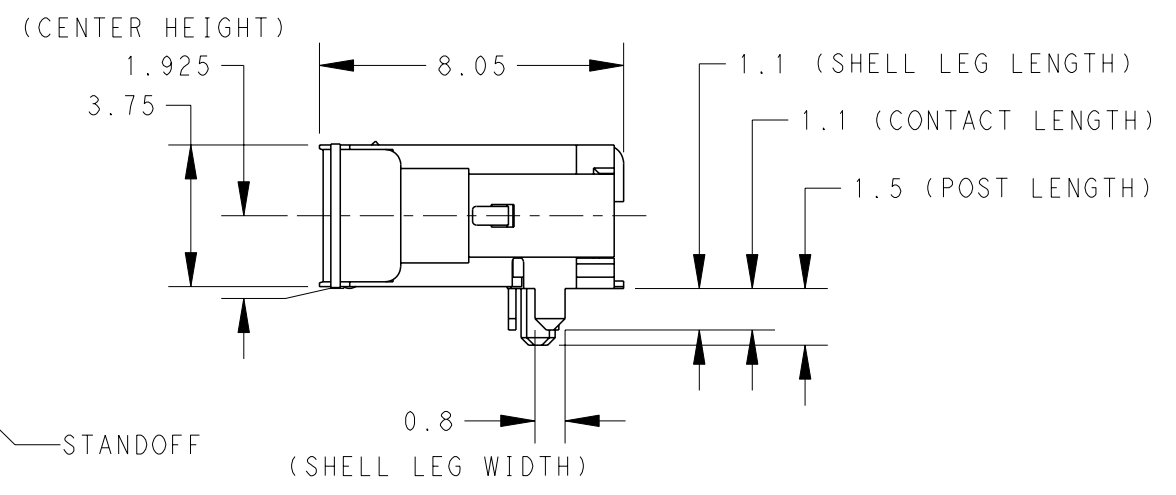
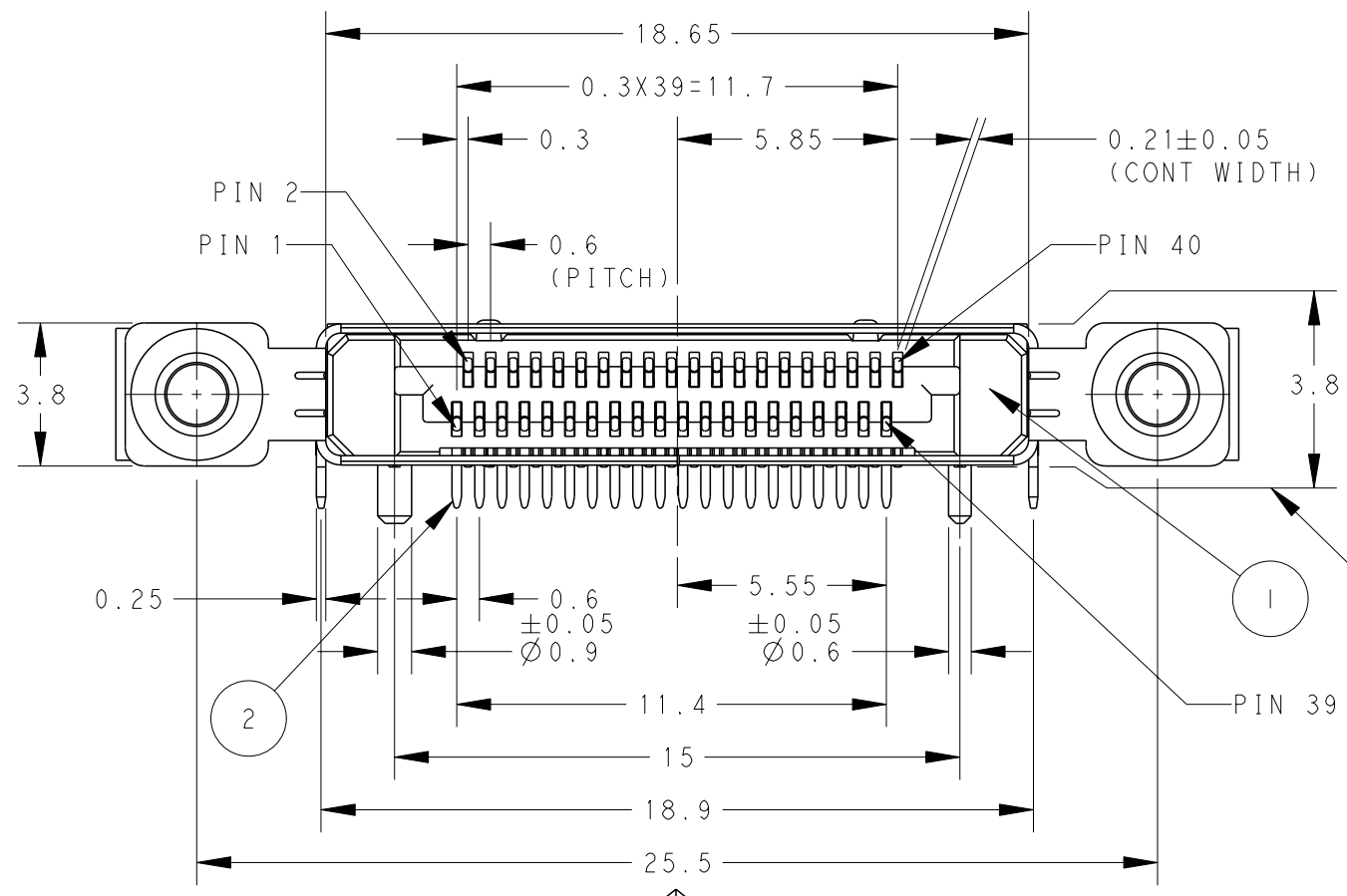
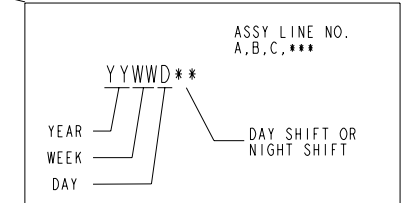
| LOC | DIST | REVISIONS | | | |
|-----|------|-------------|-------------------------|-----------|---------|
| P | LTR | DESCRIPTION | DATE | DWN | APVD |
| DW | | B | REVISED (ECR-11-013643) | 30JUN2011 | T.K H.K |



2129260-1; AS SHOWN

- ① MATERIAL: HOUSING: THERMO-PLASTIC(UL94V-0, BLACK).
CONTACT: COPPER ALLOY.
SHELL: STAINLESS STEEL.
BRACKET: STAINLESS STEEL.
BUSH: STEEL.
- ② FINISH:
CONTACT: ALL OVER 2um MIN. Ni UNDER PLATING.
0.38um MIN. Au PLATING ON CONTACT AREA.
1~3um Tin PLATING ON TINE AREA.
SHELL: ALL OVER 1.3um MIN. Ni UNDER PLATING.
BUSH: ALL OVER 3um MIN. Ni UNDER PLATING.
- 3. LOW HALOGEN SPECIFICATION
CHLORINE(CI) : 900 ppm MAX.
BROMINE(Br) : 900 ppm MAX.
- ④ DATE CODE

WITH NUT

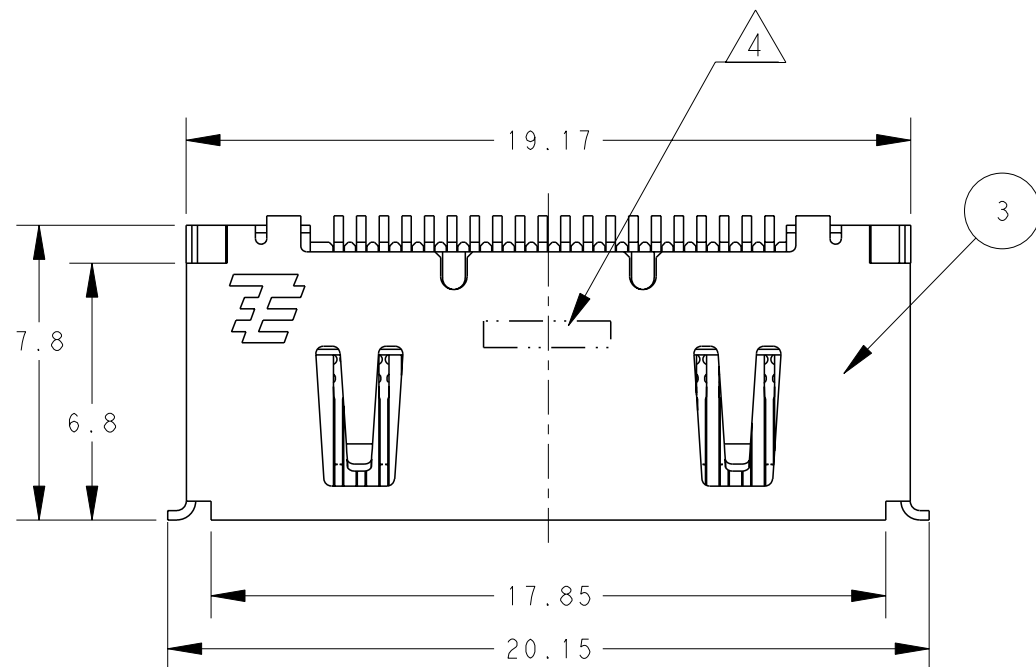


| Q'TY | NAME | ITEM |
|------|-----------|------|
| 2 | BUSH (M2) | ⑤ |
| 2 | BRACKET | ④ |
| 1 | SHELL | ③ |
| 40 | CONTACT | ② |
| 1 | HOUSING | ① |

VIEW A

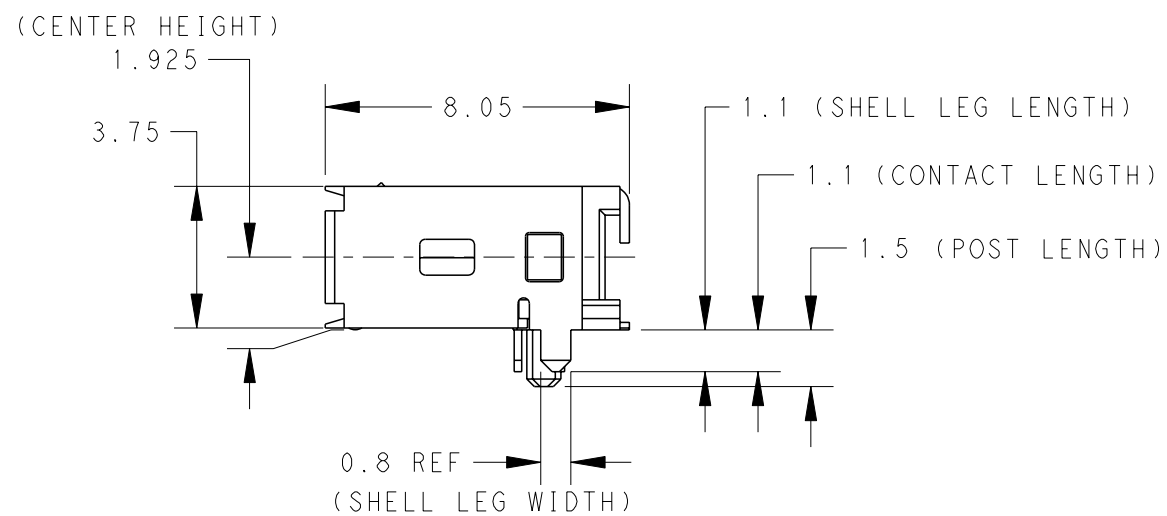
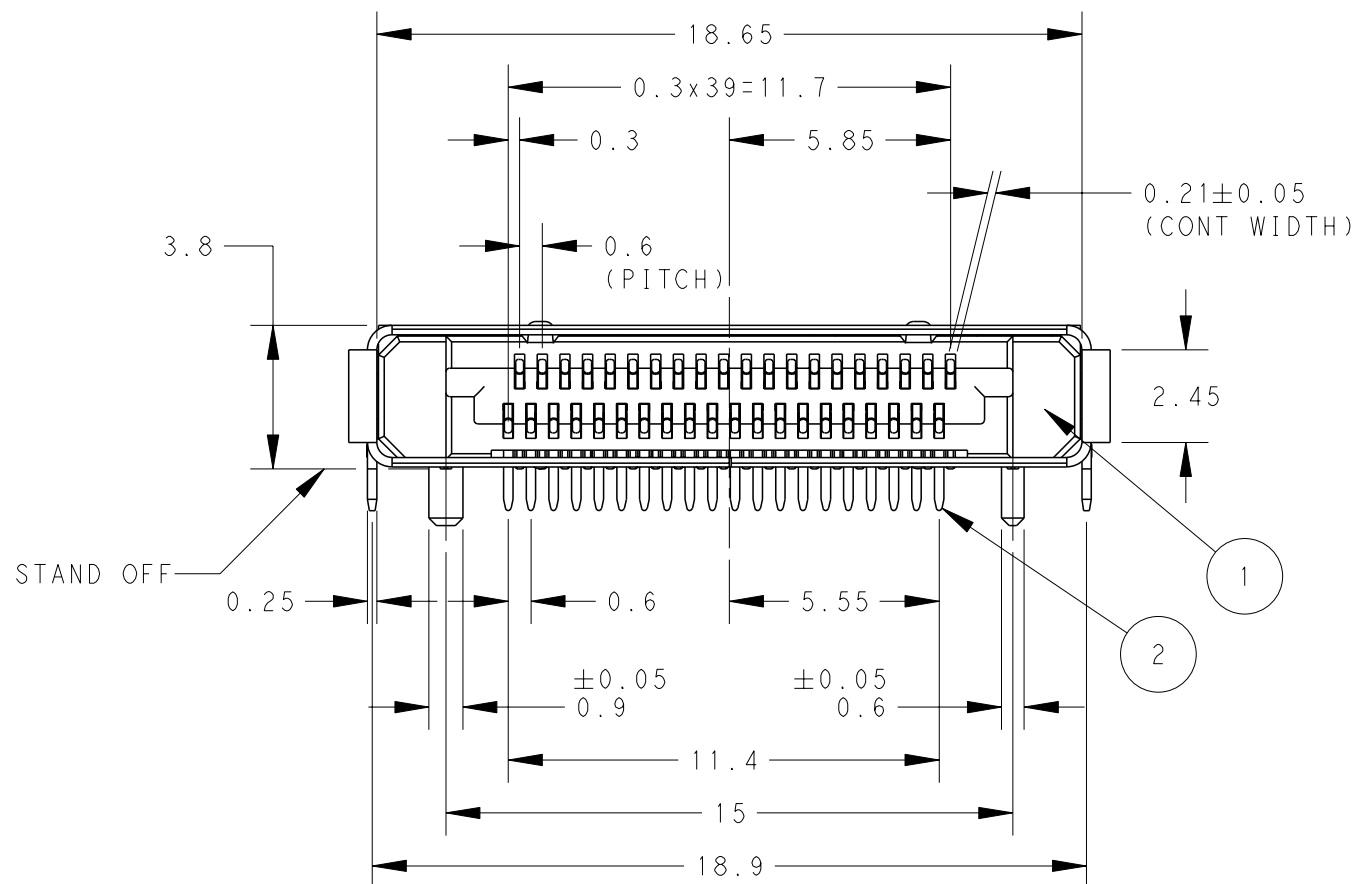
| | | | | |
|---|--|-------------------------|--|--|
| THIS DRAWING IS A CONTROLLED DOCUMENT. | | DWN T.KUO 31MAR2011 | TE Connectivity | |
| DIMENSIONS: mm | | CHK V.PENG 31MAR2011 | | |
| TOLERANCES UNLESS OTHERWISE SPECIFIED: | | APVD H.KODAMA 31MAR2011 | NAME RECEPTACLE ASSY, 0.6mm PITCH CHAMP DOCKING CONNECTOR, 40POS | |
| 0 PLC ±- ±0.25 1 PLC ±- ±0.25 2 PLC ±- ±0.25 3 PLC ±- ±3° 4 PLC ±- ±- ANGLES ±- ±- | | PRODUCT SPEC 108-99033 | SIZE A3 CAGE CODE 00779 DRAWING NO C-2129260 | |
| MATERIAL ① | | FINISH ② | RESTRICTED TO | |
| | | WEIGHT 1.39g | SCALE 5:1 SHEET 1 OF 6 REV B | |
| | | CUSTOMER DRAWING | | |

| P | LTR | DESCRIPTION | DATE | DWN | APVD |
|---|-----|-------------|------|-----|------|
| | | SEE SHEET 1 | | | |



2129260-2; AS SHOWN

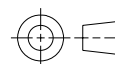
WITHOUT NUT



| Q'TY | NAME | ITEM |
|------|---------|------|
| 1 | SHELL | ③ |
| 40 | CONTACT | ② |
| 1 | HOUSING | ① |

THIS DRAWING IS A CONTROLLED DOCUMENT.

DIMENSIONS:
mm



TOLERANCES UNLESS OTHERWISE SPECIFIED:

| | | |
|--------|---|-------|
| 0 PLC | ± | ±0.25 |
| 1 PLC | ± | ±0.25 |
| 2 PLC | ± | ±0.25 |
| 3 PLC | ± | ±0.25 |
| 4 PLC | ± | ±0.25 |
| ANGLES | ± | ±3° |
| FINISH | - | - |

MATERIAL

| | |
|------------------|-------|
| DWN | - |
| CHK | - |
| APVD | - |
| PRODUCT SPEC | - |
| APPLICATION SPEC | - |
| WEIGHT | 0.87g |
| CUSTOMER DRAWING | - |



NAME
RECEPTACLE ASSY, 0.6mm PITCH
CHAMP DOCKING CONNECTOR, 40POS

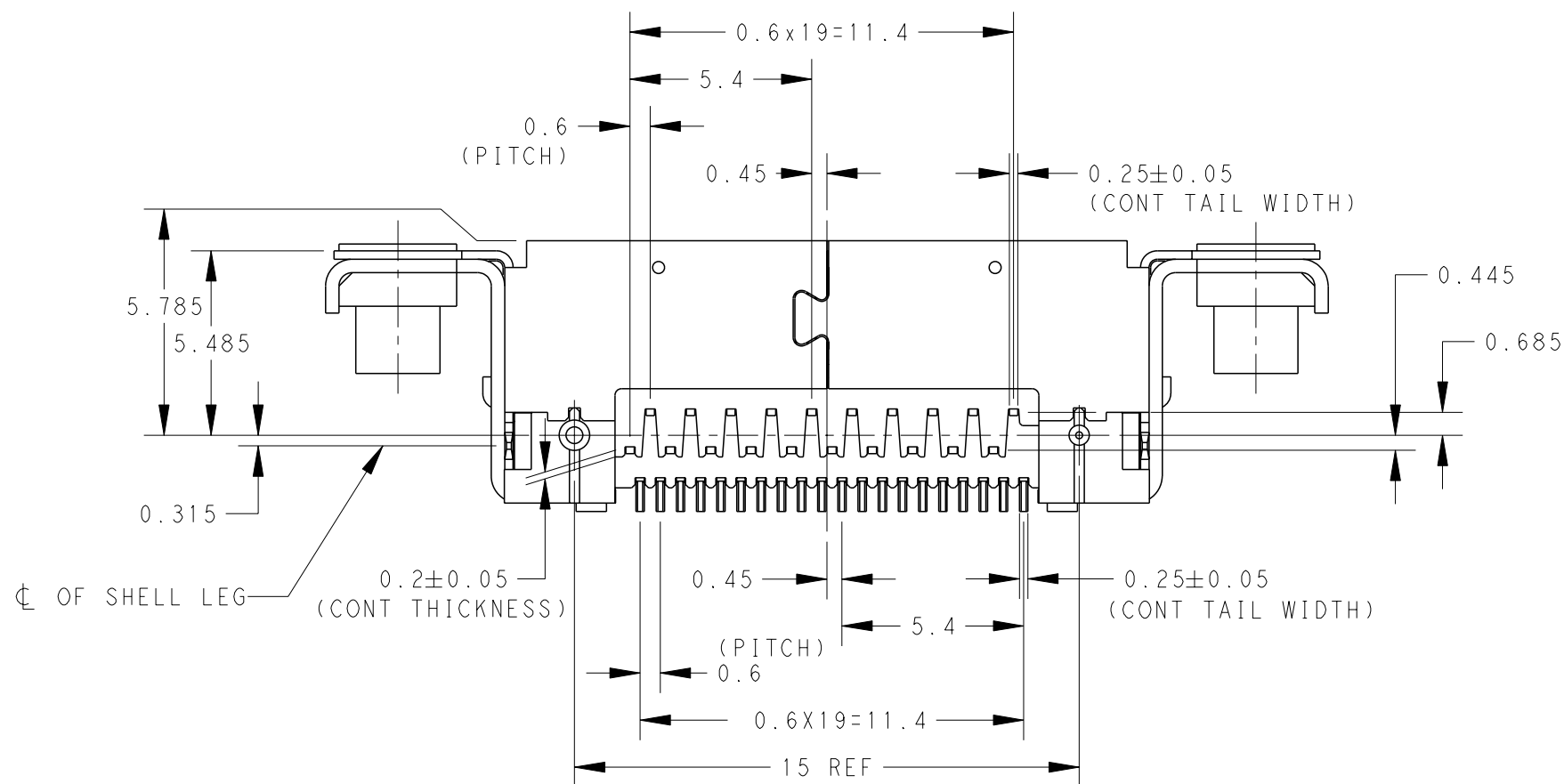
| SIZE | CAGE CODE | DRAWING NO | RESTRICTED TO |
|-------|-----------|--------------|---------------|
| A3 | 00779 | C=2129260 | - |
| SCALE | 5:1 | SHEET 2 OF 6 | REV B |

LOC
DW

DIST

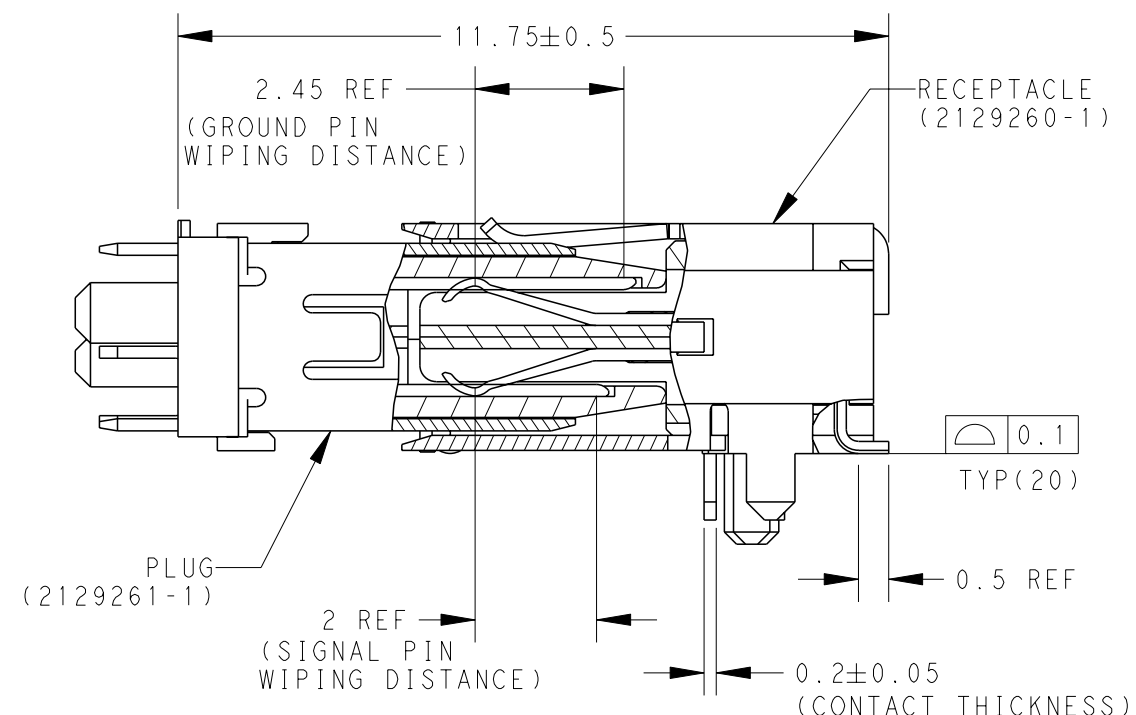
REVISIONS

| P | LTR | DESCRIPTION | DATE | DWN | APVD |
|---|-----|-------------|------|-----|------|
| | | SEE SHEET 1 | | | |



VIEW A

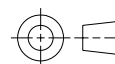
2129260-2 IS SAME AS 2129260-1



MATING CONDITION

THIS DRAWING IS A CONTROLLED DOCUMENT.

DIMENSIONS:
mm



TOLERANCES UNLESS OTHERWISE SPECIFIED:

- 0 PLC ±
- 1 PLC ± ±0.25
- 2 PLC ± ±3°
- 3 PLC ±
- 4 PLC ±
- ANGLES ±
- FINISH -

MATERIAL

| | |
|------------------|---|
| DWN | - |
| CHK | - |
| APVD | - |
| PRODUCT SPEC | - |
| APPLICATION SPEC | - |
| WEIGHT | - |



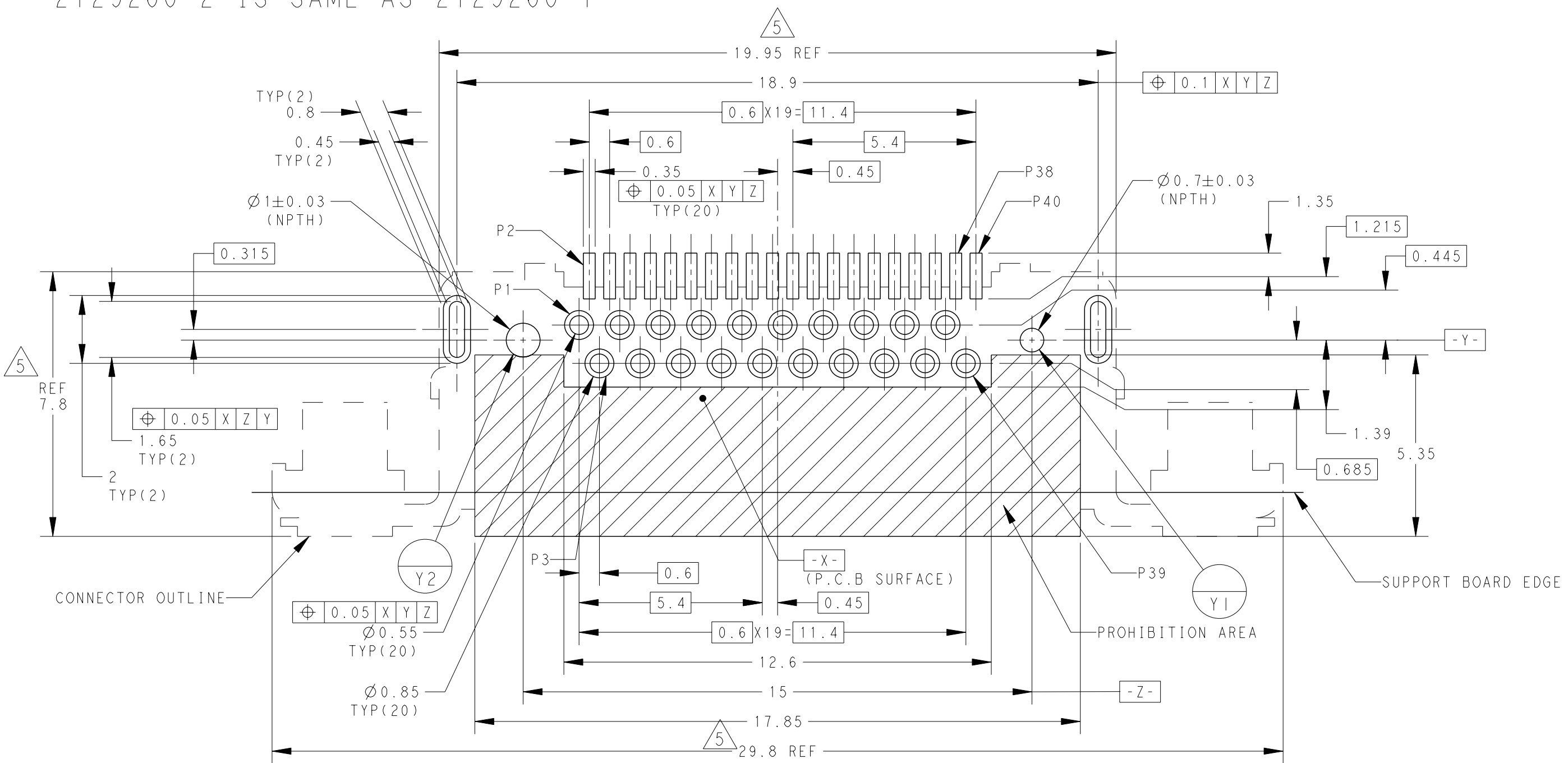
NAME
RECEPTACLE ASSY, 0.6mm PITCH
CHAMP DOCKING CONNECTOR, 40POS

| | | | |
|------|-----------|------------|---------------|
| SIZE | CAGE CODE | DRAWING NO | RESTRICTED TO |
| A3 | 00779 | C=2129260 | - |

THIS DRAWING IS UNPUBLISHED. RELEASED FOR PUBLICATION 20
 © COPYRIGHT 20 BY - ALL RIGHTS RESERVED.

| LOC | DIST | REVISIONS | | | |
|-----|------|-------------|------|-----|------|
| P | LTR | DESCRIPTION | DATE | DWN | APVD |
| DW | | SEE SHEET 1 | | | |

2129260-2 IS SAME AS 2129260-1



RECOMMENDED P.C. BOARD LAYOUT (TOP VIEW)

5 CONNECTOR OUTLINE
 6 SUPPORT BOARD EDGE

| | | | | | |
|---|--|------------------|--|--|--|
| THIS DRAWING IS A CONTROLLED DOCUMENT. | | DWN | | TE Connectivity | |
| DIMENSIONS: mm | | CHK | | | |
| TOLERANCES UNLESS OTHERWISE SPECIFIED: | | APVD | | NAME | |
| 0 PLC ±- 1 PLC ±- ±0.05 2 PLC ±- ±0.05 3 PLC ±- ±3° 4 PLC ±- ANGLES ±- FINISH - | | PRODUCT SPEC | | RECEPTACLE ASSY, 0.6mm PITCH CHAMP DOCKING CONNECTOR, 40POS | |
| MATERIAL - | | APPLICATION SPEC | | SIZE CAGE CODE DRAWING NO RESTRICTED TO | |
| | | WEIGHT | | A300779 C=2129260 | |
| | | CUSTOMER DRAWING | | SCALE 8:1 SHEET 4 OF 6 REV B | |

4

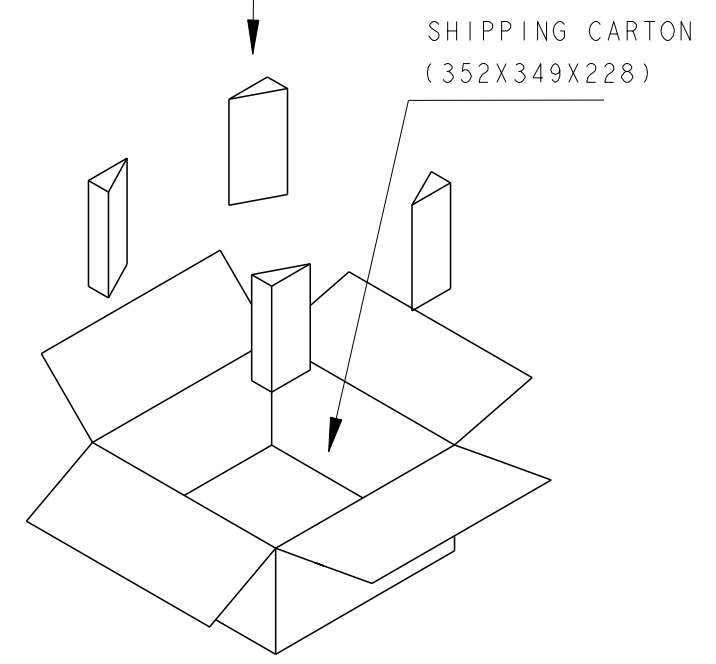
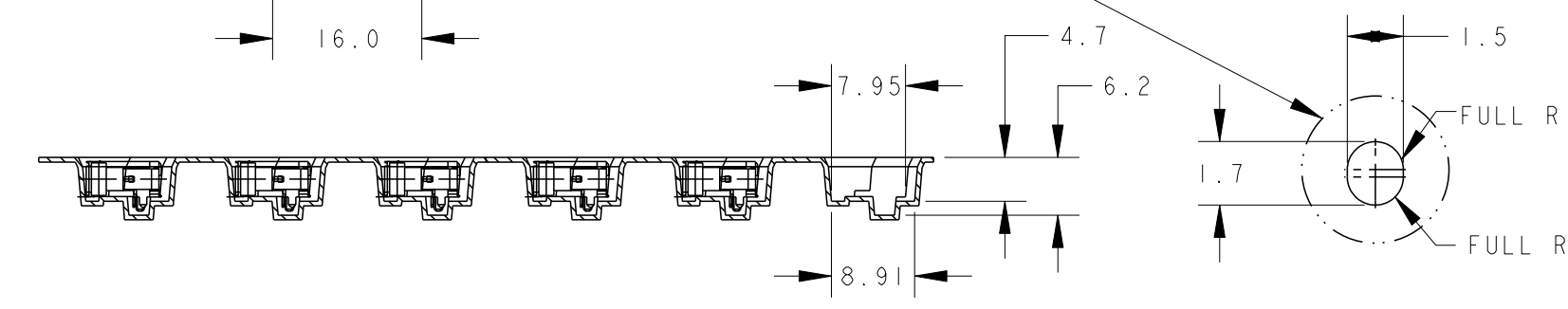
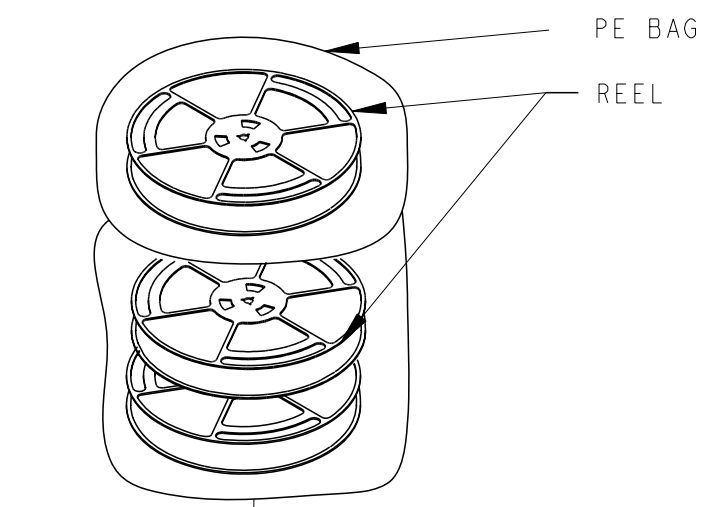
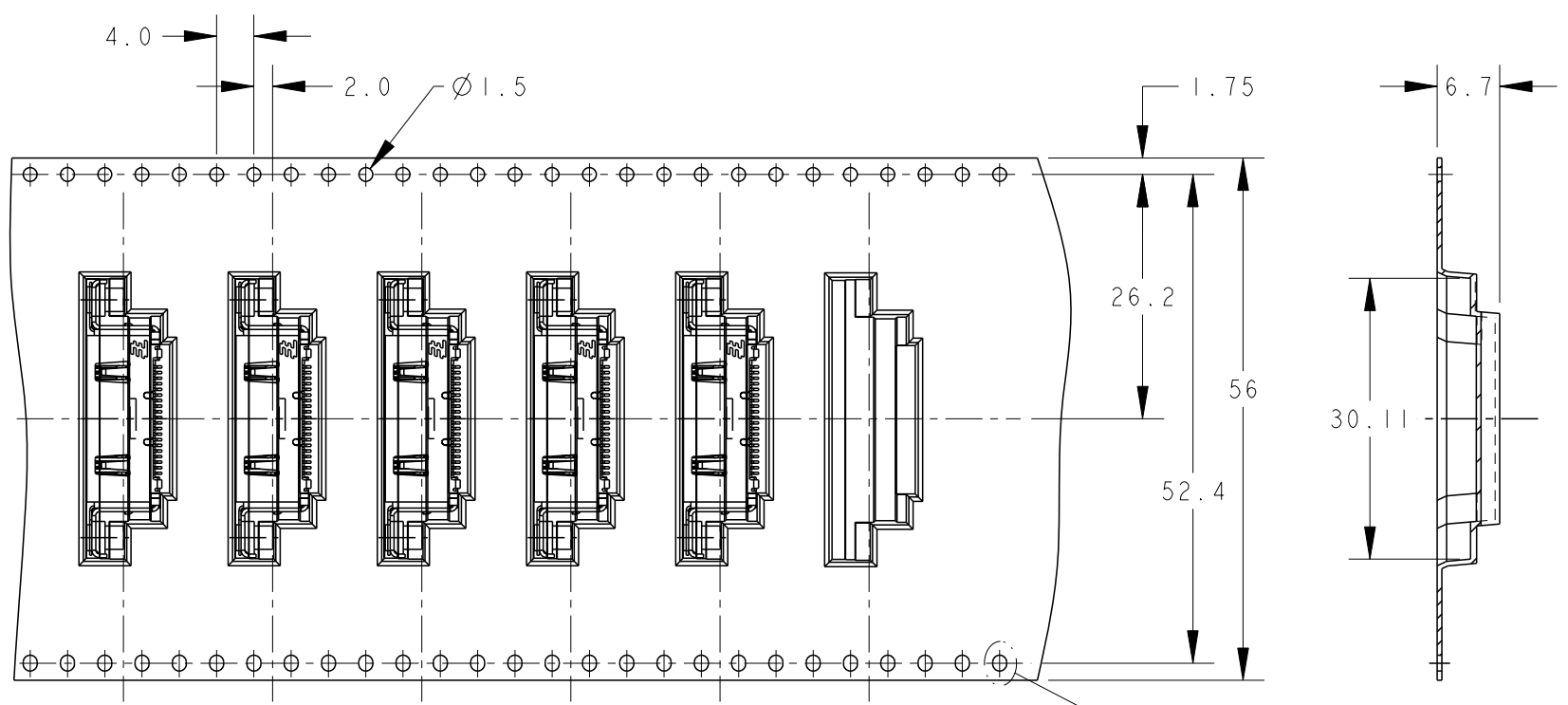
3

2

1

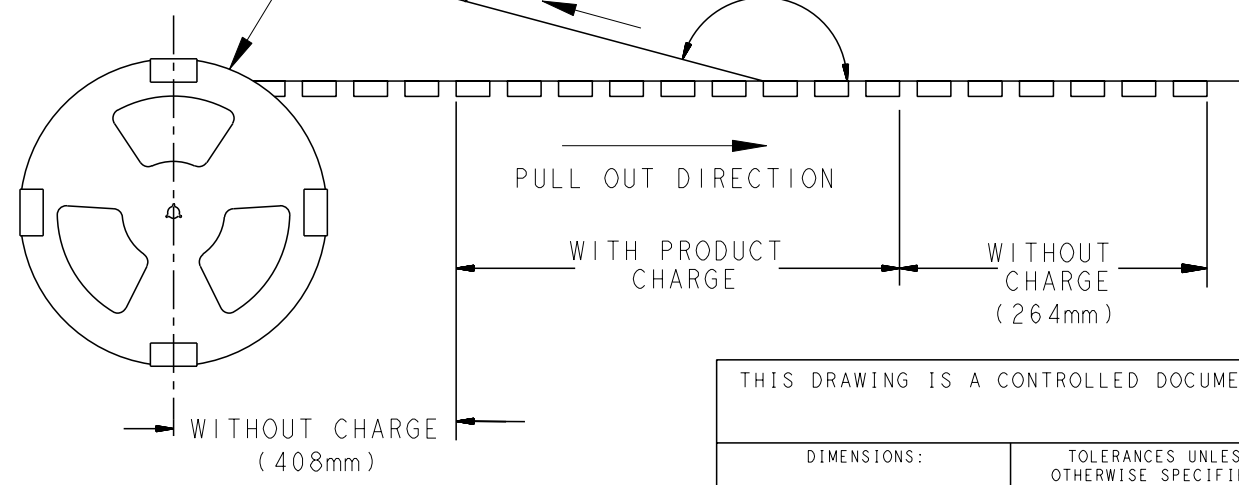
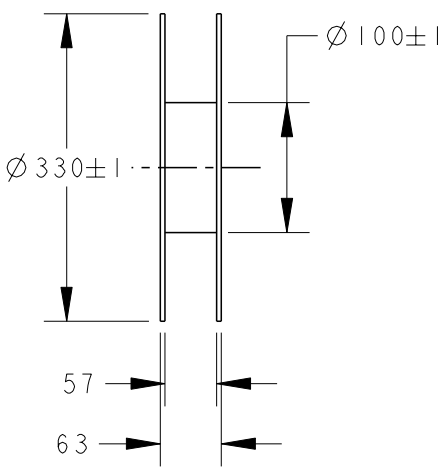
THIS DRAWING IS UNPUBLISHED. RELEASED FOR PUBLICATION 20
 © COPYRIGHT 20 BY - ALL RIGHTS RESERVED.

| LOC | | DIST | | REVISIONS | | | |
|-----|--|------|-----|-------------|------|-----|------|
| DW | | P | LTR | DESCRIPTION | DATE | DWN | APVD |
| | | | | SEE SHEET 1 | | | |



AROUND THE OUTER PERIPHERY IN A TURN.
WEEDING THE COVER TAPE

PEELING ANGLE: 165°~180°



7. PACKING MATERIAL:
 CARRY TAPE: PS; COLOR:BLACK.
 COVER TAPE: PET; COLOR: CLEAR.
 PEELING STRENGTH OF COVER TAPE: 0.2N~1.2N

| 2129260-1 | 600 | 3 | 1800 |
|-----------|----------|--------------|----------------|
| P/N | PCS/TAPE | REELS/CARTON | TOTAL QUANTITY |

| | |
|--|--|
| THIS DRAWING IS A CONTROLLED DOCUMENT. | |
| DIMENSIONS: mm | TOLERANCES UNLESS OTHERWISE SPECIFIED: 0 PLC ± 1 PLC ± 2 PLC ± ±0.5 3 PLC ± ±3° 4 PLC ± ANGLES ± FINISH - |
| MATERIAL - | |

| | |
|------------------|---|
| DWN | - |
| CHK | - |
| APVD | - |
| PRODUCT SPEC | - |
| APPLICATION SPEC | - |
| WEIGHT | - |
| CUSTOMER DRAWING | |

STE TE Connectivity

NAME: RECEPTACLE ASSY, 0.6mm PITCH CHAMP DOCKING CONNECTOR, 40POS

| | | | |
|------|-----------|------------|---------------|
| SIZE | CAGE CODE | DRAWING NO | RESTRICTED TO |
| A3 | 00779 | C-2129260 | - |

SCALE: 5:1 SHEET 5 OF 6 REV B

4

3

2

1

THIS DRAWING IS UNPUBLISHED.

RELEASED FOR PUBLICATION

20

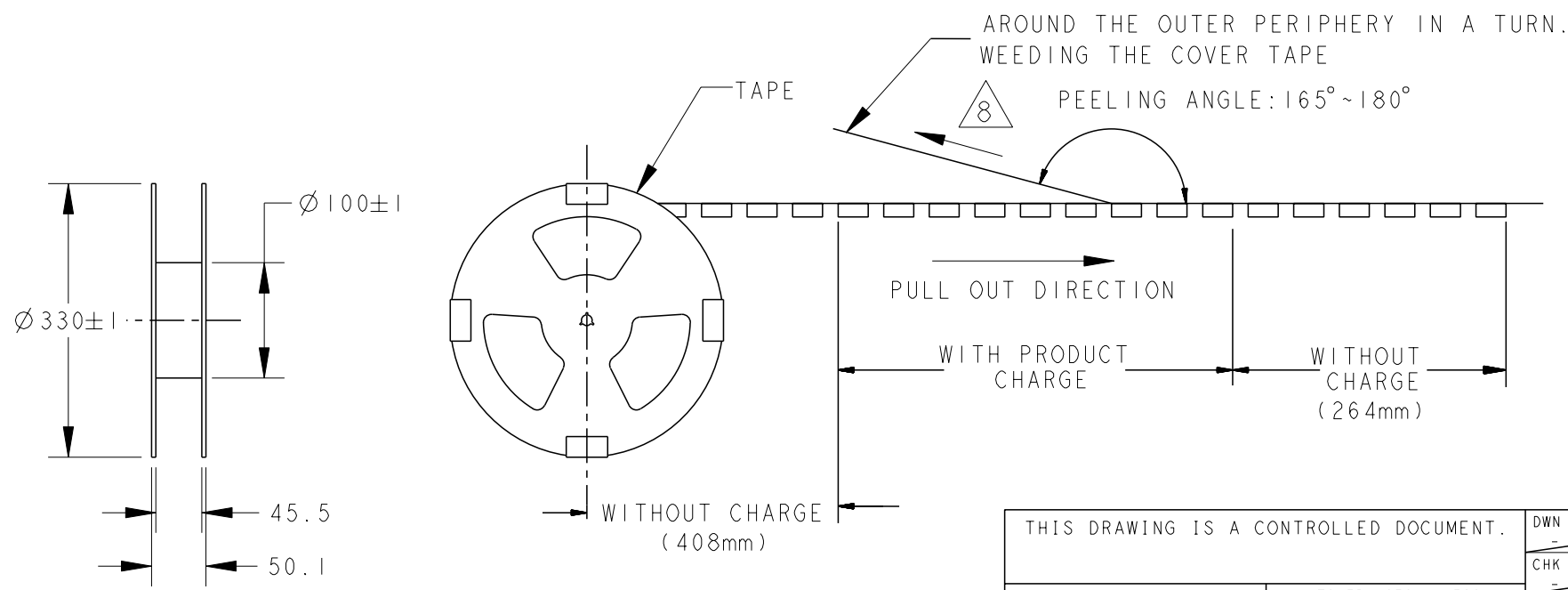
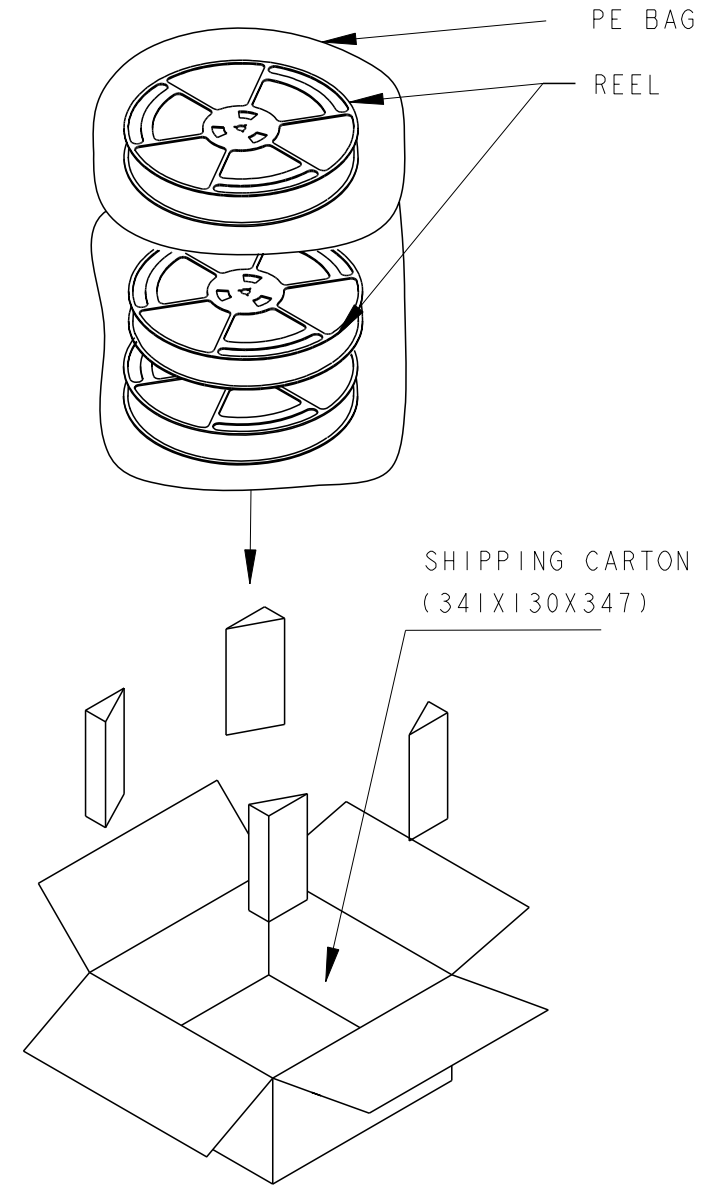
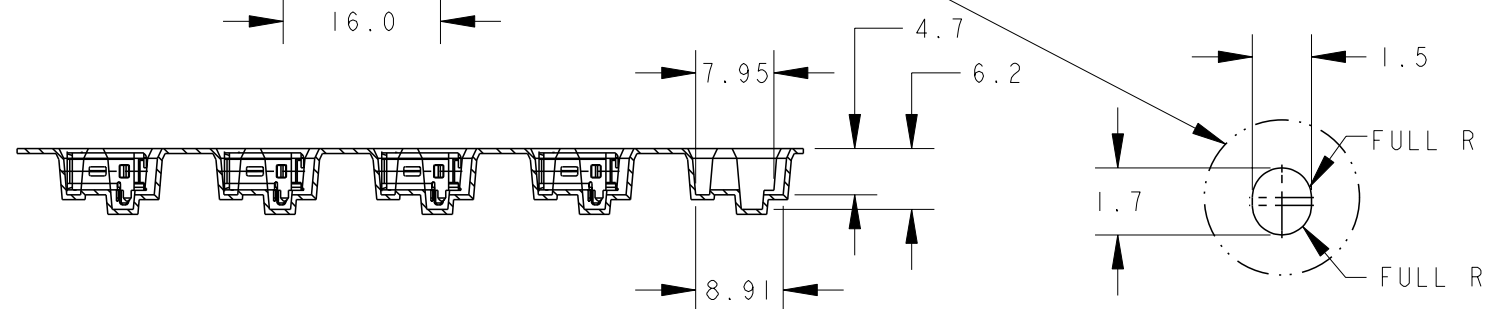
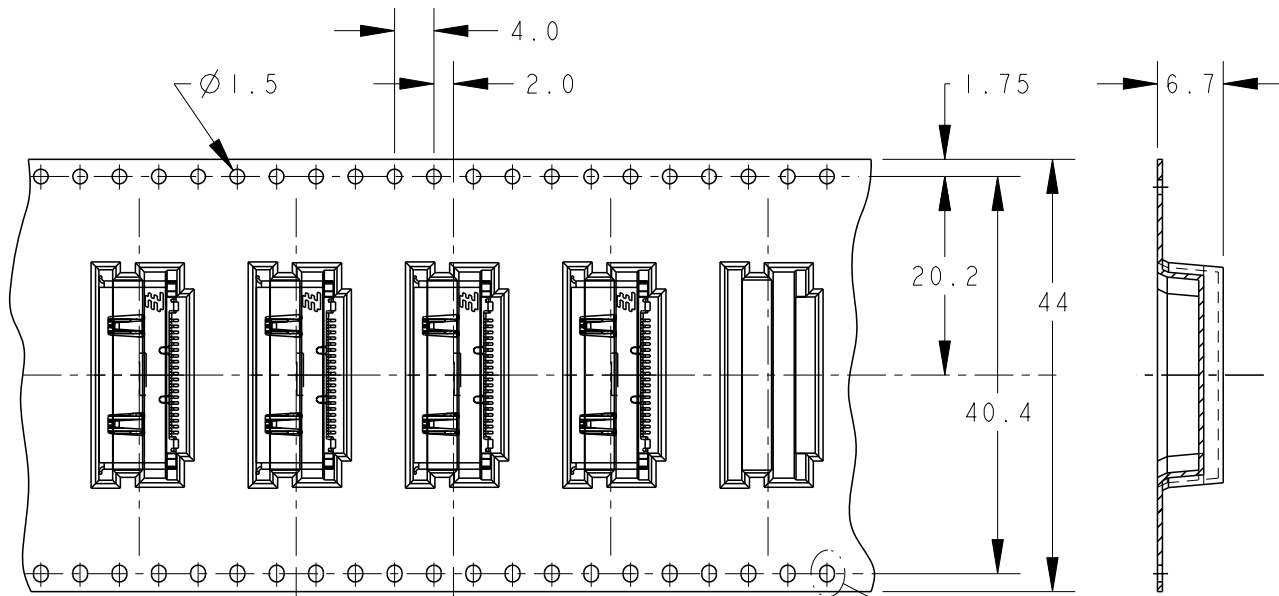
© COPYRIGHT 20 BY -

ALL RIGHTS RESERVED.

LOC DW DIST

REVISIONS

| P | LTR | DESCRIPTION | DATE | DWN | APVD |
|---|-----|-------------|------|-----|------|
| | | SEE SHEET 1 | | | |



| | | | |
|-----------|----------|--------------|----------------|
| 2129260-2 | 600 | 2 | 1200 |
| P/N | PCS/TAPE | REELS/CARTON | TOTAL QUANTITY |

| | | | |
|--|---|------------------|---|
| THIS DRAWING IS A CONTROLLED DOCUMENT. | | DWN | - |
| DIMENSIONS: mm | | CHK | - |
| TOLERANCES UNLESS OTHERWISE SPECIFIED: | | APVD | - |
| 0 PLC | ± | PRODUCT SPEC | - |
| 1 PLC | ± | APPLICATION SPEC | - |
| 2 PLC | ± | ±0.5 | - |
| 3 PLC | ± | ±3° | - |
| 4 PLC | ± | - | - |
| ANGLES | ± | WEIGHT | - |
| FINISH | - | CUSTOMER DRAWING | - |

| | | | |
|--|-----------|--------------|---------------|
| STE TE Connectivity | | | |
| NAME RECEPTACLE ASSY, 0.6mm PITCH CHAMP DOCKING CONNECTOR, 40POS | | | |
| SIZE | CAGE CODE | DRAWING NO | RESTRICTED TO |
| A3 | 00779 | C=2129260 | - |
| SCALE 5:1 | | SHEET 6 OF 6 | REV B |

X-ON Electronics

Largest Supplier of Electrical and Electronic Components

Click to view similar products for [I/O Connectors](#) category:

Click to view products by [TE Connectivity](#) manufacturer:

Other Similar products are found below :

[571763P](#) [58098-0628](#) [72.250.1628.2](#) [72.250.2428.2](#) [74720-0505](#) [76.350.0729.0](#) [76871-1403](#) [FCN-244F080-G/1](#) [FCN-260A9920](#) [PCR-E36PM](#) [PCS-XE26MA+](#) [G38A71314B](#) [1571250010](#) [157-22500-3](#) [MS3471L14-19P L/C](#) [172501-4002](#) [172501-6002](#) [FCN-260C008-A/L0](#) [FCN-260C024-AL0](#) [FCN-261Z008](#) [2000314-1](#) [200331-1](#) [PCR-E36FC+](#) [PCS-E28FS+](#) [PCS-XE26SLFD+](#) [PCS-XE26SLFDT+](#) [G730VID08BDC24](#) [U90B2054081210](#) [38113800006](#) [DP3AR020WQ1R200](#) [Z4.102.0680.0](#) [500-1040](#) [500-1052](#) [500-1054](#) [ZP-4008-66L](#) [0709821002](#) [DX40-20P\(55\)](#) [5554841-1](#) [MS3474W18-8P-LC*](#) [U90B3054061110](#) [U65-E04-4020](#) [ZPF000000000097891](#) [747360449](#) [10099439-003C-TRLF](#) [10137239-0021LF](#) [E9320-001-01](#) [10137239-0011LF](#) [70289-001LF](#) [70.060.1028.0](#) [109029-ZZ](#)