

LOC DW

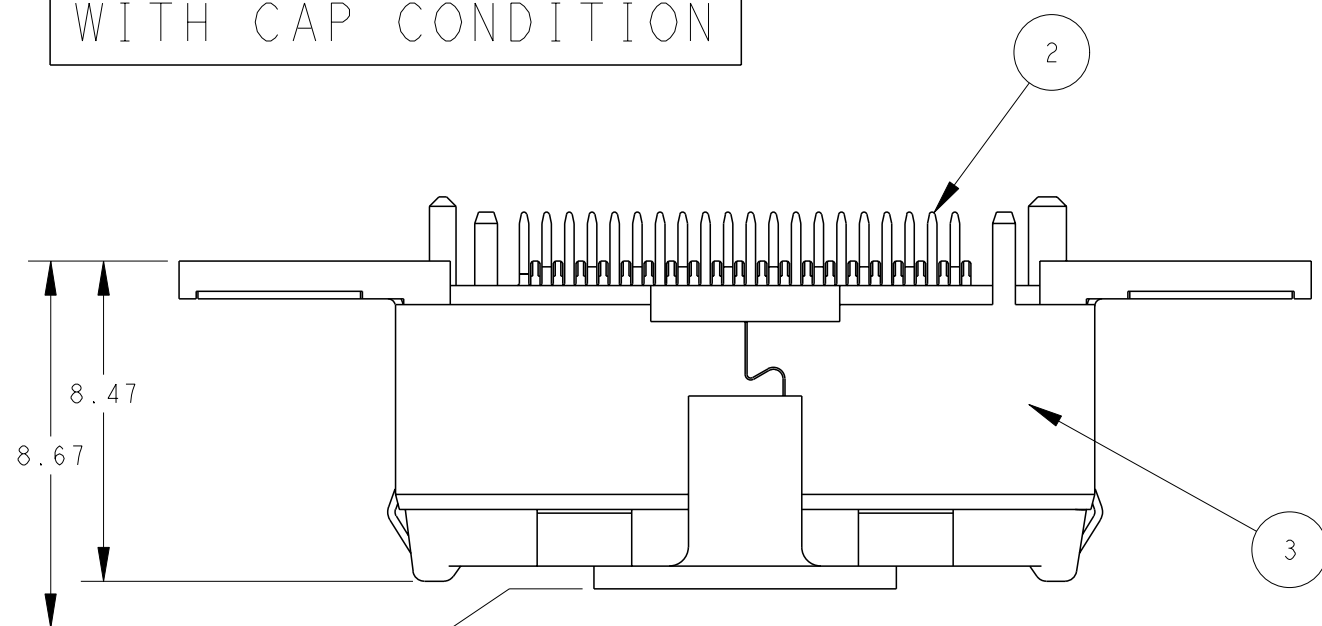
DIST

REVISIONS

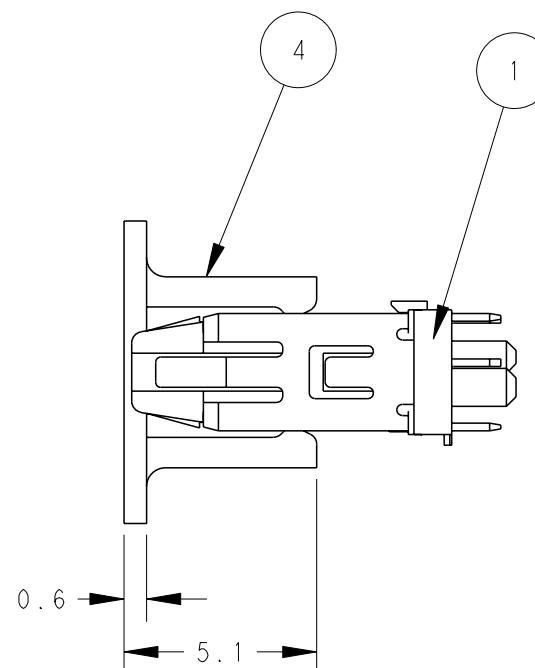
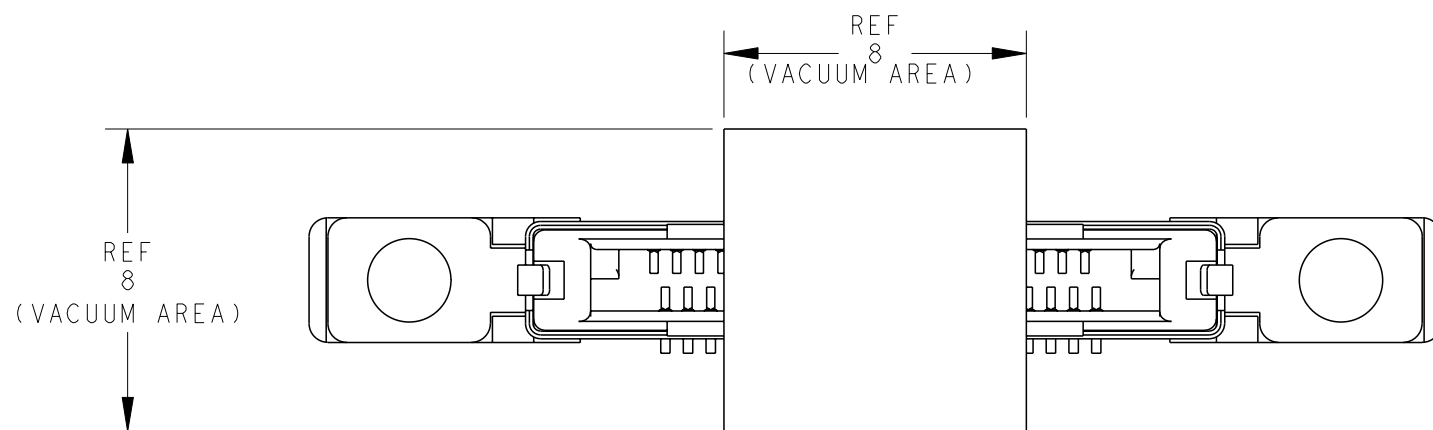
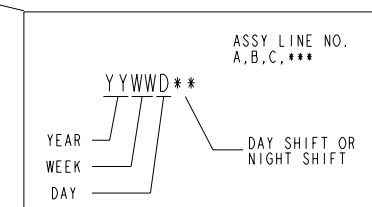
P	LTR	DESCRIPTION	DATE	DWN	APVD
B		REVISED (ECR-11-013643)	30JUN2011	T.K	H.K

WITH CAP CONDITION

2129261-1; AS SHOWN



- ① MATERIAL: HOUSING: THERMO-PLASTIC(UL94V-0, BLACK).
CONTACT: COPPER ALLOY.
SHELL: STAINLESS STEEL.
CAP: THERMO-PLASTIC(UL94V-0, BLACK).
- ② FINISH:
CONTACT: ALL OVER 2um MIN. Ni UNDER PLATING.
0.38um MIN. Au PLATING ON CONTACT AREA.
1~3um Tin PLATING ON TINE AREA.
SHELL: ALL OVER 1.3um MIN. Ni UNDER PLATING.
- 3. LOW HALOGEN SPECIFICATION
CHLORINE(Cl) : 900 ppm MAX.
BROMINE(Br) : 900 ppm MAX.
- ④ DATE CODE



Q'TY	NAME	ITEM
1	CAP	④
1	SHELL	③
40	CONTACT	②
1	HOUSING	①

THIS DRAWING IS A CONTROLLED DOCUMENT.

DIMENSIONS:	TOLERANCES UNLESS OTHERWISE SPECIFIED:
mm	
	0 PLC ±
	1 PLC ± ±0.25
	2 PLC ± ±3°
	3 PLC ±
	4 PLC ±
	ANGLES ±

MATERIAL	FINISH
①	②

DWN	T.KUO	21MAR2011
CHK	V.PENG	21MAR2011
APVD	H.KODAMA	21MAR2011
PRODUCT SPEC	108-99033	
APPLICATION SPEC		
WEIGHT	1.14	

STE TE Connectivity			
NAME PLUG ASSY, 0.6mm PITCH CHAMP DOCKING CONNECTOR, 40POS			
SIZE	CAGE CODE	DRAWING NO	RESTRICTED TO
A3	00779	C=2129261	-

CUSTOMER DRAWING	SCALE 5:1	SHEET 1 OF 5	REV B
------------------	-----------	--------------	-------

4

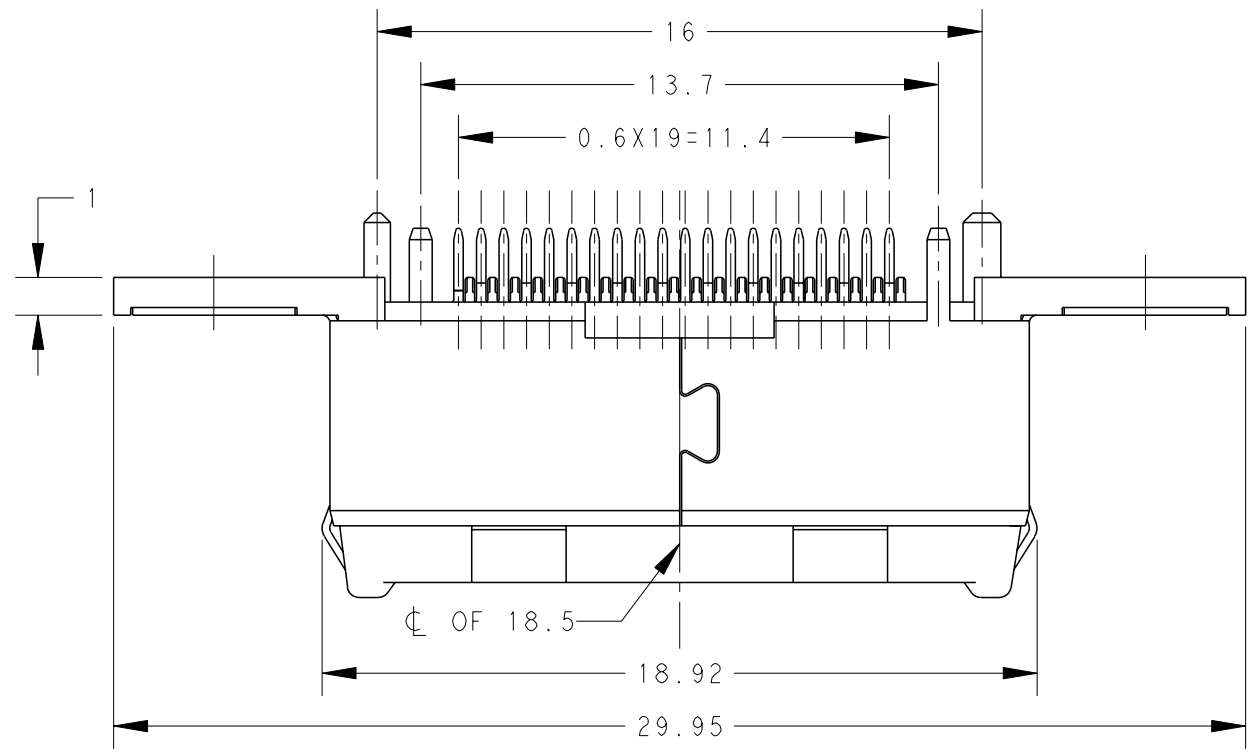
3

2

1

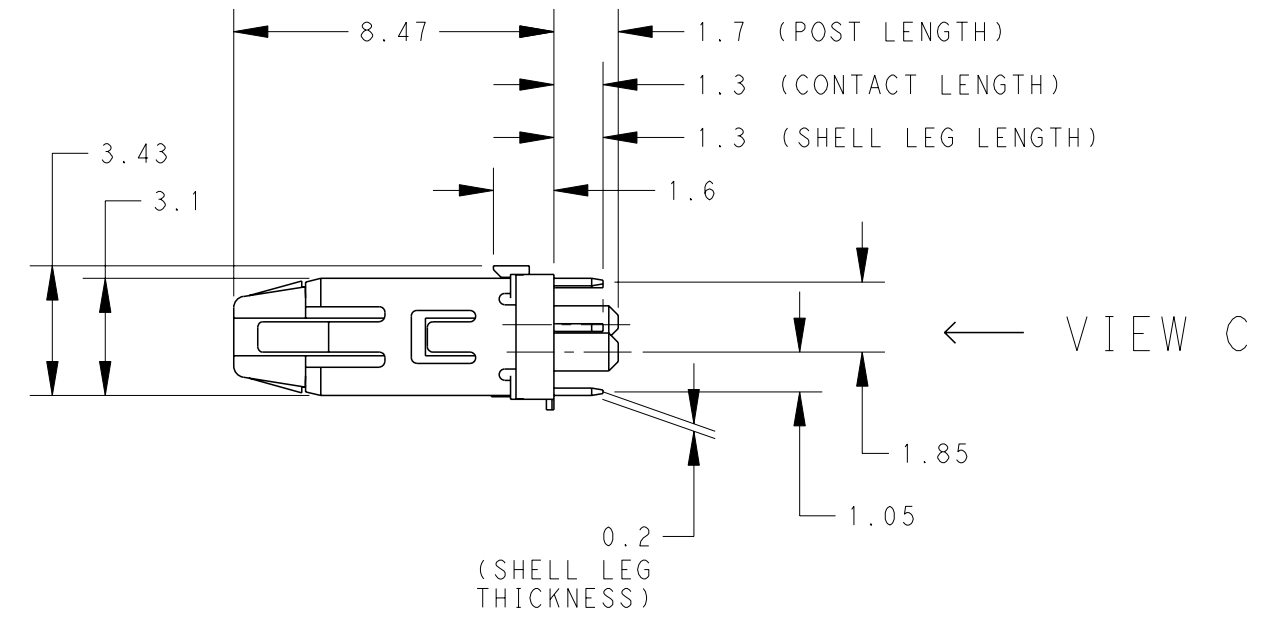
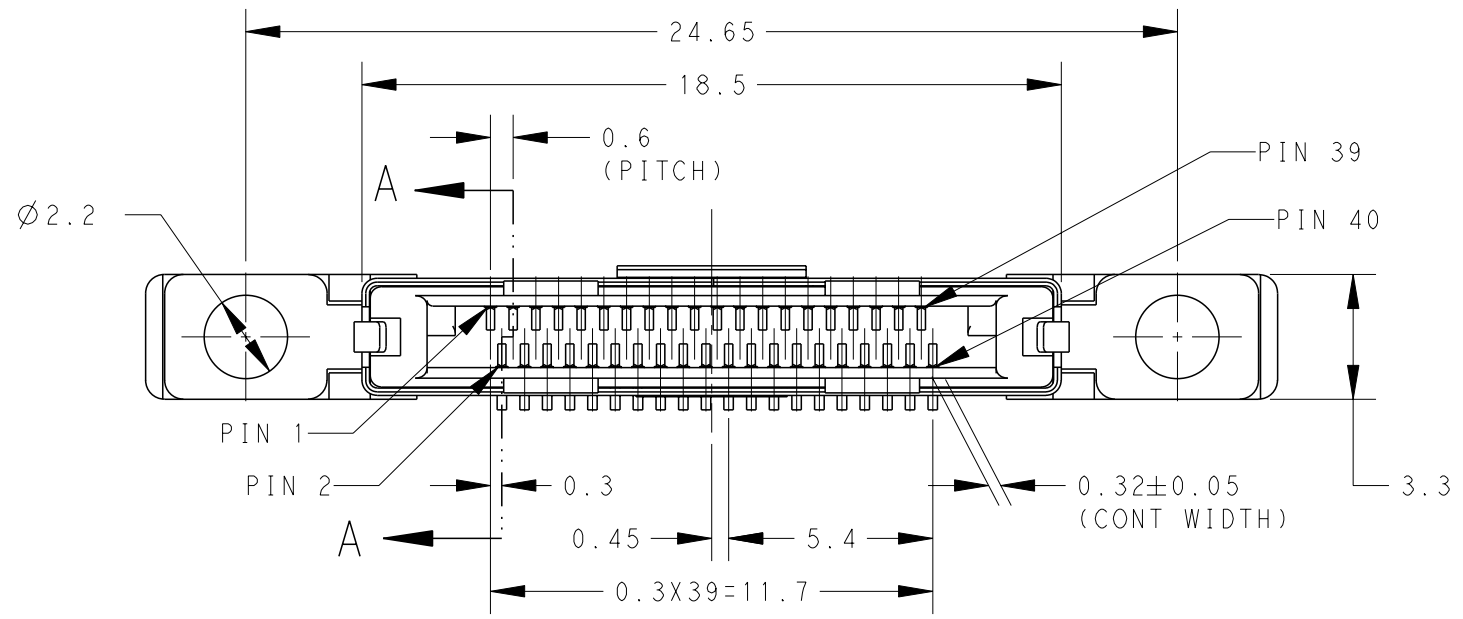
THIS DRAWING IS UNPUBLISHED. RELEASED FOR PUBLICATION 20
 © COPYRIGHT 20 BY - ALL RIGHTS RESERVED.

LOC		DIST		REVISIONS			
P	LTR	DESCRIPTION		DATE	DWN	APVD	
		SEE SHEET 1					



2129261-1; AS SHOWN

W/O CAP CONDITION



VIEW B

VIEW C

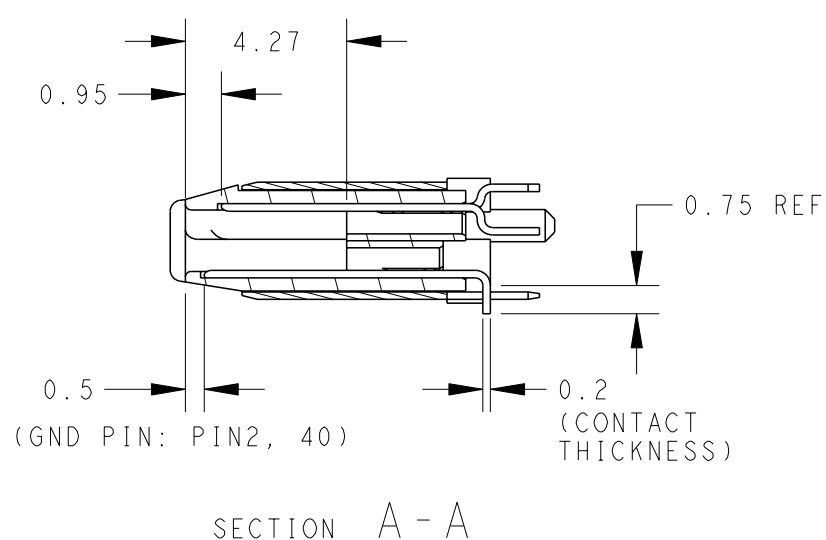
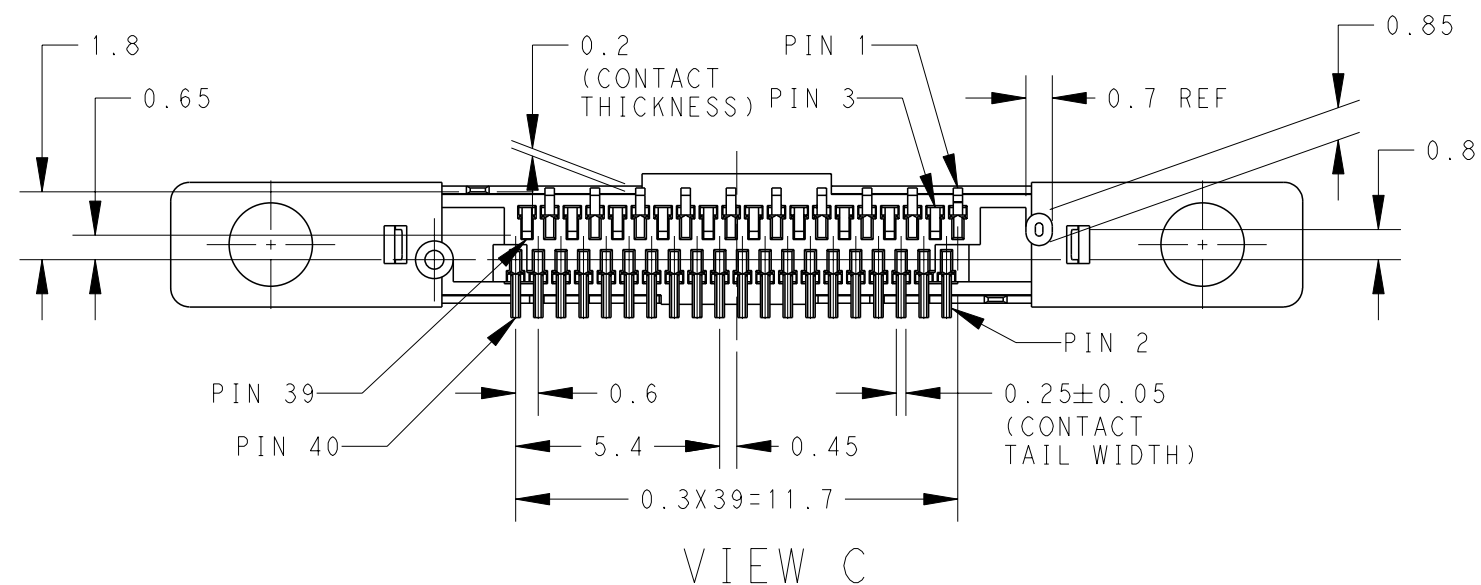
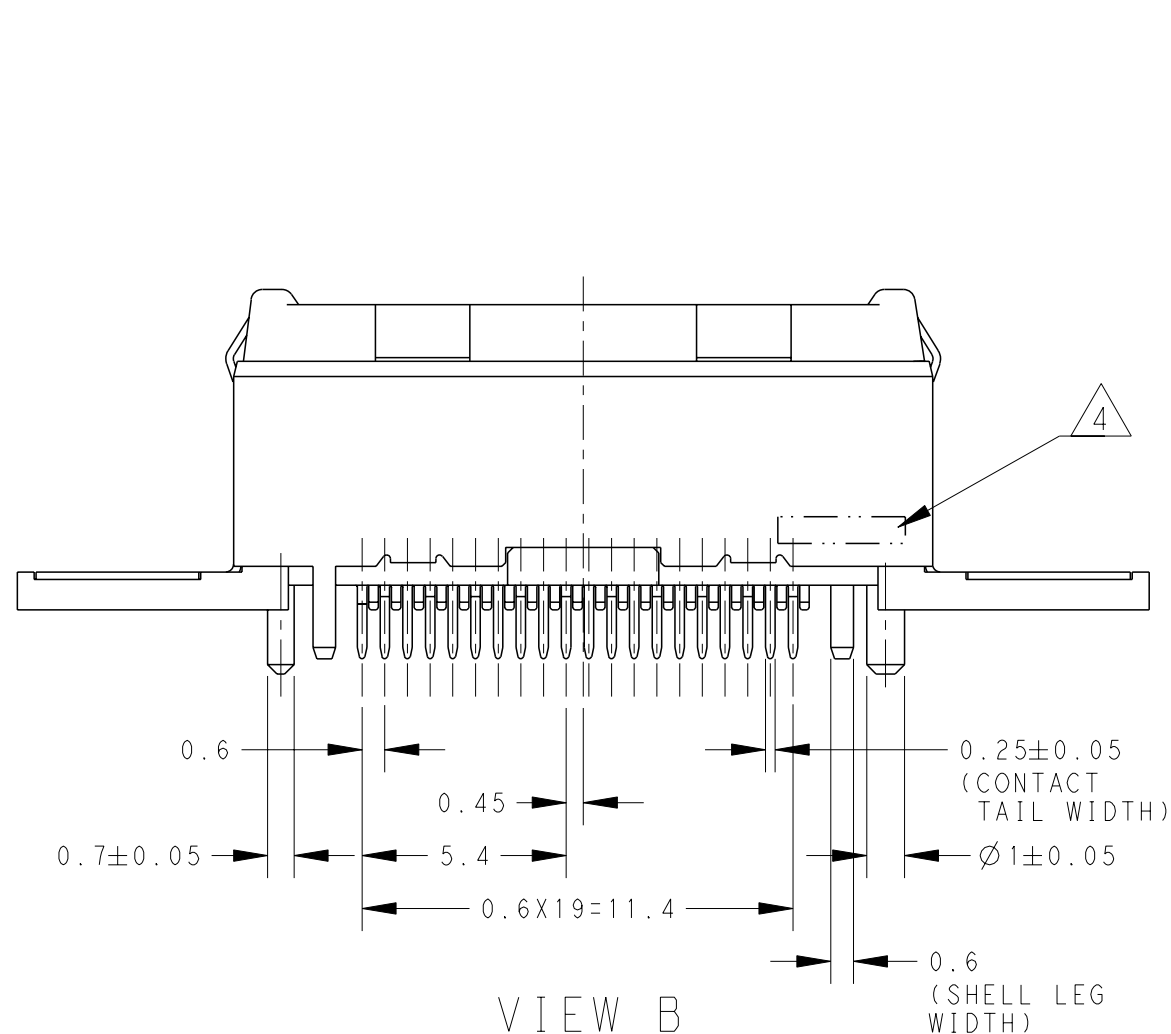
THIS DRAWING IS A CONTROLLED DOCUMENT.		DWN	-		
DIMENSIONS: mm		CHK	-		
TOLERANCES UNLESS OTHERWISE SPECIFIED:		APVD	-		
0 PLC ±		PRODUCT SPEC	-		
1 PLC ± ±0.25		APPLICATION SPEC	-		
2 PLC ± ±3°		WEIGHT	0.97g		
3 PLC ±		CUSTOMER DRAWING	-		
4 PLC ±		SCALE	5:1		
ANGLES ±		SHEET	2 OF 5		
FINISH -		REV	B		

STE TE Connectivity

NAME: PLUG ASSY, 0.6mm PITCH CHAMP DOCKING CONNECTOR, 40POS

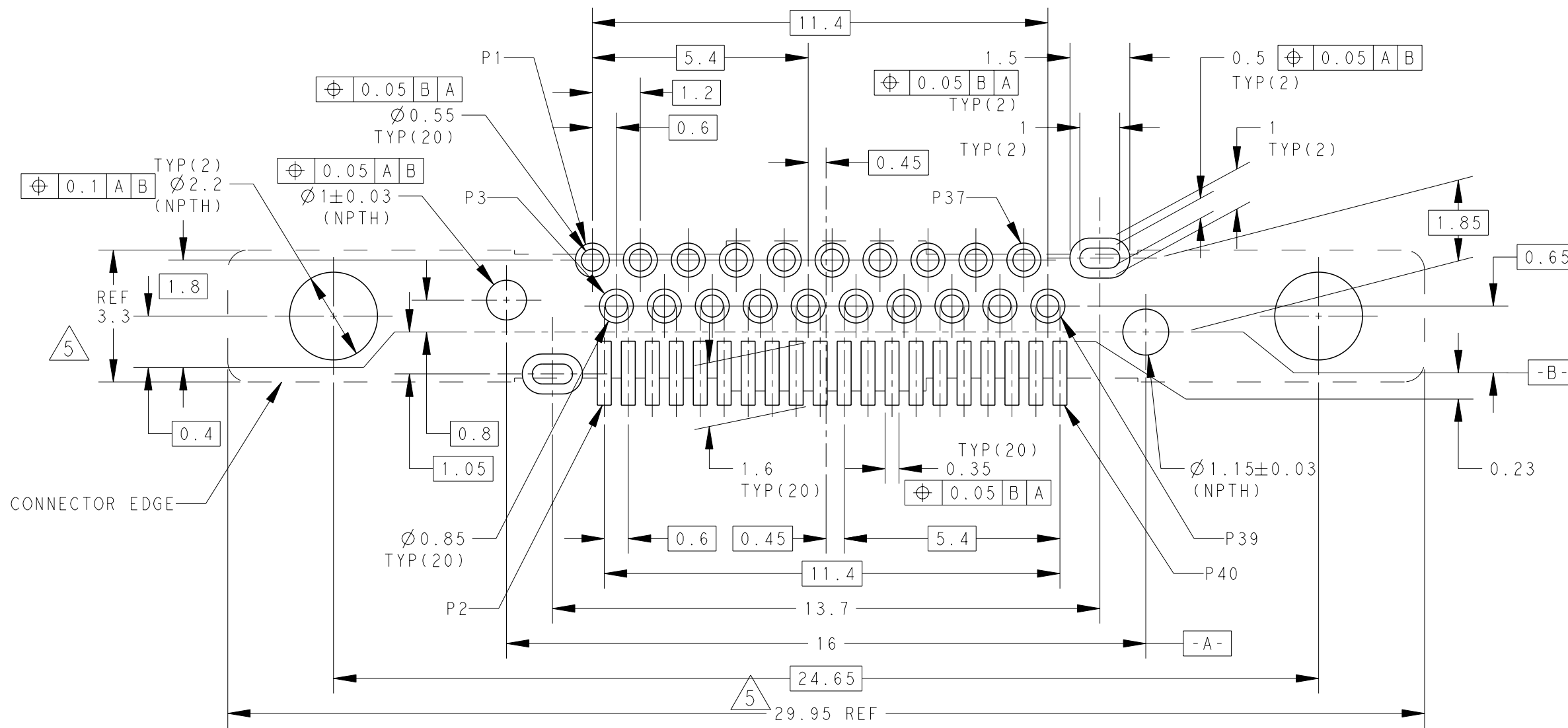
SIZE: A3 CAGE CODE: 300779 DRAWING NO: C-2129261

P	LTR	DESCRIPTION	DATE	DWN	APVD
		SEE SHEET 1			




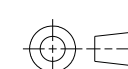
THIS DRAWING IS A CONTROLLED DOCUMENT.		DWN	-	STE TE Connectivity																				
DIMENSIONS: mm		CHK	-																					
TOLERANCES UNLESS OTHERWISE SPECIFIED:		APVD	-																					
<table border="1"> <tr><td>0 PLC</td><td>±</td><td>±0.25</td></tr> <tr><td>1 PLC</td><td>±</td><td>±0.25</td></tr> <tr><td>2 PLC</td><td>±</td><td>±3°</td></tr> <tr><td>3 PLC</td><td>±</td><td>±3°</td></tr> <tr><td>4 PLC</td><td>±</td><td>±</td></tr> <tr><td>ANGLES</td><td>±</td><td>±</td></tr> <tr><td>FINISH</td><td>-</td><td>-</td></tr> </table>		0 PLC	±		±0.25	1 PLC	±	±0.25	2 PLC	±	±3°	3 PLC	±	±3°	4 PLC	±	±	ANGLES	±	±	FINISH	-	-	PRODUCT SPEC
0 PLC	±	±0.25																						
1 PLC	±	±0.25																						
2 PLC	±	±3°																						
3 PLC	±	±3°																						
4 PLC	±	±																						
ANGLES	±	±																						
FINISH	-	-																						
MATERIAL		APPLICATION SPEC	-	NAME PLUG ASSY, 0.6mm PITCH CHAMP DOCKING CONNECTOR, 40POS																				
		WEIGHT	-	SIZE A3																				
		CUSTOMER DRAWING	-	CAGE CODE 00779																				
			-	DRAWING NO C-2129261																				
			-	RESTRICTED TO																				
			-	SCALE 5:1																				
			-	SHEET 3 OF 5																				
			-	REV B																				

P	LTR	DESCRIPTION	DATE	DWN	APVD
		SEE SHEET 1			



RECOMMENDED P.C. BOARD LAYOUT (TOP VIEW)

5 CONNECTOR OUTLINE

THIS DRAWING IS A CONTROLLED DOCUMENT.		DWN	 TE Connectivity		
DIMENSIONS: mm		CHK			
		APVD			
TOLERANCES UNLESS OTHERWISE SPECIFIED:		PRODUCT SPEC			
0 PLC ± ±0.05 1 PLC ± ±0.05 2 PLC ± ±3° 3 PLC ± ± 4 PLC ± ± ANGLES ± ± FINISH -		APPLICATION SPEC	NAME PLUG ASSY, 0.6mm PITCH CHAMP DOCKING CONNECTOR, 40POS		
MATERIAL -		WEIGHT	SIZE A3	CAGE CODE 00779	DRAWING NO C=2129261
		CUSTOMER DRAWING	SCALE 8:1	SHEET 4	OF 5
				REV B	

4

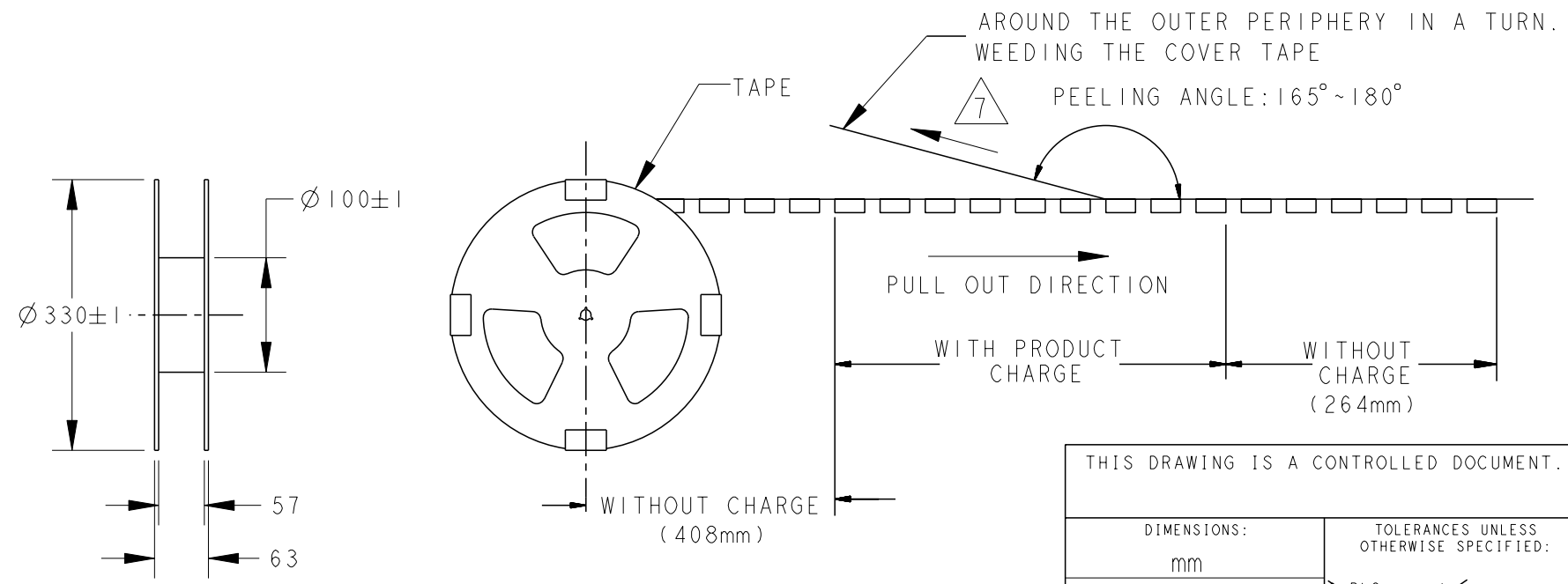
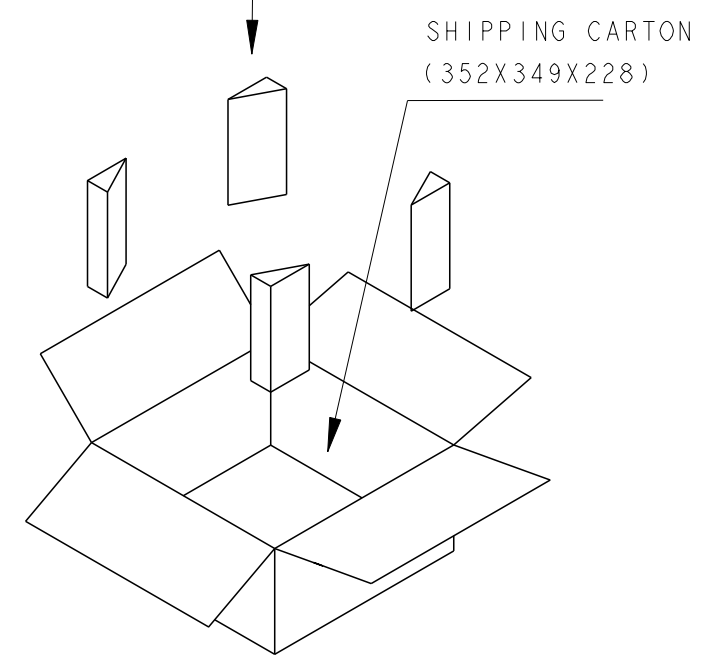
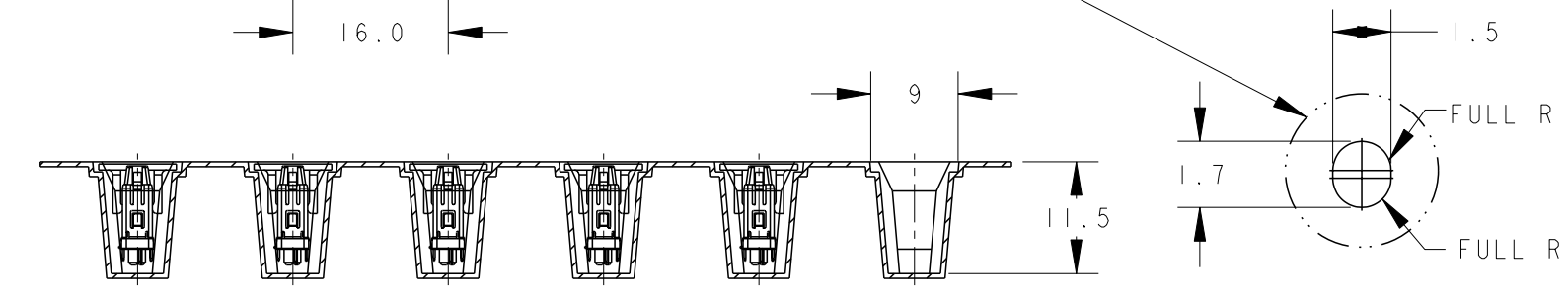
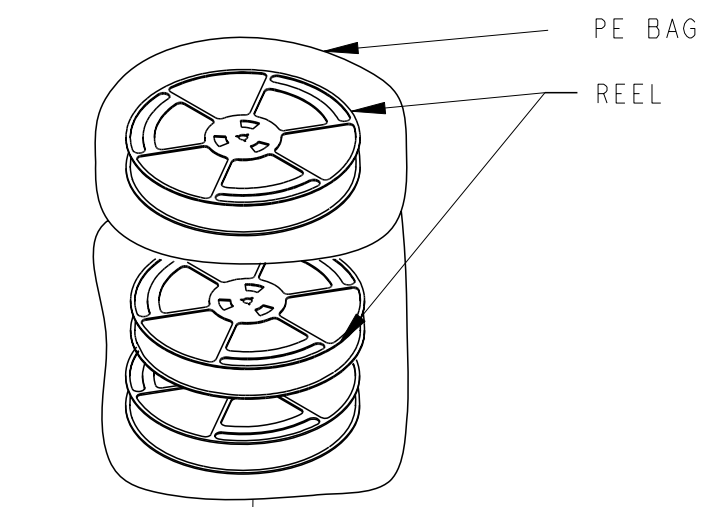
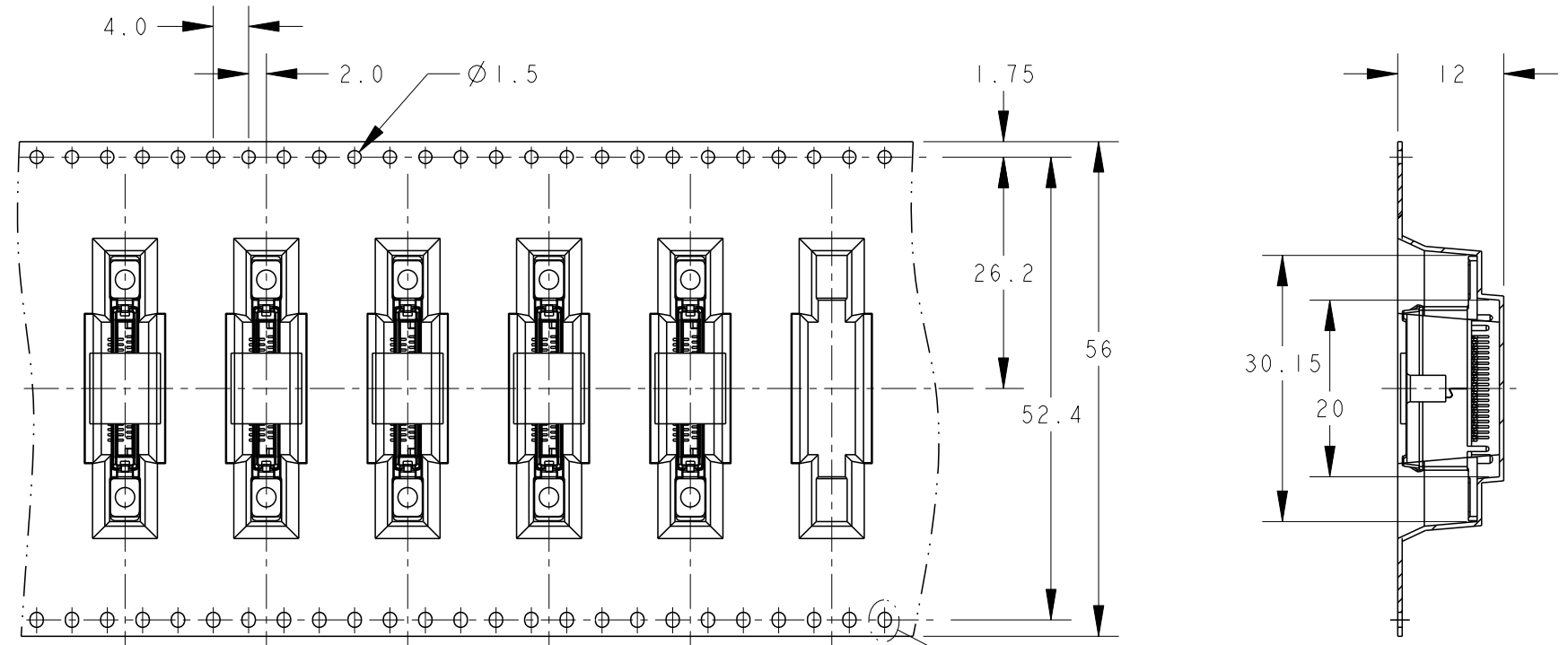
3

2

1

THIS DRAWING IS UNPUBLISHED. RELEASED FOR PUBLICATION 20
 © COPYRIGHT 20 BY - ALL RIGHTS RESERVED.

LOC DW	DIST -	REVISIONS			
P	LTR	DESCRIPTION	DATE	DWN	APVD
		SEE SHEET 1			



6. PACKING MATERIAL:
 CARRY TAPE: PS; COLOR:BLACK.
 COVER TAPE: PET; COLOR: CLEAR.
 PEELING STRENGTH OF COVER TAPE: 0.2N~1.2N

300	3	900
PCS/ TAPE	REELS/ CARTON	TOTAL QUANTITY

THIS DRAWING IS A CONTROLLED DOCUMENT.		DWN	-	 TE Connectivity	
DIMENSIONS: mm		CHK	-		
TOLERANCES UNLESS OTHERWISE SPECIFIED:		APVD	-		
0 PLC ± 1 PLC ± ±0.5 2 PLC ± ±3° 3 PLC ± 4 PLC ± ANGLES ± FINISH -		PRODUCT SPEC	-		
MATERIAL		APPLICATION SPEC	-	NAME PLUG ASSY, 0.6mm PITCH CHAMP DOCKING CONNECTOR, 40POS	
		WEIGHT	-	SIZE	A3
		CUSTOMER DRAWING	-	CAGE CODE	00779
			-	DRAWING NO	C-2129261
			-	RESTRICTED TO	-
			-	SCALE	5:1
			-	SHEET	5 OF 5
			-	REV	B

X-ON Electronics

Largest Supplier of Electrical and Electronic Components

Click to view similar products for [I/O Connectors](#) category:

Click to view products by [TE Connectivity](#) manufacturer:

Other Similar products are found below :

[571763P](#) [58098-0628](#) [72.250.1628.2](#) [72.250.2428.2](#) [74720-0505](#) [76.350.0729.0](#) [76871-1403](#) [FCN-244F080-G/1](#) [FCN-260A9920](#) [PCR-E36PM](#) [PCS-XE26MA+](#) [G38A71314B](#) [1571250010](#) [157-22500-3](#) [MS3471L14-19P L/C](#) [172501-4002](#) [172501-6002](#) [FCN-260C008-A/L0](#) [FCN-260C024-AL0](#) [FCN-261Z008](#) [2000314-1](#) [200331-1](#) [PCR-E36FC+](#) [PCS-E28FS+](#) [PCS-XE26SLFD+](#) [PCS-XE26SLFDT+](#) [G730VID08BDC24](#) [U90B2054081210](#) [38113800006](#) [DP3AR020WQ1R200](#) [Z4.102.0680.0](#) [500-1040](#) [500-1052](#) [500-1054](#) [ZP-4008-66L](#) [0709821002](#) [DX40-20P\(55\)](#) [5554841-1](#) [MS3474W18-8P-LC*](#) [U90B3054061110](#) [U65-E04-4020](#) [ZPF000000000097891](#) [747360449](#) [10099439-003C-TRLF](#) [10137239-0021LF](#) [E9320-001-01](#) [10137239-0011LF](#) [70289-001LF](#) [70.060.1028.0](#) [109029-ZZ](#)