

4

3

2

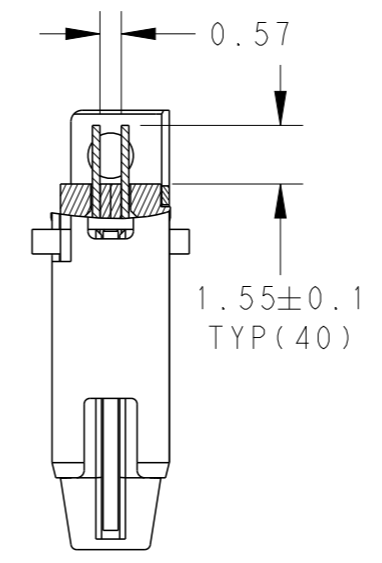
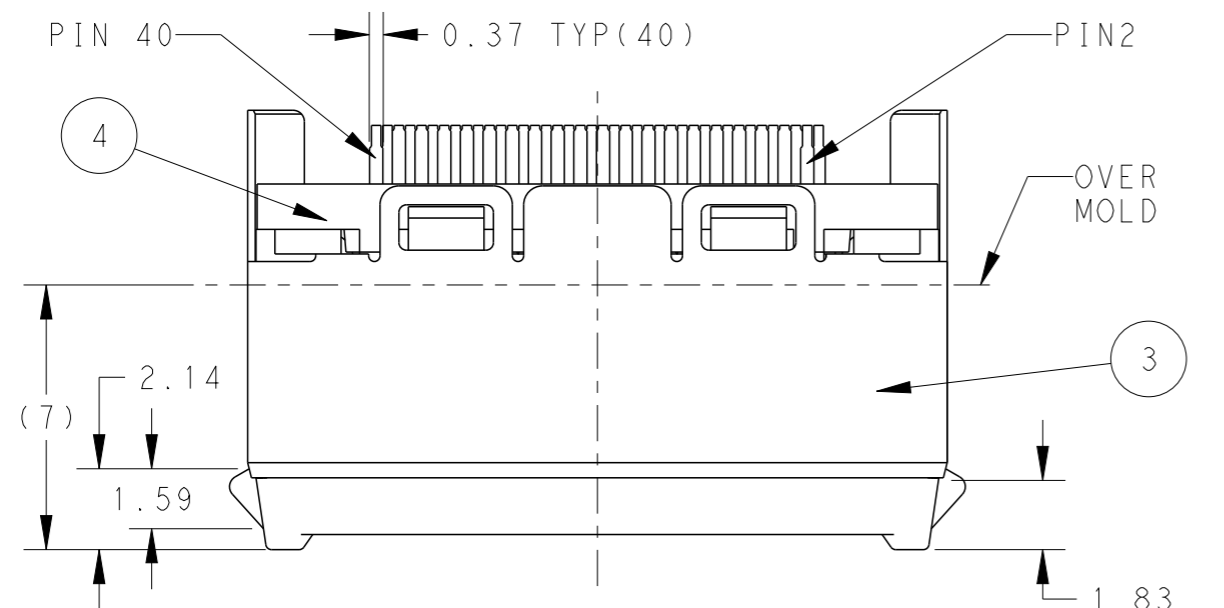
1

THIS DRAWING IS UNPUBLISHED. RELEASED FOR PUBLICATION 20
© COPYRIGHT 20 BY TYCO ELECTRONICS CORPORATION. ALL INTERNATIONAL RIGHTS RESERVED.

LOC DW DIST

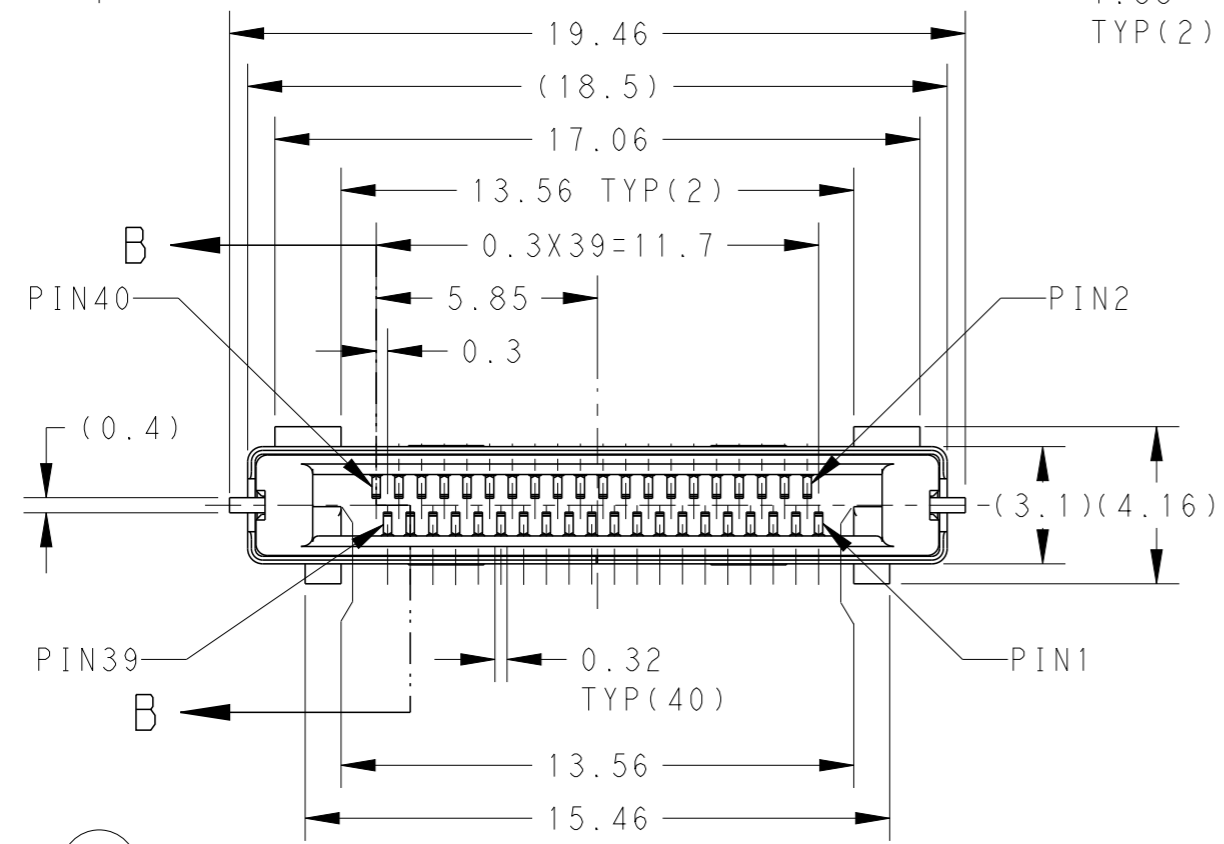
REVISIONS					
P	LTR	DESCRIPTION	DATE	DWN	APVD
	A	RELEASED	23FEB2011	S.Y	H.K
	A3	REVISED (ECR-11-016286)	21JUN2011	S.Y	H.K
	A5	REVISED (ECR-12-003398)	22FEB2012	S.Y	H.K

2129276-1: AS SHOWN



B-B

- △ MATERIAL:
- ①. HOUSING: THERMO-PLASTIC(UL94V-0,BLACK).
 - ②. CONTACT: COPPER ALLOY.
 - ③. SHELL: STAINLESS STEEL.
 - ④. COVER: THERMO-PLASTIC(UL94V-0,BLACK).
 - ⑤. LATCH: STAINLESS STEEL.
- △ FINISH:
- CONTACT:
 - Ni UNDER PLATING OVERALL.
 - Au PLATING ON CONTACT AREA OVERALL.
 - Tin PLATING ON TINE AREA.
 - SHELL:
 - Ni UNDER PLATING OVERALL.



△ DATE CODE: YY WW D **

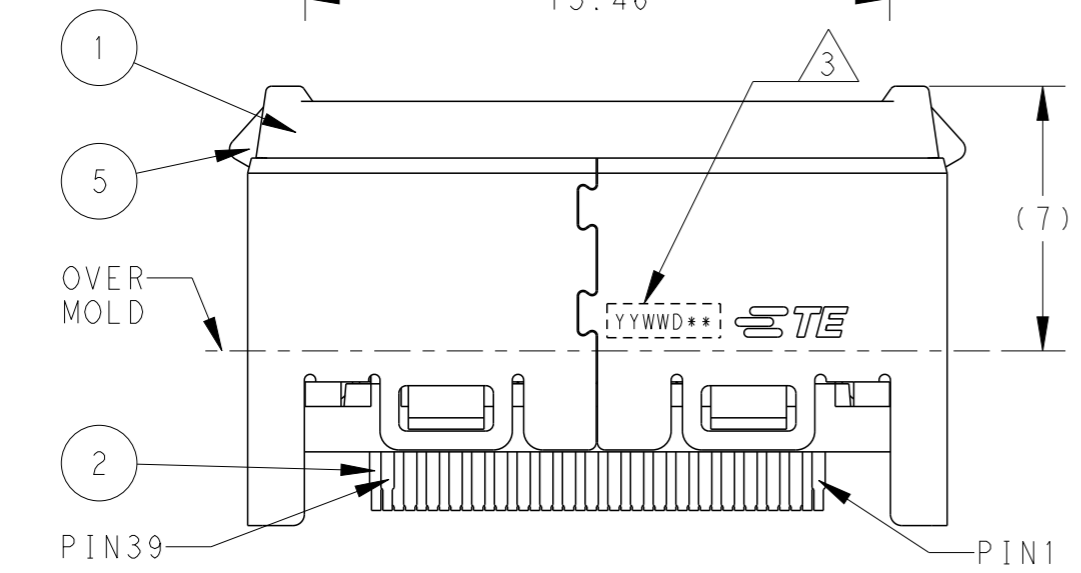
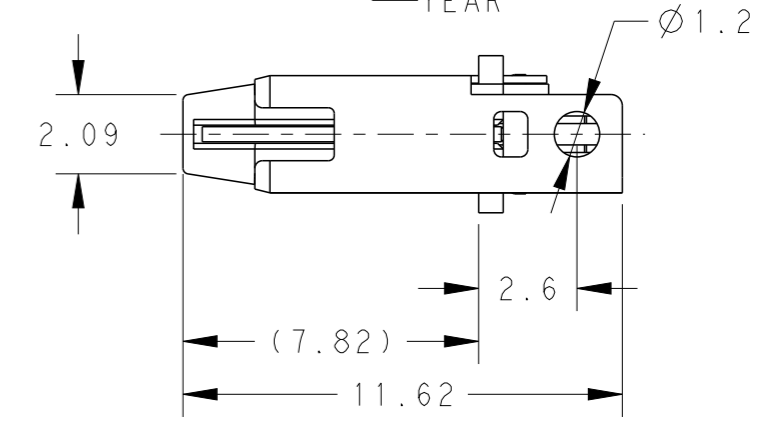
ASSY LINE NO. A,B,C,***

DAY SHIFT OR NIGHT SHIFT

DAY

WEEK

YEAR



THIS DRAWING IS A CONTROLLED DOCUMENT FOR TYCO ELECTRONICS CORPORATION IT IS SUBJECT TO CHANGE AND THE CONTROLLING ENGINEERING ORGANIZATION SHOULD BE CONTACTED FOR THE LATEST REVISION.

DIMENSIONS:	TOLERANCES UNLESS OTHERWISE SPECIFIED:
mm	0 PLC ±0.25
	1 PLC ±0.25
	2 PLC ±3°
	3 PLC ±
	4 PLC ±
	ANGLES ±
MATERIAL	FINISH
①	②

DWN S. YANG 29-Feb-12	Tyco Electronics Corporation Taipei, Taiwan	
CHK M. CHAO 29-Feb-12	NAME CABLE PLUG ASSY, 0.6MM PITCH CHAMP DOCKING CONNECTOR, 40 POS.	
APVD H. KODAMA 29-Feb-12	PRODUCT SPEC 108-99033	
APPLICATION SPEC	SIZE A3	CAGE CODE 00779
WEIGHT 1.03g	DRAWING NO. C-2129276	RESTRICTED TO
CUSTOMER DRAWING	SCALE 5:1	SHEET 1 OF 2
		REV A5

THIS DRAWING IS UNPUBLISHED.

RELEASED FOR PUBLICATION

20

© COPYRIGHT 20

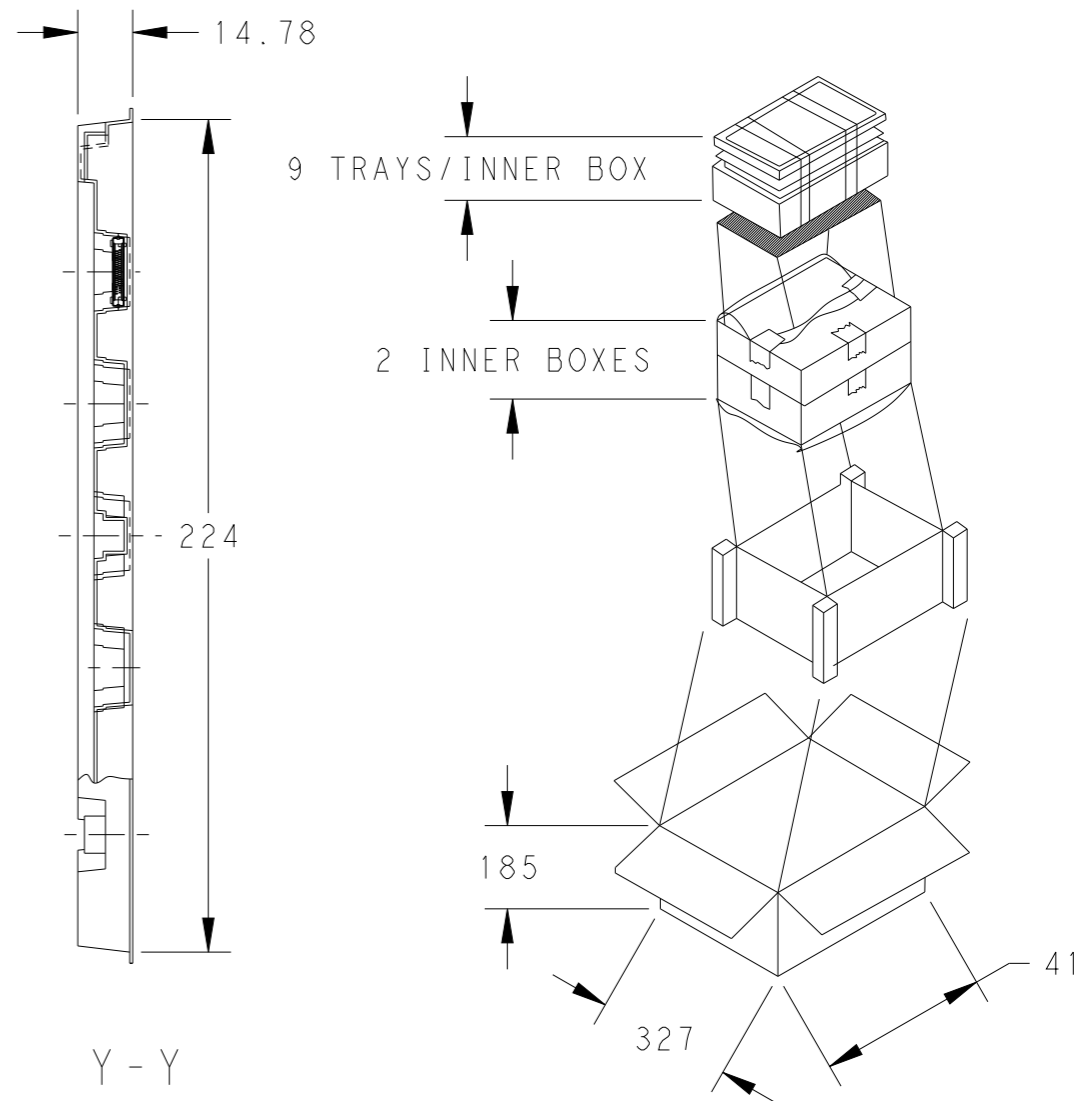
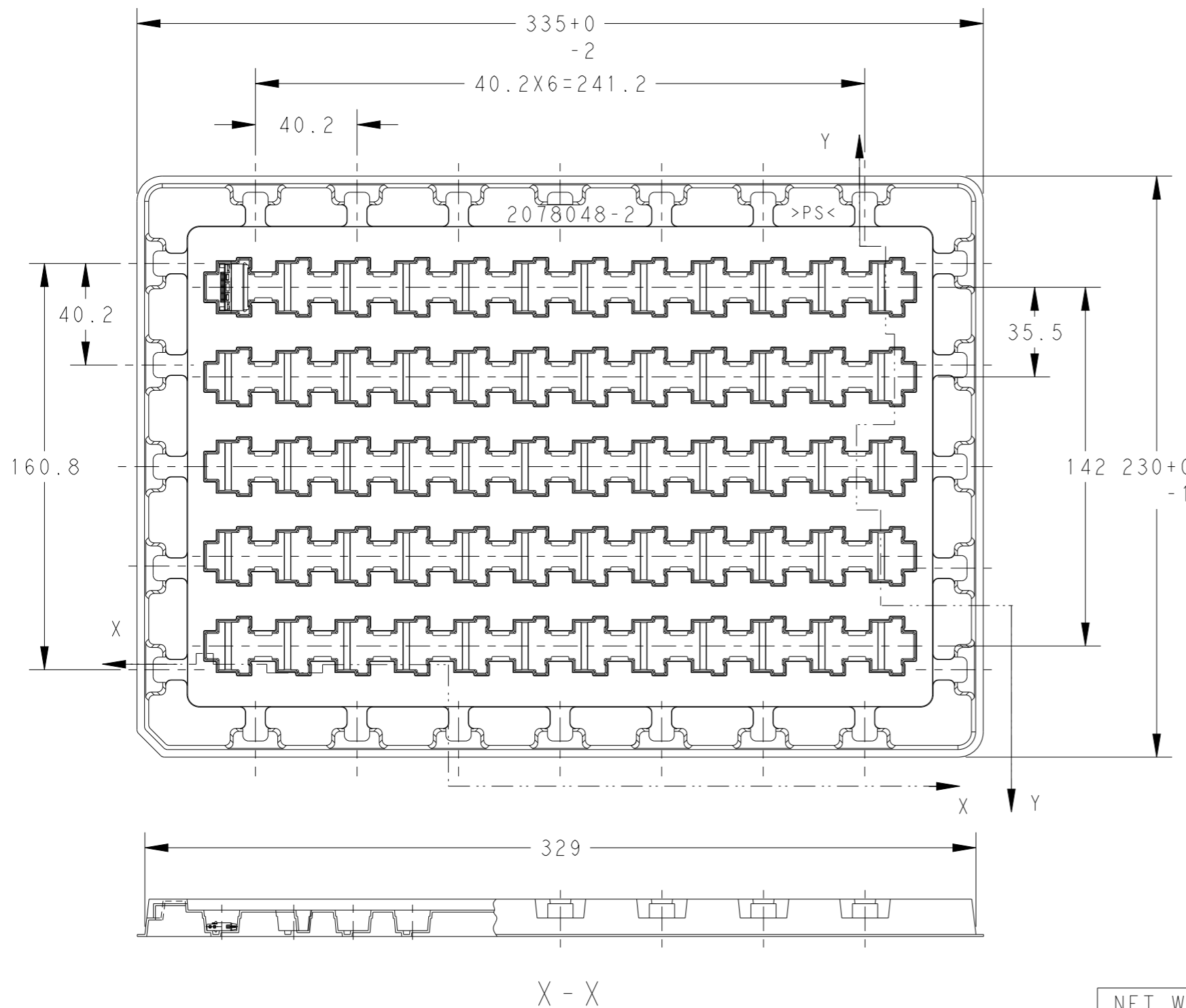
BY TYCO ELECTRONICS CORPORATION. ALL INTERNATIONAL RIGHTS RESERVED.

LOC
DW

DIST
-

REVISIONS

P	LTR	DESCRIPTION	DATE	DWN	APVD
-	-	SEE SHEET 1	-	-	-



NET WEIGHT	GROSS WEIGHT	QTY/TRAY	QTY/INNER BOX	QTY/BOX
1.11 KG	2.5 KG	60 PC	540 PC	1080 PC

<small>THIS DRAWING IS A CONTROLLED DOCUMENT FOR TYCO ELECTRONICS CORPORATION. IT IS SUBJECT TO CHANGE AND THE CONTROLLING ENGINEERING ORGANIZATION SHOULD BE CONTACTED FOR THE LATEST REVISION.</small>		DWN - CHK - APVD - PRODUCT SPEC - APPLICATION SPEC - WEIGHT 1.03g		Tyco Electronics Tyco Electronics Corporation Taipei, Taiwan	
DIMENSIONS: mm 		TOLERANCES UNLESS OTHERWISE SPECIFIED: 0 PLC ±- 1 PLC ±- ±2 2 PLC ±- ±5° 3 PLC ±- ±5° 4 PLC ±- ±5° ANGLES ±- FINISH -		NAME CABLE PLUG ASSY, 0.6MM PITCH CHAMP DOCKING CONNECTOR, 40 POS.	
MATERIAL -		SIZE	CAGE CODE	DRAWING NO	RESTRICTED TO
		A3	00779	C-2129276	-
CUSTOMER DRAWING			SCALE	SHEET	REV
			FREE	2 OF 2	A5

X-ON Electronics

Largest Supplier of Electrical and Electronic Components

Click to view similar products for [I/O Connectors](#) category:

Click to view products by [TE Connectivity](#) manufacturer:

Other Similar products are found below :

[571763P](#) [58098-0628](#) [72.250.1628.2](#) [72.250.2428.2](#) [74720-0505](#) [76.350.0729.0](#) [76871-1403](#) [FCN-244F080-G/1](#) [FCN-260A9920](#) [PCR-E36PM](#) [PCS-XE26MA+](#) [G38A71314B](#) [1571250010](#) [157-22500-3](#) [MS3471L14-19P L/C](#) [172501-4002](#) [172501-6002](#) [FCN-260C008-A/L0](#) [FCN-260C024-AL0](#) [FCN-261Z008](#) [2000314-1](#) [200331-1](#) [PCR-E36FC+](#) [PCS-E28FS+](#) [PCS-XE26SLFD+](#) [PCS-XE26SLFDT+](#) [G730VID08BDC24](#) [U90B2054081210](#) [38113800006](#) [DP3AR020WQ1R200](#) [Z4.102.0680.0](#) [500-1040](#) [500-1052](#) [500-1054](#) [ZP-4008-66L](#) [0709821002](#) [DX40-20P\(55\)](#) [5554841-1](#) [MS3474W18-8P-LC*](#) [U90B3054061110](#) [U65-E04-4020](#) [ZPF000000000097891](#) [747360449](#) [10099439-003C-TRLF](#) [10137239-0021LF](#) [E9320-001-01](#) [10137239-0011LF](#) [70289-001LF](#) [70.060.1028.0](#) [109029-ZZ](#)