



4

3

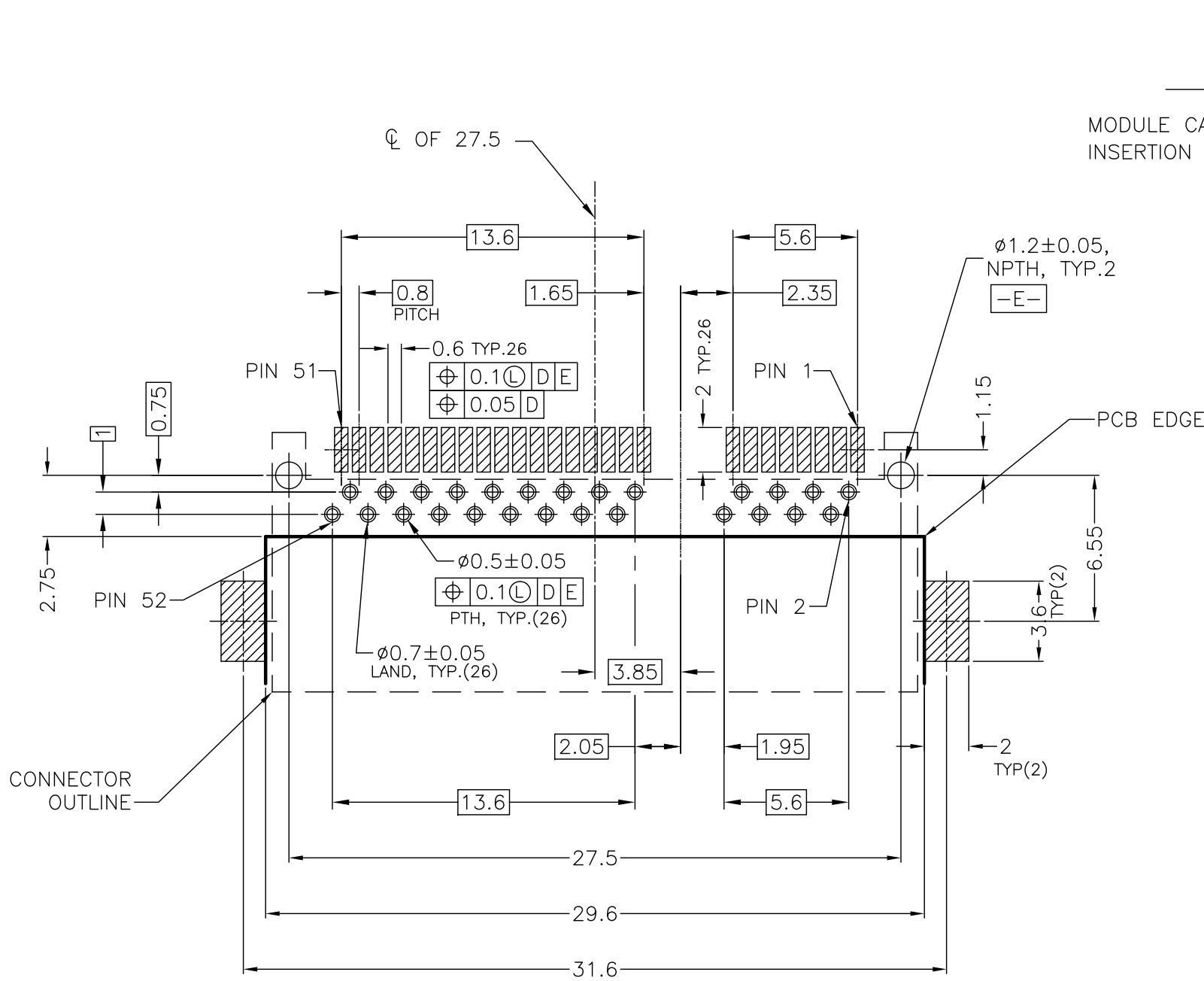
2

1

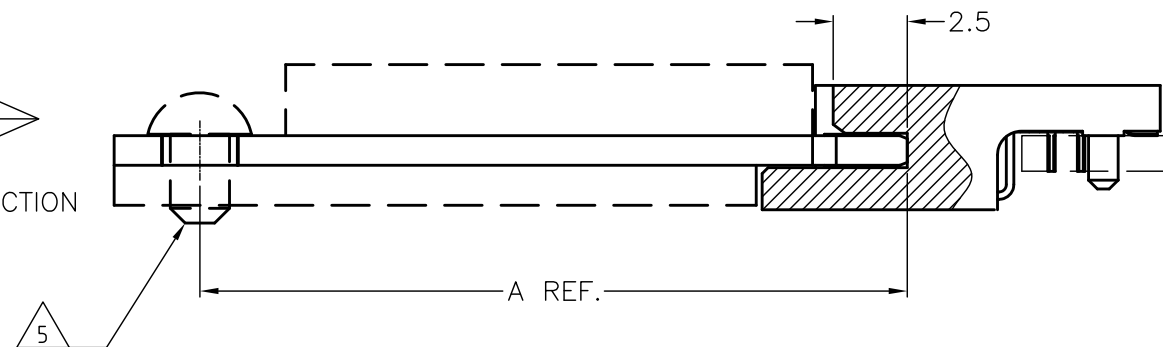
THIS DRAWING IS UNPUBLISHED. RELEASED FOR PUBLICATION  
 © COPYRIGHT - By - ALL RIGHTS RESERVED.

LOC	DIST	REVISIONS			
P	LTR	DESCRIPTION	DATE	DWN	APVD
		SEE SHEET 1	-	-	-

4.  $\square$ -D- $\square$  IS THE TOP SURFACE OF PCB.  
 5.  $\triangle$  SCREWS ARE PREPARED BY CUSTOMER.



MODULE CARD  
 INSERTION DIRECTION



HALF MINI CARD	23.9
FULL MINI CARD	48.05
DIMENSION	A

RECOMMENDED P.C.BOARD LAYOUT  
 (COMPONENT SIDE)  
 TOLERANCE:±0.05

THIS DRAWING IS A CONTROLLED DOCUMENT.		DWN		<b>STE</b> TE Connectivity			
DIMENSIONS: mm		CHK					
TOLERANCES UNLESS OTHERWISE SPECIFIED:		APVD		NAME			
0 PLC ± 0.05		PRODUCT SPEC		MINICARD CONNECTOR OFFSET MOUNT TYPE			
1 PLC ± 0.05		APPLICATION SPEC					
2 PLC ± 0.05		WEIGHT		SIZE	CAGE CODE	DRAWING NO	RESTRICTED TO
3 PLC ± 0.05		CUSTOMER DRAWING		A3	00779	C-2129318	
4 PLC ± 0.05		SCALE		4:1		SHEET	
ANGLES ± 1°		SHEET		2 OF 3		REV	
FINISH		REV		A			

4

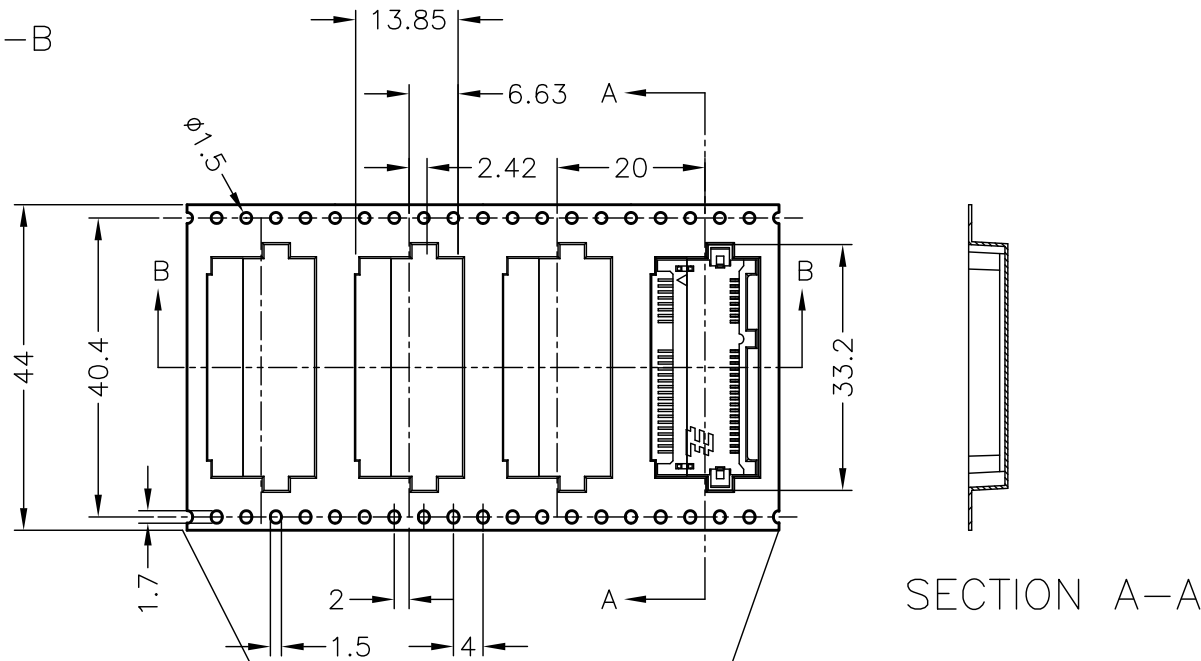
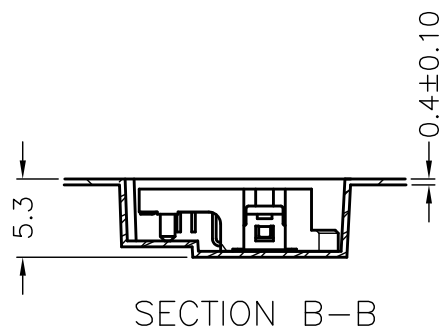
3

2

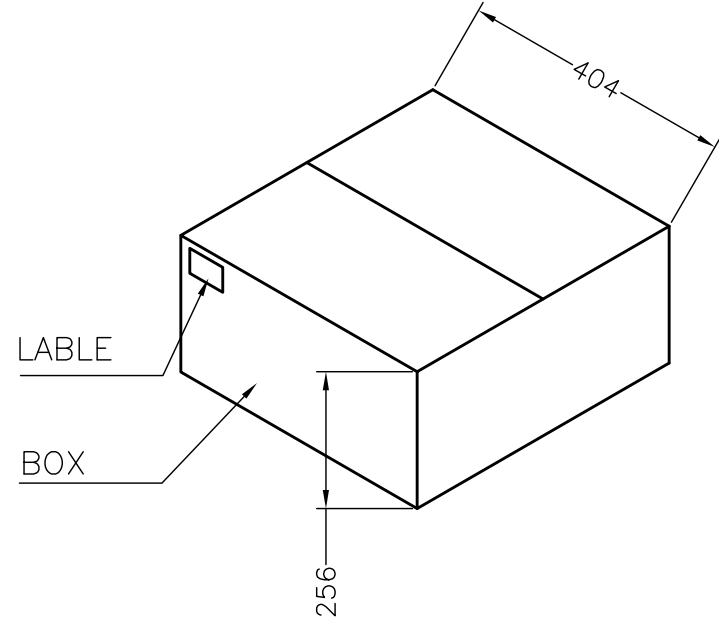
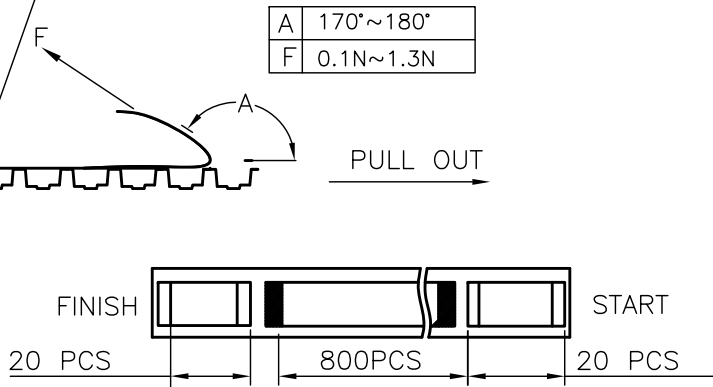
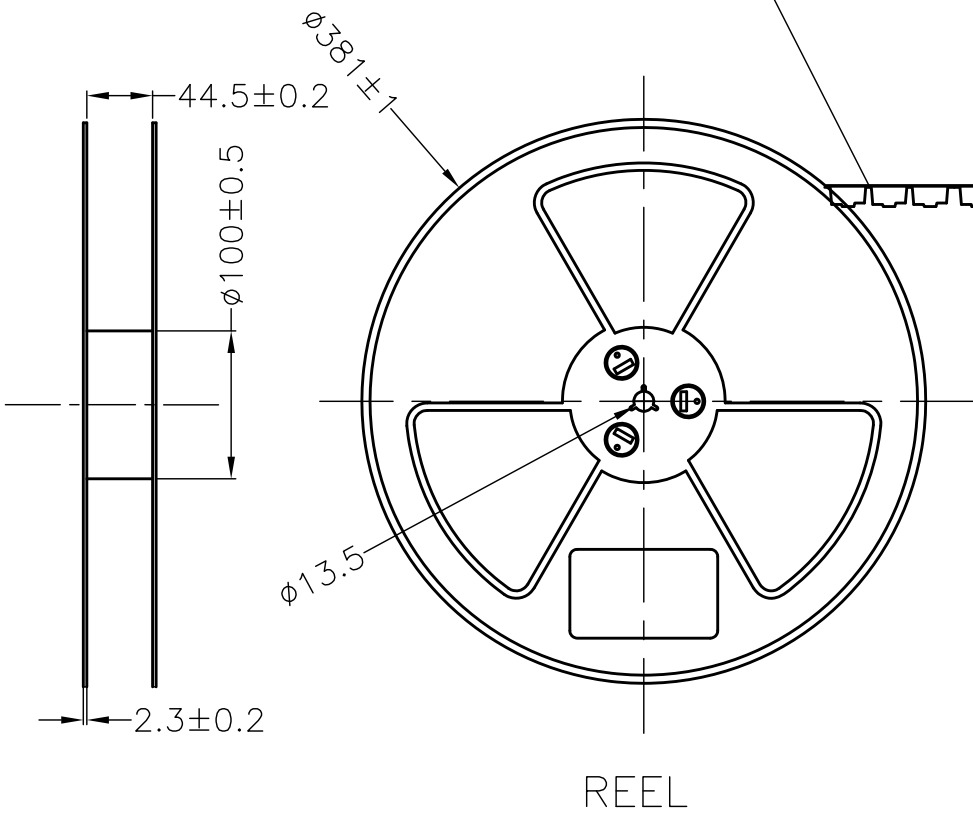
1

THIS DRAWING IS UNPUBLISHED. RELEASED FOR PUBLICATION  
 © COPYRIGHT By - ALL RIGHTS RESERVED.

LOC	DIST	REVISIONS					
DW		P	LTR	DESCRIPTION	DATE	DWN	APVD
		-	-	SEE SHEET 1	-	-	-



- 6. MATERIAL :
  - 6.1 REEL: PS(RoHS) BLUE.
  - 6.2 COVER TAPE: PE
  - 6.3 SHIPPING BOX: CORRUGATED FIBER
- 7. QUANTITY :
  - 7.1 PRIMARY PACKING: 800 PCS/REEL
  - 7.2 SECONDARY PACKING: 3 REELS(2400PCS)/BOX
- 8. PEELING RESISTANCE: SEE TABLE
- 9. PEELING SPEED: 300mm/MINUTES.



THIS DRAWING IS A CONTROLLED DOCUMENT.		DWN		TE Connectivity	
DIMENSIONS: mm		CHK			
TOLERANCES UNLESS OTHERWISE SPECIFIED:		APVD		NAME	
0 PLC ± 0.25 1 PLC ± 0.25 2 PLC ± 0.25 3 PLC ± 0.25 4 PLC ± 0.25 ANGLES ± 3°		PRODUCT SPEC		MINICARD CONNECTOR OFFSET MOUNT TYPE	
MATERIAL		FINISH		APPLICATION SPEC	
				SIZE CAGE CODE DRAWING NO RESTRICTED TO	
				A3 C-2129318	
		WEIGHT		SCALE 4:1 SHEET 3 OF 3 REV A	
		CUSTOMER DRAWING			

## X-ON Electronics

Largest Supplier of Electrical and Electronic Components

*Click to view similar products for te connectivity manufacturer:*

Other Similar products are found below :

[570416-000](#) [CLTEQ-M81CE-SSRELAY-4-20V](#) [4-1633138-8](#) [D38999/24FJ4AN](#) [4-1195131-0](#) [650069-000](#) [SMD100-2](#) [2EDL4CM](#)  
[DTS20W19-11PD-3028](#) [DTS20W19-11PD-3028-LC](#) [DTS20W19-32SD-3028-LC](#) [DTS20W19-32SD-3028](#) [NC6-P104-06](#) [TXR64AB90-](#)  
[3616AI](#) [DTS26F21-41HE](#) [DTS26F21-41AE](#) [DTS26F21-41PE-LC](#) [DTS26F21-11SE-3028-LC](#) [D38999/24WF32JE](#) [D38999/24WF32SE-LC](#)  
[DTS24W19-32HE](#) [D38999/20JB35HA](#) [D38999/24WJ20PA](#) [164-8033-08](#) [D38999/24FF32JE](#) [D38999/24FF32SE-LC](#) [D38999/24WF32JB](#)  
[D38999/24WG11HA](#) [D38999/24WG11HN](#) [MS27467T21F11H](#) [DJT16E21-11HA](#) [DTS24F19-32HE](#) [DTS20W19-32SA-3028-LC](#) [DTS24F19-](#)  
[11SC-3028-LC](#) [DTS24F19-11SC-3028](#) [DJT14E13-98HB](#) [D38999/20WC8BB](#) [1-330599-5](#) [DTS24F21-41HN-LC](#) [DTS24F21-41HN](#)  
[DTS24F21-41AN](#) [DTS24F21-39HN](#) [DTS24F21-41PN-LC](#) [AFD50-10-6SN-1A-LC](#) [DJT10F17-26HC](#) [DTS24W19-32HB](#) [ACT20JE99HA](#)  
[DJT10E17-26HC](#) [DJT10E17-26HN](#) [DJT10F17-26HA](#)