

4

3

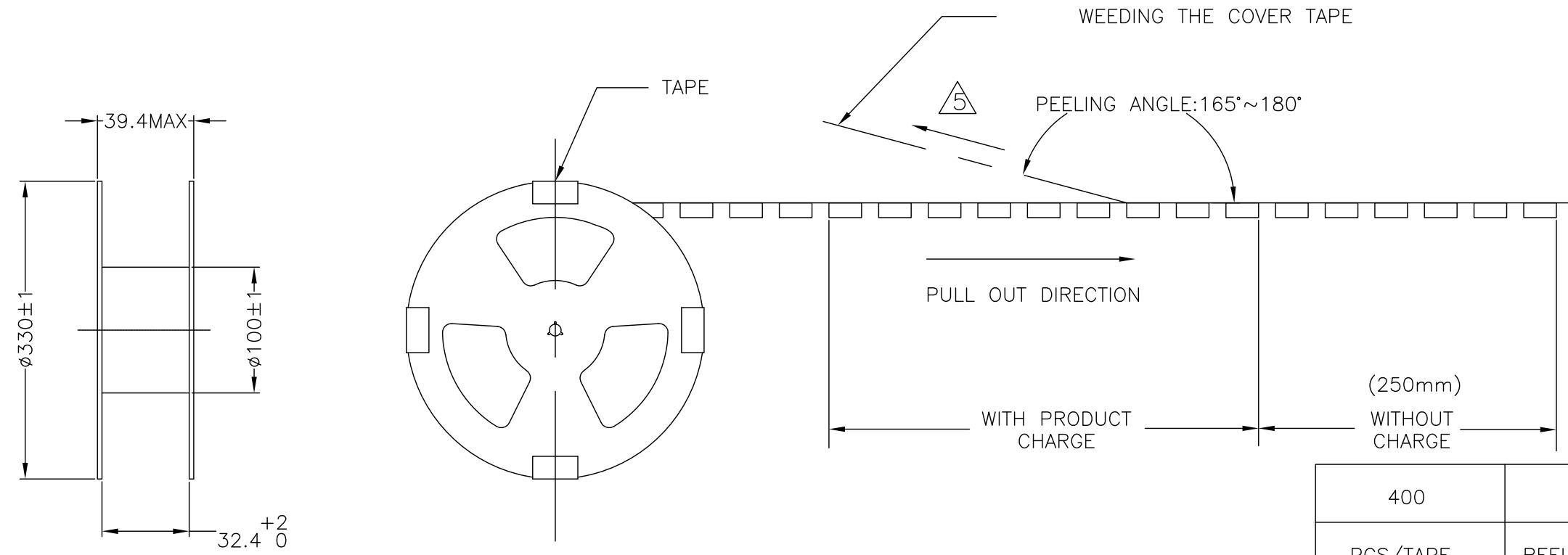
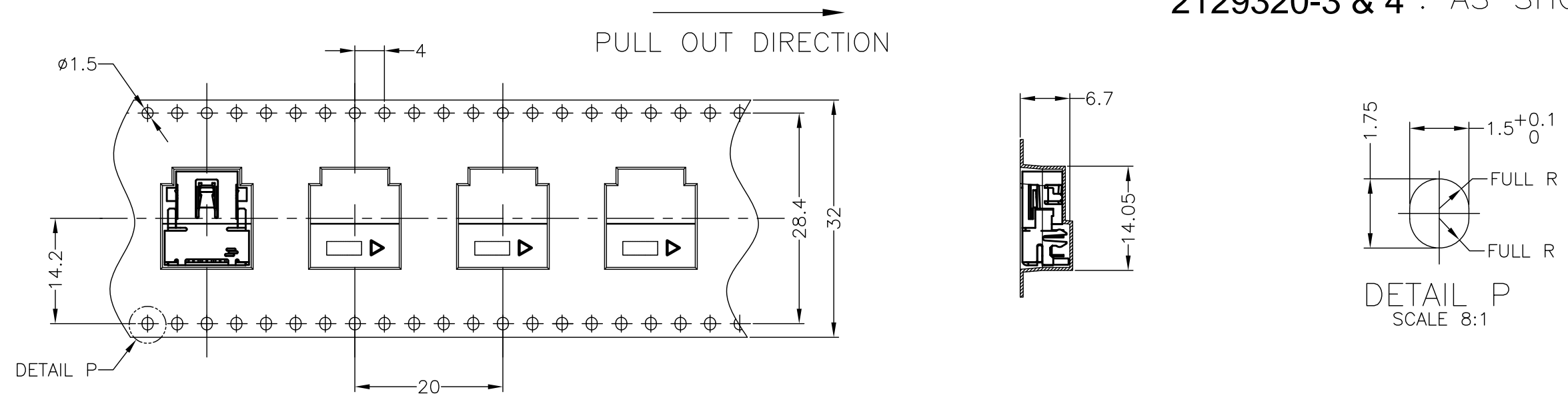
2

1

THIS DRAWING IS UNPUBLISHED. RELEASED FOR PUBLICATION
 © COPYRIGHT - By - ALL RIGHTS RESERVED.

LOC	DIST	REVISIONS					
DW		P	LTR	DESCRIPTION	DATE	DWN	APVD
		D1		REVISED (ECR-19-015854)		J.L	H.K

2129320-3 & 4 : AS SHOWN



400	8	3200
PCS/TAPE	REELS/CARTON	TOTAL Q'TY

THIS DRAWING IS A CONTROLLED DOCUMENT.		DWN	V.PENG	02SEP2011	 TE Connectivity											
DIMENSIONS: mm		CHK	M.CHAO	02SEP2011												
TOLERANCES UNLESS OTHERWISE SPECIFIED:		APVD	H.KODAMA	02SEP2011												
<table border="1"> <tr><td>0 PLC</td><td>±</td></tr> <tr><td>1 PLC</td><td>±</td></tr> <tr><td>2 PLC</td><td>±</td></tr> <tr><td>3 PLC</td><td>±</td></tr> <tr><td>4 PLC</td><td>±</td></tr> <tr><td>ANGLES</td><td>±3</td></tr> </table>		0 PLC	±	1 PLC		±	2 PLC	±	3 PLC	±	4 PLC	±	ANGLES	±3	PRODUCT SPEC	
0 PLC	±															
1 PLC	±															
2 PLC	±															
3 PLC	±															
4 PLC	±															
ANGLES	±3															
MATERIAL SEE NOTE 1		APPLICATION SPEC		MINI DISPLAYPORT RECEPTACLE CONNECTOR 4 ROW TH, REVERSED, OFFSET TYPE												
FINISH		WEIGHT		SIZE	RESTRICTED TO											
CUSTOMER DRAWING		A3		CAGE CODE	00779											
		DRAWING NO		C-2129320												
		SCALE		NONE												
		SHEET		1 of 5												
		REV		D1												

4

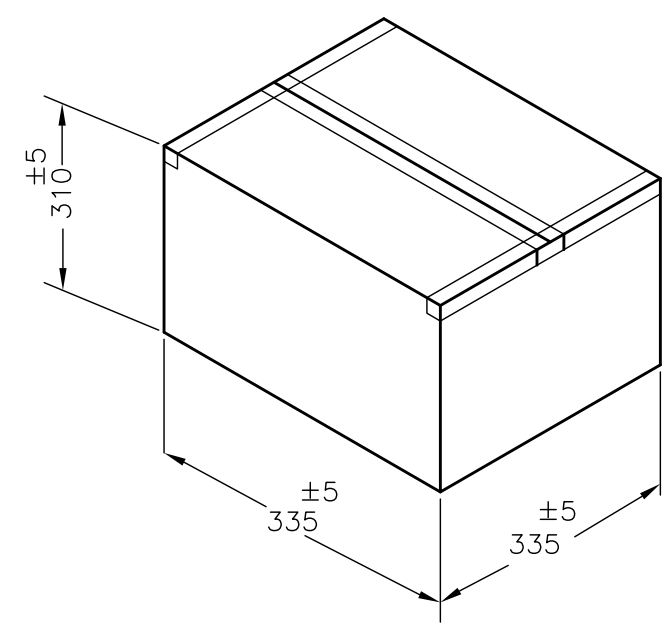
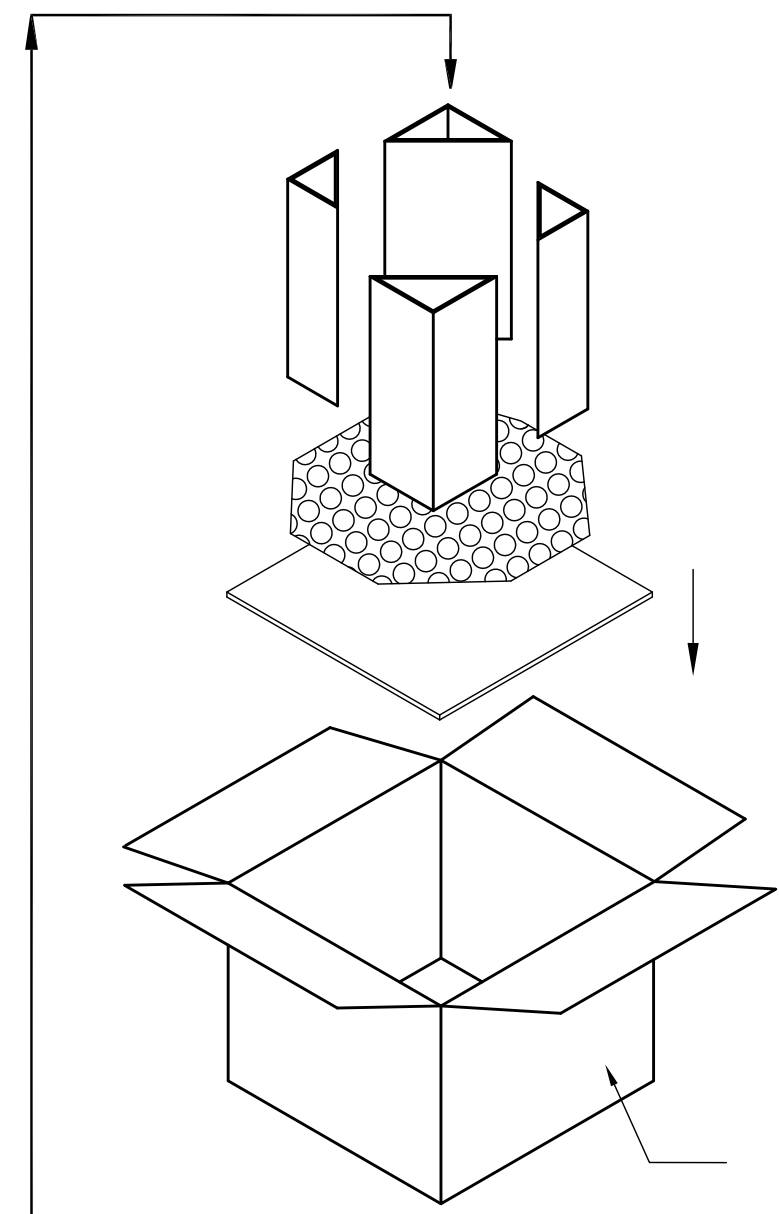
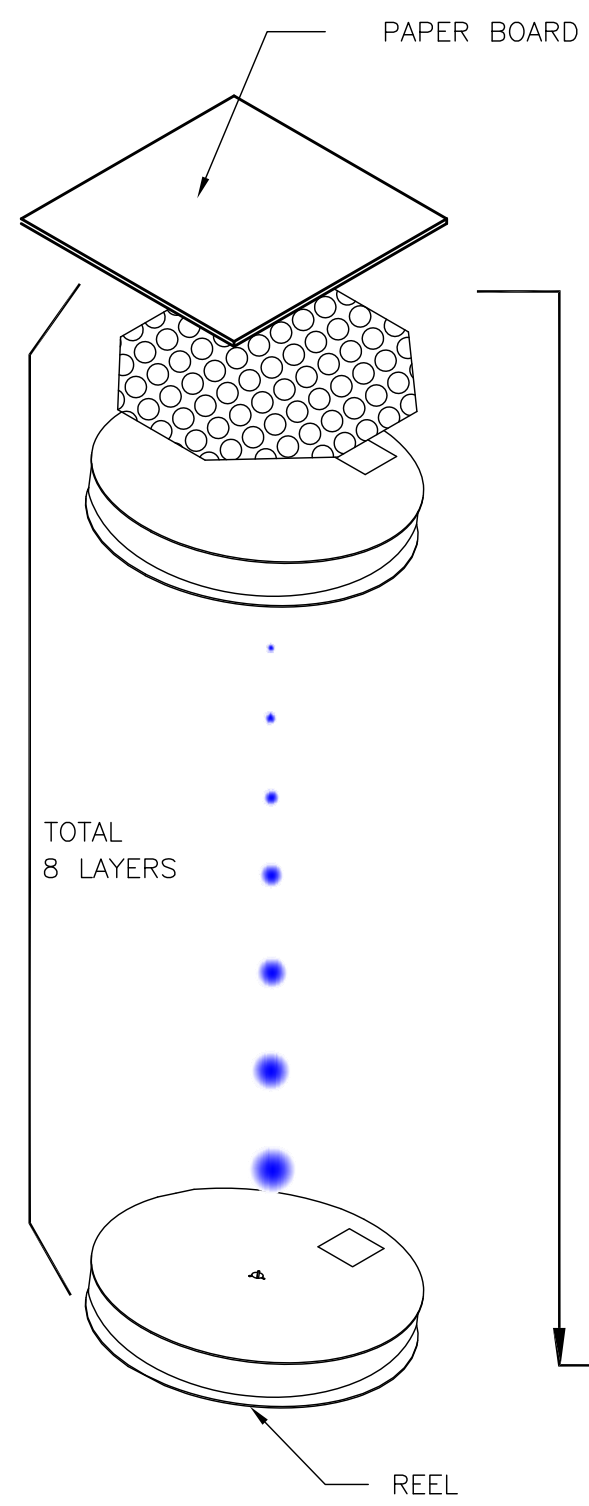
3

2

1

THIS DRAWING IS UNPUBLISHED. RELEASED FOR PUBLICATION - , - .
 © COPYRIGHT - By - ALL RIGHTS RESERVED.

LOC	DIST	REVISIONS			
P	LTR	DESCRIPTION	DATE	DWN	APVD
		SEE SHEET 1	-	-	-



1. PACKING MATERIAL :
 - 1.1 REEL: PS(RoHS) BLUE.
 - 1.2 COVER TAPE: PET,
 - 1.3 SHIPPING CARTON: CORRUGATED FIBER
2. DIMENSION :
 - 2.1 REEL: W=44.5, DIA=330
 - 2.2 SHIPPING CARTON: L=335, W=335, H=310
3. QUANTITY :
 - 3.1 PRIMARY PACKING: 400 PCS/REEL
 - 3.2 SECONDARY PACKING: 8 REELS(3200 PCS)/CARTON
4. WEIGHT :
 - 4.1 NET WEIGHT : 1.23g/PCS, 0.49Kg/REEL, 3.93Kg/CARTON.
 - 4.2 GROSS WEIGHT: 7.83 Kg/CARTON.
5. PEELING RESISTANCE: 0.1~0.7N (10.2gf~71.4gf).
6. PEELING SPEED: 300mm/MINUTES.

THIS DRAWING IS A CONTROLLED DOCUMENT.		DWN		TE Connectivity	
DIMENSIONS: mm		CHK			
TOLERANCES UNLESS OTHERWISE SPECIFIED: 0 PLC ± 1 PLC ± 2 PLC ± ±0.25 3 PLC ± 4 PLC ± ANGLES ±3		APVD		NAME	
MATERIAL SEE NOTE 1		PRODUCT SPEC		MINI DISPLAYPORT RECEPTACLE CONNECTOR	
		APPLICATION SPEC		4 ROW TH, REVERSED, OFFSET TYPE	
		WEIGHT		SIZE	CAGE CODE
		CUSTOMER DRAWING		A3	00779
				DRAWING NO	RESTRICTED TO
				C-2129320	
				SCALE	SHEET
				NONE	2 OF 5
				REV	D1

4

3

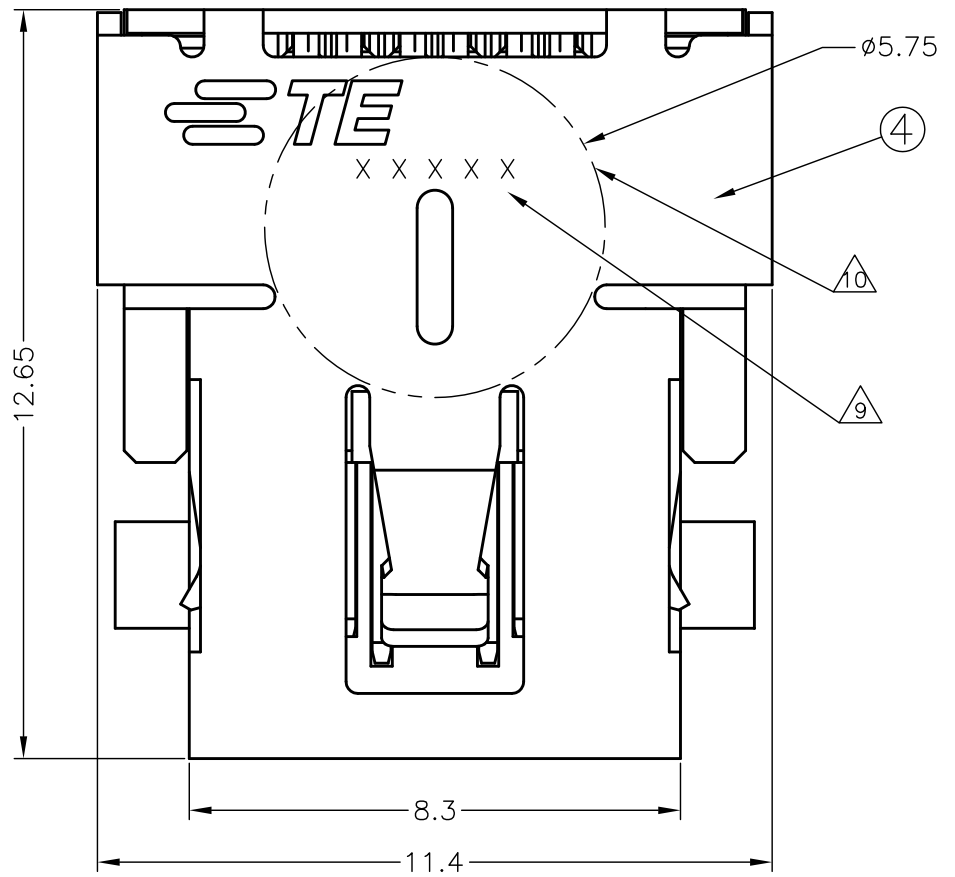
2

1

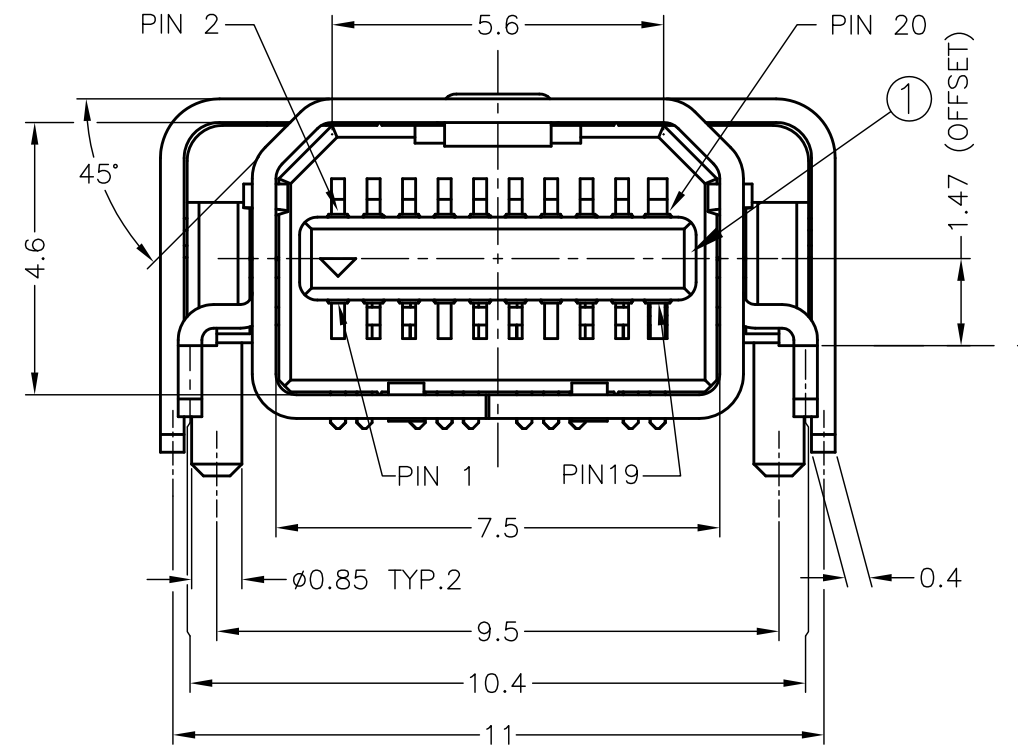
THIS DRAWING IS UNPUBLISHED. RELEASED FOR PUBLICATION
 © COPYRIGHT - By - ALL RIGHTS RESERVED.

LOC	DIST	REVISIONS				
P	LTR	DESCRIPTION	DATE	DWN	APVD	
DW		SEE SHEET 1	-	-	-	

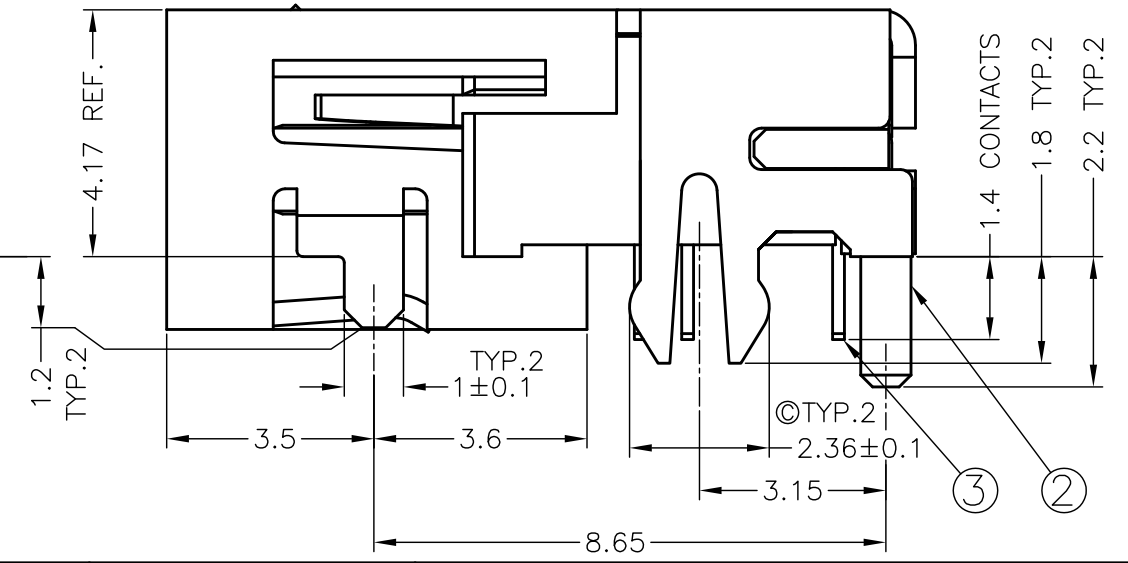
2129320-3 : AS SHOWN



- MATERIAL:**
- ① HOUSING: HIGH TEMPERATURE THERMAL PLASTIC, BLACK, UL94V-0.
 - ② TINE PLATE: HIGH TEMPERATURE THERMAL PLASTIC, BLACK, UL94V-0.
 - ③ CONTACT: COPPER ALLOY.
 - ④ SHELL: STAINLESS STEEL.
- FINISH:**
- CONTACT:**
- CONTACT AREA: Au PLATING 0.38 um
 - SOLDER TAIL AREA: MATTE TIN PLATING
 - UNDER PLATING: NICKEL PLATING OVERALL
- SHELL:**
- MATTE TIN PL. ALL OVER
 - NICKEL UNDERPLATING ALL OVER
- DATE CODE**
- PICK & PLACE VACUUM AREA**
11. LOW HALOGEN SPECIFICATION
- CHLORINE(Cl) : 900 ppm MAX.
 - BROMINE(Br) : 900 ppm MAX.



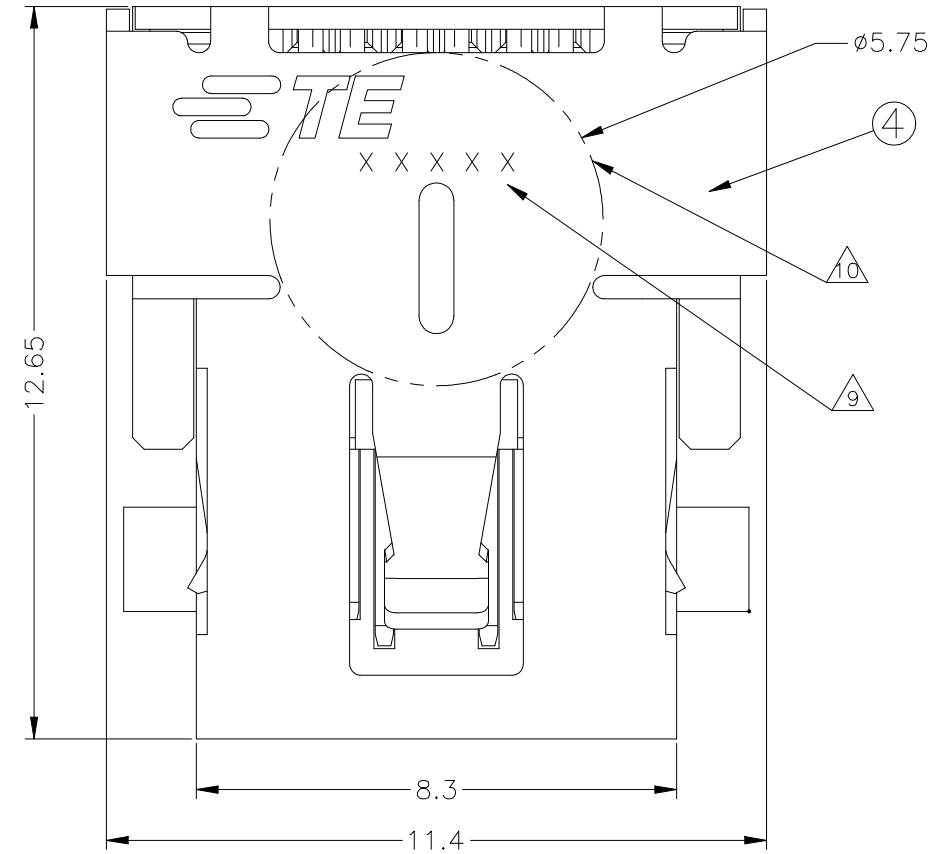
MOUNTING SURFACE



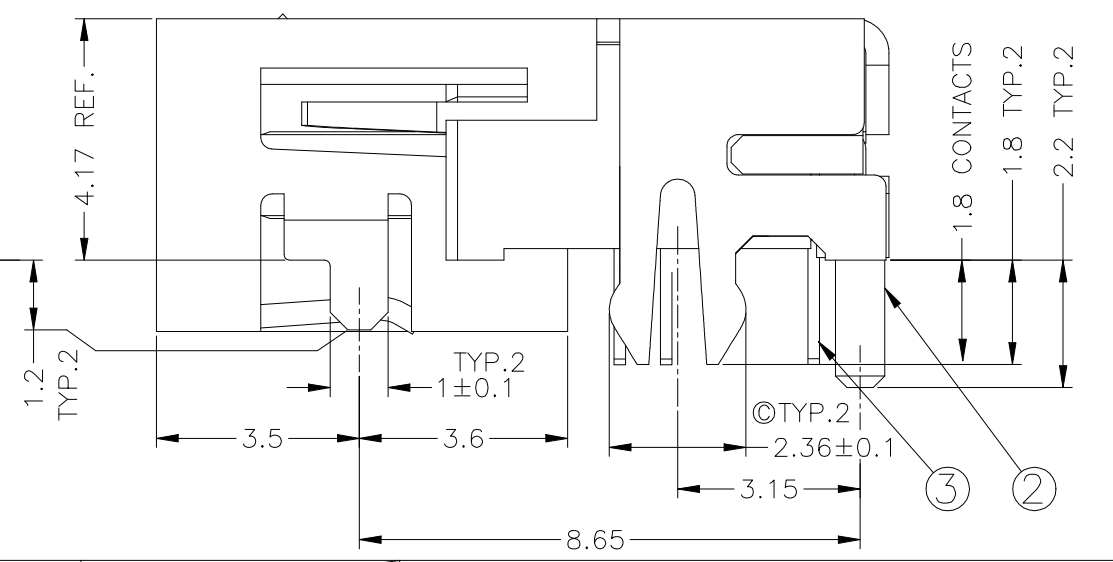
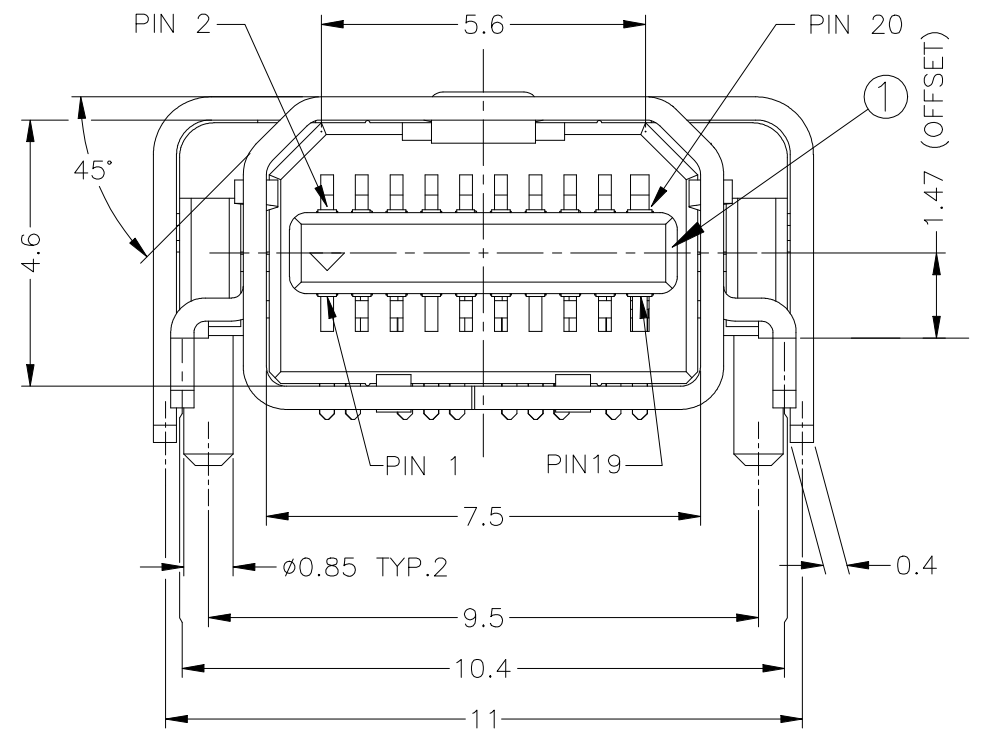
THIS DRAWING IS A CONTROLLED DOCUMENT.		DWN		TE Connectivity	
DIMENSIONS: mm		CHK			
TOLERANCES UNLESS OTHERWISE SPECIFIED:		APVD		NAME	
0 PLC ± 1 PLC ± 2 PLC ± ±0.25 3 PLC ± 4 PLC ± ANGLES ±3		PRODUCT SPEC		MINI DISPLAYPORT RECEPTACLE CONNECTOR	
MATERIAL SEE NOTE 7		FINISH SEE NOTE 8		4 ROW TH, REVERSED, OFFSET TYPE	
		APPLICATION SPEC		SIZE CAGE CODE DRAWING NO RESTRICTED TO	
		WEIGHT		A3 00779 C-2129320	
		CUSTOMER DRAWING		SCALE 8:1 SHEET 3 OF 5 REV D1	

LOC DW	DIST	REVISIONS		
P	LTR	DESCRIPTION	DATE	DWN
-	-	SEE SHEET 1	-	-

2129320-4 : AS SHOWN



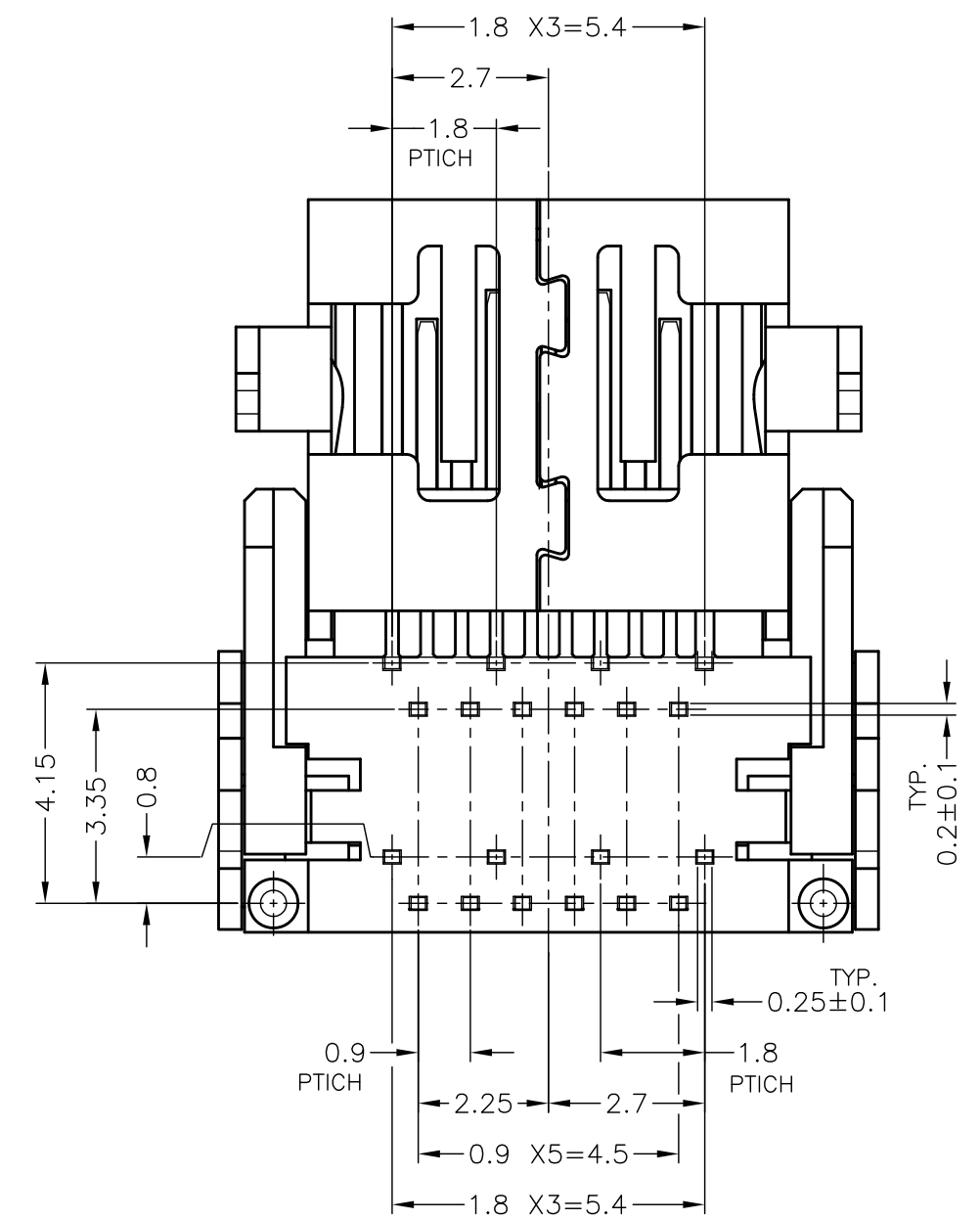
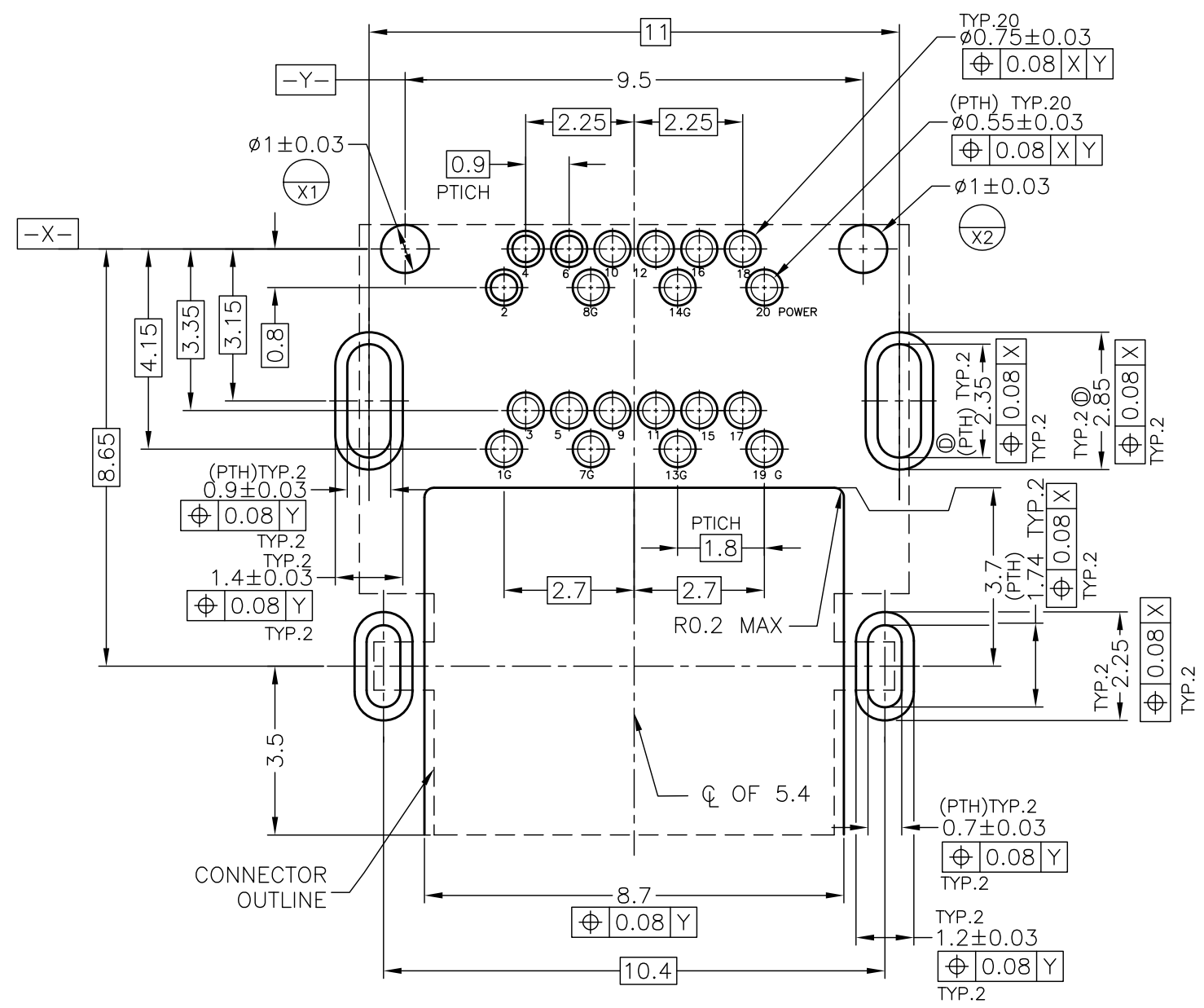
- MATERIAL:**
- ① HOUSING: HIGH TEMPERATURE THERMAL PLASTIC, BLACK, UL94V-0.
 - ② TINE PLATE: HIGH TEMPERATURE THERMAL PLASTIC, BLACK, UL94V-0.
 - ③ CONTACT: COPPER ALLOY.
 - ④ SHELL: STAINLESS STEEL.
- FINISH:**
- CONTACT:
- CONTACT AREA: Au PLATING 0.38 um
 - SOLDER TAIL AREA: MATTE TIN PLATING
 - UNDER PLATING: NICKEL PLATING OVERALL
- SHELL:
- MATTE TIN PL. ALL OVER
 - NICKEL UNDERPLATING ALL OVER
- DATE CODE**
- PICK & PLACE VACUUM AREA**
11. LOW HALOGEN SPECIFICATION
 CHLORINE(Cl) : 900 ppm MAX.
 BROMINE(Br) : 900 ppm MAX.



THIS DRAWING IS A CONTROLLED DOCUMENT.		DWN																			
DIMENSIONS: mm		CHK																			
TOLERANCES UNLESS OTHERWISE SPECIFIED:		APVD																			
<table border="0"> <tr><td>0 PLC</td><td>±</td><td>-</td></tr> <tr><td>1 PLC</td><td>±</td><td>-</td></tr> <tr><td>2 PLC</td><td>±</td><td>-</td></tr> <tr><td>3 PLC</td><td>±</td><td>-</td></tr> <tr><td>4 PLC</td><td>±</td><td>-</td></tr> <tr><td>ANGLES</td><td>±</td><td>3</td></tr> </table>		0 PLC	±			-	1 PLC	±	-	2 PLC	±	-	3 PLC	±	-	4 PLC	±	-	ANGLES	±	3
0 PLC	±	-																			
1 PLC	±	-																			
2 PLC	±	-																			
3 PLC	±	-																			
4 PLC	±	-																			
ANGLES	±	3																			
MATERIAL	FINISH	PRODUCT SPEC	APPLICATION SPEC	MINI DISPLAYPORT RECEPTACLE CONNECTOR 4 ROW TH, REVERSED, OFFSET TYPE																	
SEE NOTE 7	SEE NOTE 8	WEIGHT	SIZE	CAGE CODE	DRAWING NO																
			A3	00779	C=2129320																
CUSTOMER DRAWING			SCALE	SHEET	REV																
			8:1	4 OF 5	D1																

THIS DRAWING IS UNPUBLISHED. RELEASED FOR PUBLICATION
 © COPYRIGHT - By - ALL RIGHTS RESERVED.

LOC	DIST	REVISIONS			
P	LTR	DESCRIPTION	DATE	DWN	APVD
DW		SEE SHEET 1	-	-	-



REFERENCE PCB LAYOUT
 MOUNTING SIDE VIEW (THICKNESS=1.2±0.1)
 TOLERANCE: ±0.05

THIS DRAWING IS A CONTROLLED DOCUMENT.		DWN		TE Connectivity	
DIMENSIONS: mm		CHK			
TOLERANCES UNLESS OTHERWISE SPECIFIED:		APVD		NAME	
0 PLC ± 1 PLC ± 2 PLC ± ±0.25 3 PLC ± 4 PLC ± ANGLES ±3 FINISH		PRODUCT SPEC		MINI DISPLAYPORT RECEPTACLE CONNECTOR	
MATERIAL		APPLICATION SPEC		4 ROW TH, REVERSED, OFFSET TYPE	
		WEIGHT		SIZE	RESTRICTED TO
		CUSTOMER DRAWING		A3	
				CAGE CODE	DRAWING NO
				00779	2129320
				SCALE	SHEET
				8:1	5 OF 5
				REV	D1

X-ON Electronics

Largest Supplier of Electrical and Electronic Components

Click to view similar products for [HDMI, Displayport & DVI Connectors](#) category:

Click to view products by [TE Connectivity](#) manufacturer:

Other Similar products are found below :

[1775247-3](#) [2-1932649-5](#) [30-1231](#) [30-528](#) [2069485-1](#) [30-504](#) [30-519](#) [30-542](#) [47648-2000](#) [2002-400](#) [769-103/021-000](#) [1932649-1](#) [233-368NFG6-17NH](#) [PJ-210A](#) [PJ-35825](#) [6321-026RDS1MWA02](#) [FDB0901-M0DB300K6KF](#) [3VD51203-3D6A-7H](#) [DV11201-H5R6-4F](#) [RPI-16337](#) [CC-MDPM-VGAM-6](#) [RPI-16338](#) [CCB-HDMIL-1.5M](#) [CCB-HDMIL-1M](#) [CCB-HDMIL-2M](#) [CCB-HDMIL-3M](#) [CCB-HDMIL-5M](#) [CCB-HDMIL-7.5M](#) [CCBP-HDMI-10M](#) [CCBP-HDMI-1M](#) [CCBP-HDMI-2M](#) [CCBP-HDMI-3M](#) [CCBP-HDMI-5M](#) [CCBP-HDMI-7.5M](#) [CCBP-HDMI8K-1M](#) [CCBP-HDMI8K-2M](#) [CCBP-HDMI8K-3M](#) [AK-AV-02](#) [AK-AV-03](#) [AK-AV-11](#) [AK-AV-13](#) [AK-AV-15](#) [CCP-MDP2-6](#) [CCP-MDPMDP2-6](#) [AK-HD-05A](#) [AK-HD-100A](#) [AK-HD-100P](#) [AK-HD-15P](#) [AK-HD-30A](#) [AK-HD-30P](#)