

THIS DRAWING IS UNPUBLISHED.

RELEASED FOR PUBLICATION

© COPYRIGHT - TE Connectivity Ltd.

ALL RIGHTS RESERVED.

REVISIONS

P	LTR	DESCRIPTION	DATE	DWN	APVD
	B1	REVISED PER ECR-19-002924	14MAR2019	R.Z	S.L

2129691-2 AS SHOWN

NOTES:

△MATERIAL:

- ① SHELL: STAINLESS STEEL
- ② SHELL BRACKET: STAINLESS STEEL
- ③ HOUSIGN: HIGH TEMPERATURE TUERMO PALASTIC ,BLACK, UL94V-0
- ④ UPPER CONTACT: COPPER ALLOY
- ⑤ LOWER CONTACT: COPPER ALLOY
- ⑥ MID-PLATE: STAINLESS STEEL

△FINISH:

CONTACT: ALL OVER NI PLATING(2.0UM)
 CONTACT AREA AU PLACTING(0.75UM)
 SOLDER AREA TIN PLATING(2.0UM)
 SHELL: ALL OVER NI PLATING(1.3UM),
 BRACKET: ALL OVER NI PLATING(1.3UM),
 MID-PLATE: ALL OVER NI PLATING(1.3UM).

△TE LOGO

△DATE CODE

:YYWWD**

ASSY LINE NOA,B,C,***

△VACUUM AREA

DAY SHIFT OR NIGHT SHIFT

D

D

C

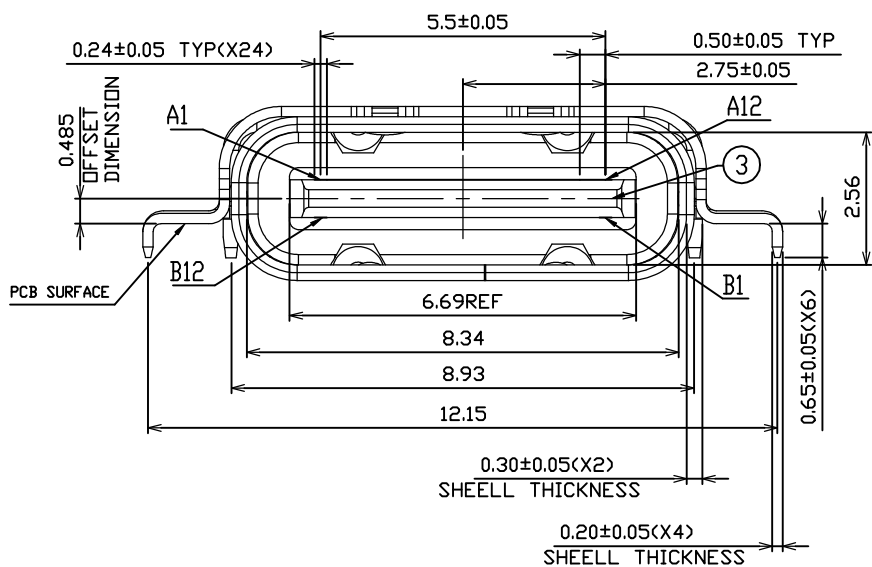
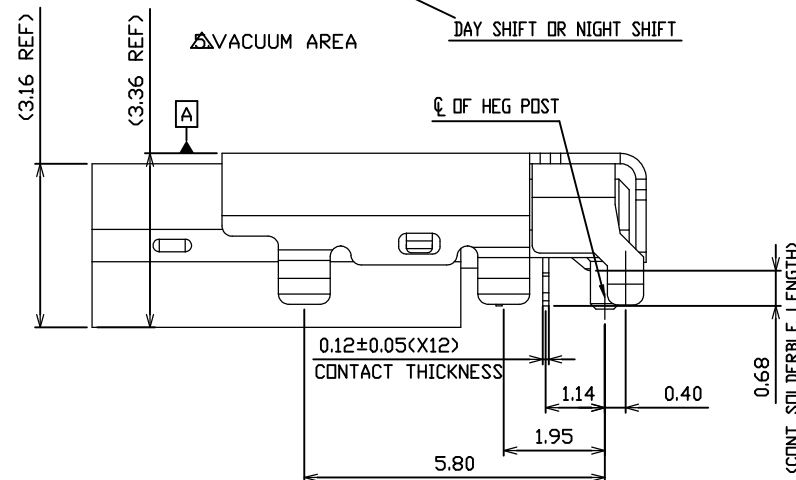
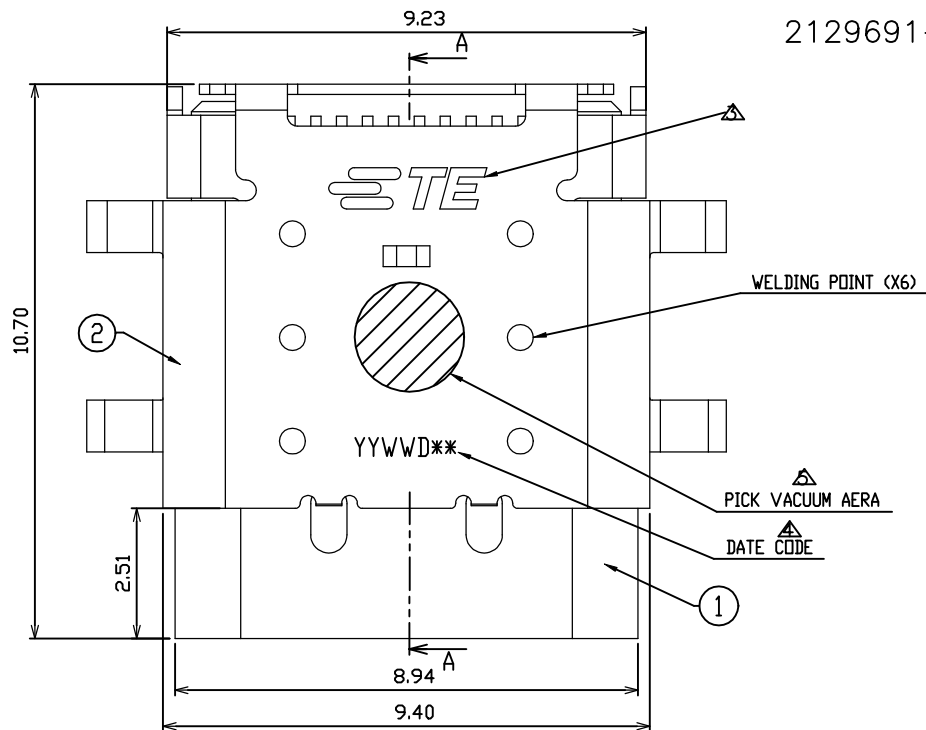
C

B

B

A

A



PIN NO.	A1	A2	A3	A4	A5	A6	A7	A8	A9	A10	A11	A12
SIGNAL NAME	GND	SSTxp1	SSTxm1	VBUS	CC1	Dp1	Dn1	SBU1	VBUS	SSRx2	SSRp2	GND
PIN NO.	B12	B11	B10	B9	B8	B7	B6	B5	B4	B3	B2	B1
SIGNAL NAME	GND	SSRx1	SSRx1	VBUS	SBU2	Dn2	Dp2	CC2	VBUS	SSTxm2	SSTxp2	GND

2129691-2

PART NUMBER

THIS DRAWING IS A CONTROLLED DOCUMENT.

DWN T.ZHU 26APR2018
 CHK S.LI 26APR2018
 APVD S.LI 26APR2018

TE Connectivity

NAME TYPE-C RECPTACLAE ASSEMBLY
 OFFSET 0.485MM HYBRID TYPE

PRODUCT SPEC 108-99061
 APPLICATION SPEC

SIZE A3 CAGE CODE G=2129691 DRAWING NO RESTRICTED TO

MATERIAL SEE NOTE FINISH SEE NOTE WEIGHT -

CUSTOMER DRAWING SCALE - SHEET 1 OF 4 REV B1

4

3

2

1

THIS DRAWING IS UNPUBLISHED.

RELEASED FOR PUBLICATION

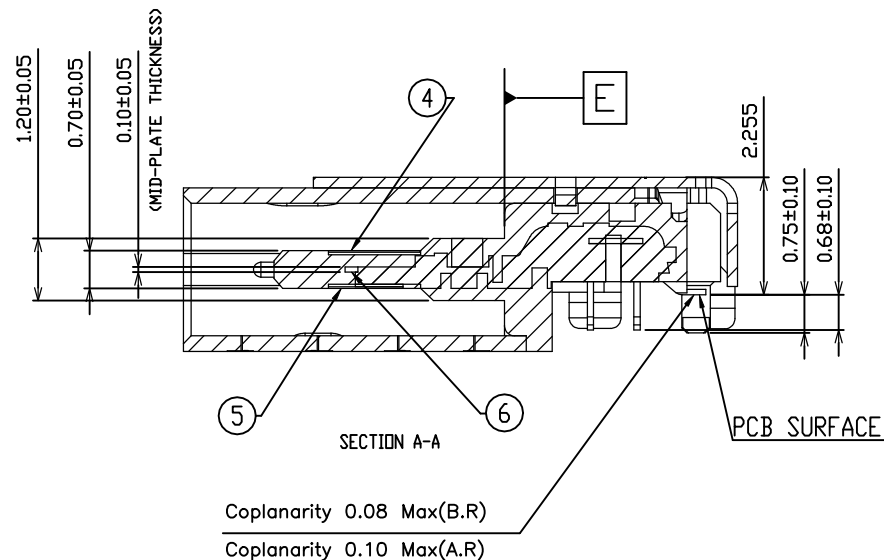
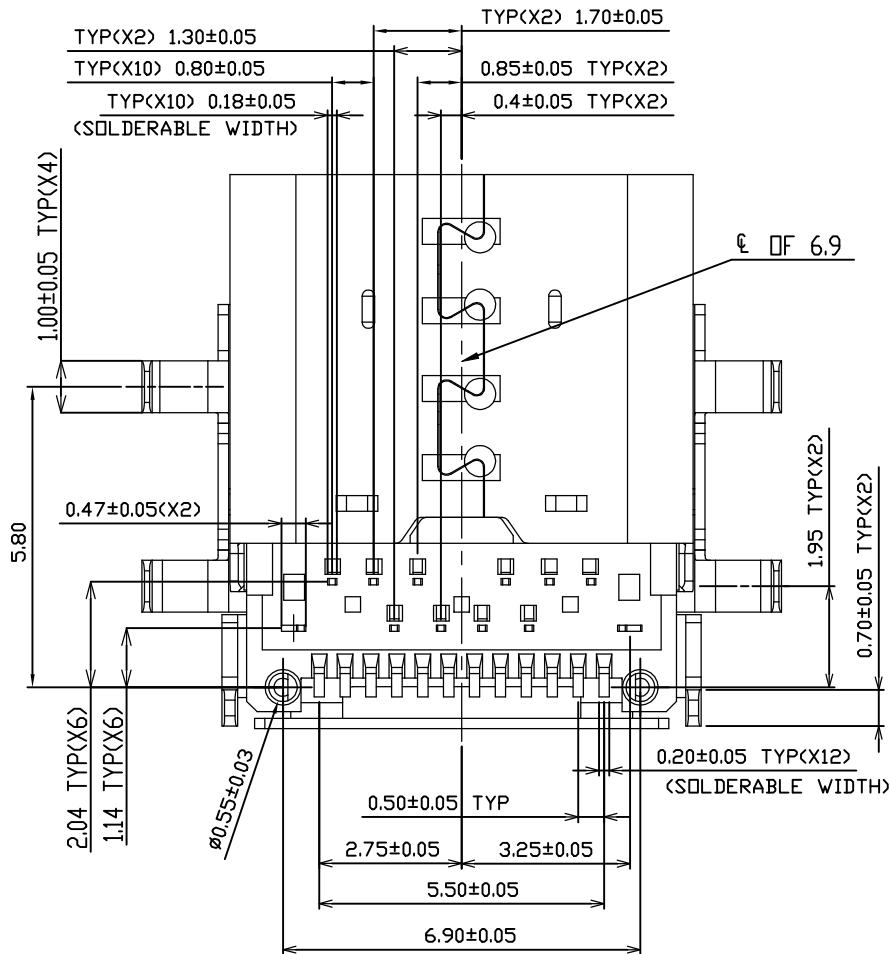
-. - .

© COPYRIGHT - TE Connectivity Ltd.

ALL RIGHTS RESERVED.

REVISIONS

P	LTR	DESCRIPTION	DATE	DWN	APVD
-	-	SEE SHEET 1	-	-	-



(GROUND PINS) SOLDERABLE WIDTH

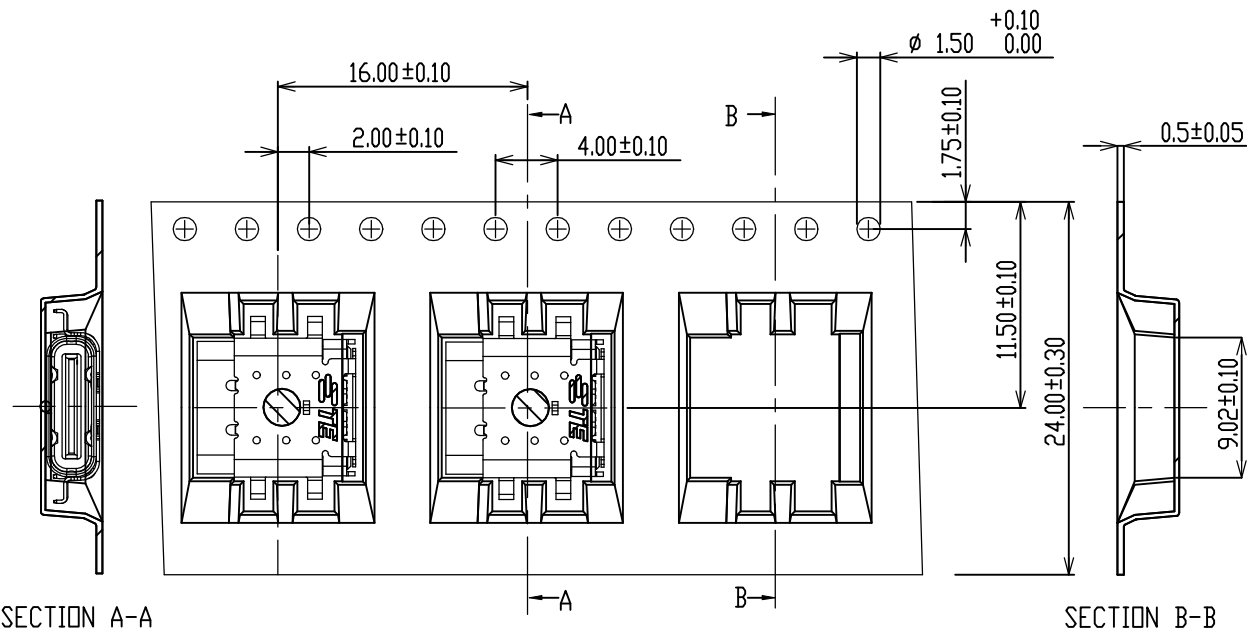
2129691-2

PART NUMBER

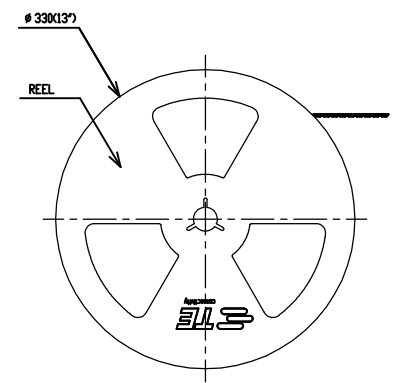
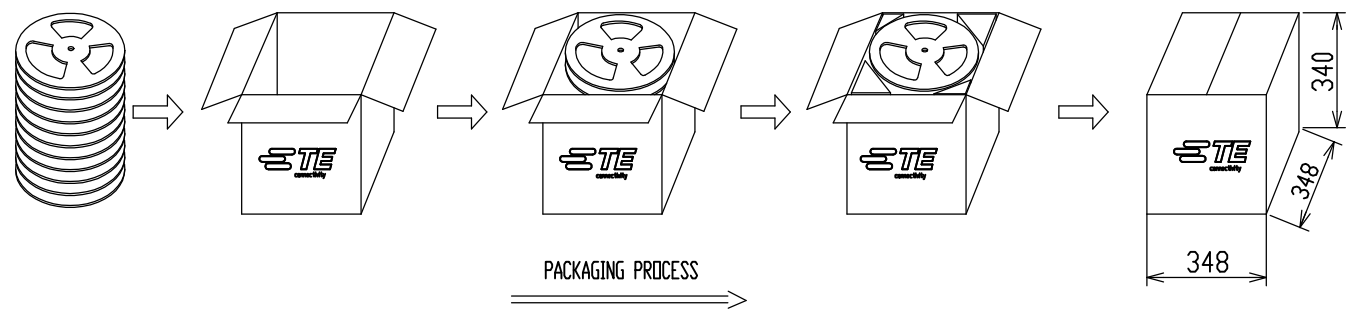
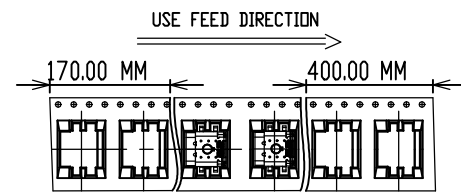
THIS DRAWING IS A CONTROLLED DOCUMENT.		DWN T.ZHU 26APR2018		
		CHK S.LI 26APR2018		
DIMENSIONS: mm		APVD S.LI 26APR2018	NAME TYPE-C RECPTACLAE ASSEMBLY OFFSET 0.485MM HYBRID TYPE	
TOLERANCES UNLESS OTHERWISE SPECIFIED: 0 PLC ± - 1 PLC ± 0.25 2 PLC ± 0.15 3 PLC ± 0.10 4 PLC ± - ANGLES ± 3°		PRODUCT SPEC 108-99061	RESTRICTED TO	
MATERIAL SEE NOTE		FINISH SEE NOTE	APPLICATION SPEC -	SIZE A3
		WEIGHT -	CAGE CODE C=2129691	DRAWING NO 2129691
		CUSTOMER DRAWING	SCALE -	SHEET 2 OF 4
				REV B1

THIS DRAWING IS UNPUBLISHED. RELEASED FOR PUBLICATION
 © COPYRIGHT - TE Connectivity Ltd. ALL RIGHTS RESERVED.

REVISIONS				
P	LTR	DESCRIPTION	DATE	APVD
-	-	SEE SHEET 1	-	-



- NOTES:
- 1.P/N:P-ZA-172309
 - 2.USED ON USB TYPE C RECEP.CONNECTOR PRODUCTS.
 - 3.PACKAGE:1000PCS/REEL,10REELS/BOX
 - 4.MATERIAL:TRANSPARENT CONDUCTIVE POLYSTYRENE ALLOY
 - 5.APPLICABLE DOCUMENTS:IEA-481-D
 - 6.AFTER UNREELING DIRECTION MUST HAVE 11PCS BLANK.(170mm Min)
 - 7.BEFORE UNREELING DIRECTION MUST HAVE 25PCS BLANK.(400mm Min)



2129691-2
PART NUMBER

THIS DRAWING IS A CONTROLLED DOCUMENT.		DWN T.ZHU 26APR2018	TE Connectivity TYPE-C RECPTACLAE ASSEMBLY OFFSET 0.485MM HYBRID TYPE	
DIMENSIONS: mm		CHK S.LI 26APR2018		
TOLERANCES UNLESS OTHERWISE SPECIFIED:		APVD S.LI 26APR2018	NAME	
0 PLC ± - 1 PLC ± 0.3 2 PLC ± 0.2 3 PLC ± 0.15 4 PLC ± - ANGLES ± 3°		PRODUCT SPEC 108-99061	SIZE A3	
MATERIAL SEE NOTE		FINISH SEE NOTE	APPLICATION SPEC -	CAGE CODE C=2129691
		WEIGHT -	DRAWING NO	RESTRICTED TO
		CUSTOMER DRAWING	SCALE -	SHEET 4 OF 4
				REV B1

X-ON Electronics

Largest Supplier of Electrical and Electronic Components

Click to view similar products for [USB Connectors](#) category:

Click to view products by [TE Connectivity](#) manufacturer:

Other Similar products are found below :

[65-647-8-BK-BU](#) [950](#) [952](#) [E8144-B01021-L](#) [A-USB B-TOP-C](#) [MUSBA511N5](#) [MUSBD11135](#) [217450-1](#) [KMBVX-TH-5S-B30](#) [896-30-004-00-000000](#) [KUSBVX-BS1N-W30](#) [KUSBX-AP-KIT-SCBLK](#) [KUSBX-AS2N-W](#) [KUSBX-SMT2AP1S-W](#) [KUSBX-SMT2AP1S-W30](#) [935](#) [957](#) [30-498-6](#) [17-210051](#) [1734082-1](#) [30-1574](#) [30-470](#) [30-489](#) [30-541](#) [30-572-3](#) [A-USB A-2P-C](#) [MIKROE-1451](#) [USBFTV2PEM2G](#) [USBFTVC6ZN](#) [KUSBX-AS2N-W30](#) [KUSBX-SLAS1N-W](#) [KUSBX-SMT-AS1N-W30](#) [4689-1](#) [1-1734084-2](#) [E8110-001-01](#) [33UBARS1-04SW11](#) [33UBAR-04SW11](#) [USBF21ZNSCC](#) [USBBFTV6ZC](#) [10135326-001LF](#) [USB-A-S-F-B-VT](#) [925](#) [4198](#) [690-024-633-031](#) [KUSBEX-BSFS1N-W](#) [USBFTVC6MRG](#) [UA-20BMFA-SL8001](#) [17-250101](#) [USBFTVC7ZC](#) [USBFTV75NF459](#)