

THIS DRAWING IS UNPUBLISHED.

RELEASED FOR PUBLICATION

ALL RIGHTS RESERVED.

© COPYRIGHT - TE Connectivity Ltd.

REVISIONS

P	LTR	DESCRIPTION	DATE	DWN	APVD
	B1	REVISED PER ECR-19-002924	14MAR2019	R.Z	S.L

2129691-2 AS SHOWN

NOTES:

△MATERIAL:

- ① SHELL: STAINLESS STEEL
- ② SHELL BRACKET: STAINLESS STEEL
- ③ HOUSING: HIGH TEMPERATURE THERMO PLASTIC ,BLACK, UL94V-0
- ④ UPPER CONTACT: COPPER ALLOY
- ⑤ LOWER CONTACT: COPPER ALLOY
- ⑥ MID-PLATE: STAINLESS STEEL

△FINISH:

CONTACT: ALL OVER NI PLATING(2.0UM)
 CONTACT AREA AU PLATING(0.75UM)
 SOLDER AREA TIN PLATING(2.0UM)
 SHELL: ALL OVER NI PLATING(1.3UM),
 BRACKET: ALL OVER NI PLATING(1.3UM),
 MID-PLATE: ALL OVER NI PLATING(1.3UM).

△TE LOGO

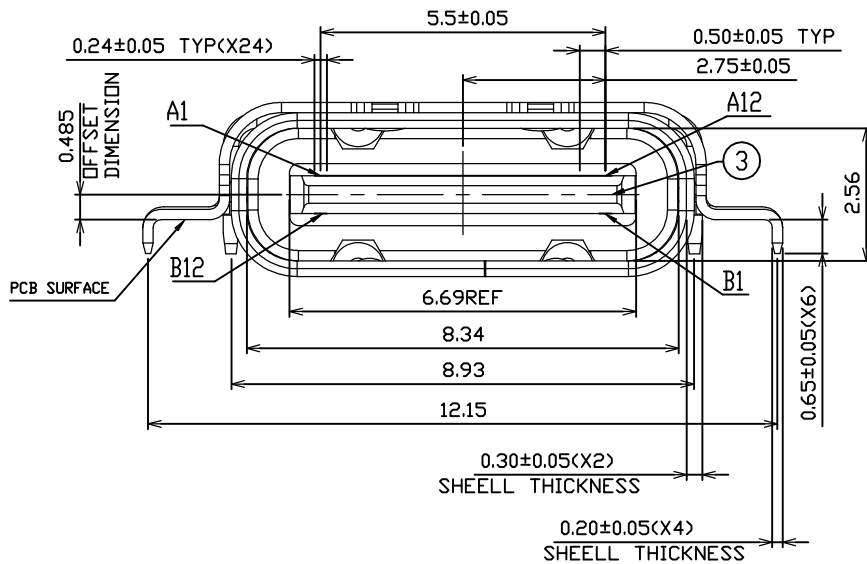
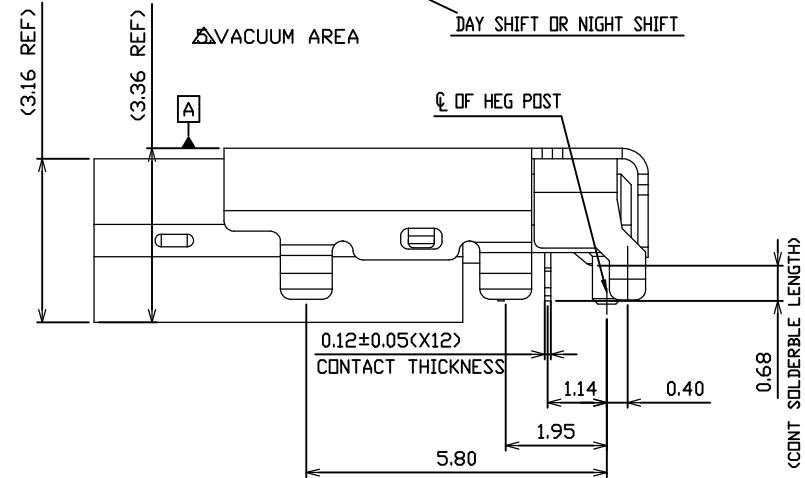
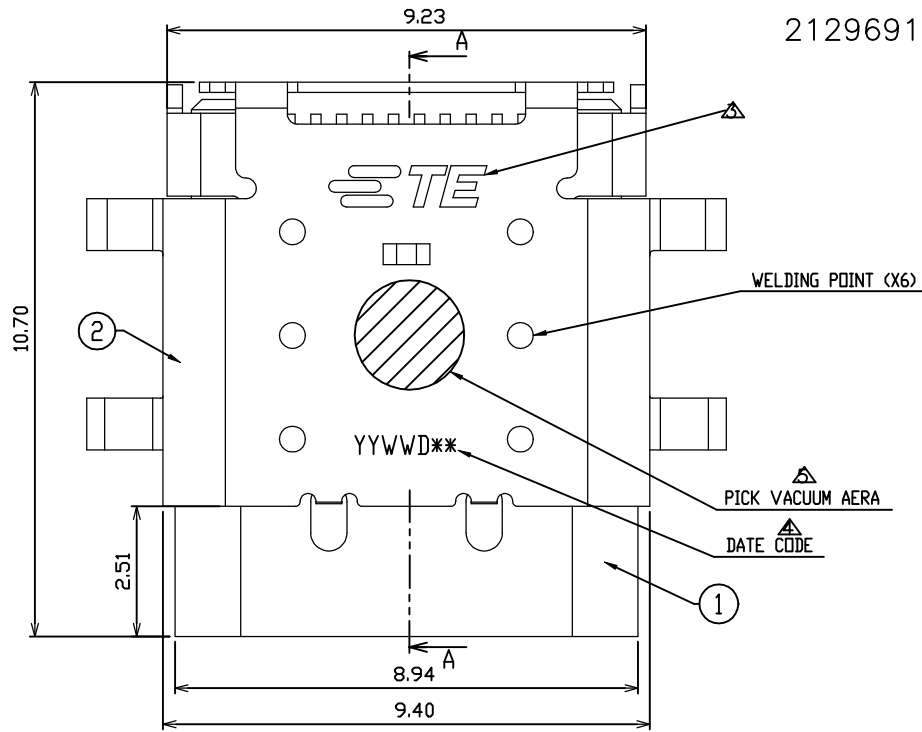
△DATE CODE

:YYWWD***

ASSY LINE NO.A,B,C,***

△VACUUM AREA

DAY SHIFT OR NIGHT SHIFT



PIN NO.	A1	A2	A3	A4	A5	A6	A7	A8	A9	A10	A11	A12
SIGNAL NAME	GND	SSTxp1	SSTxm1	VBUS	CC1	Dp1	Dn1	SBU1	VBUS	SSRx2	SSRp2	GND
PIN NO.	B12	B11	B10	B9	B8	B7	B6	B5	B4	B3	B2	B1
SIGNAL NAME	GND	SSRx1	SSRx1	VBUS	SBU2	Dn2	Dp2	CC2	VBUS	SSTxm2	SSTxp2	GND

2129691-2

PART NUMBER

THIS DRAWING IS A CONTROLLED DOCUMENT.

DWN T.ZHU 26APR2018

CHK S.LI 26APR2018

APVD S.LI 26APR2018

PRODUCT SPEC

108-99061

APPLICATION SPEC

WEIGHT -

CUSTOMER DRAWING

TE Connectivity

TYPE-C RECTANGULAR ASSEMBLY
OFFSET 0.485MM HYBRID TYPE

SIZE A3 CAGE CODE G=2129691 DRAWING NO RESTRICTED TO

SCALE - SHEET 1 OF 4 REV B1

THIS DRAWING IS UNPUBLISHED.

RELEASED FOR PUBLICATION

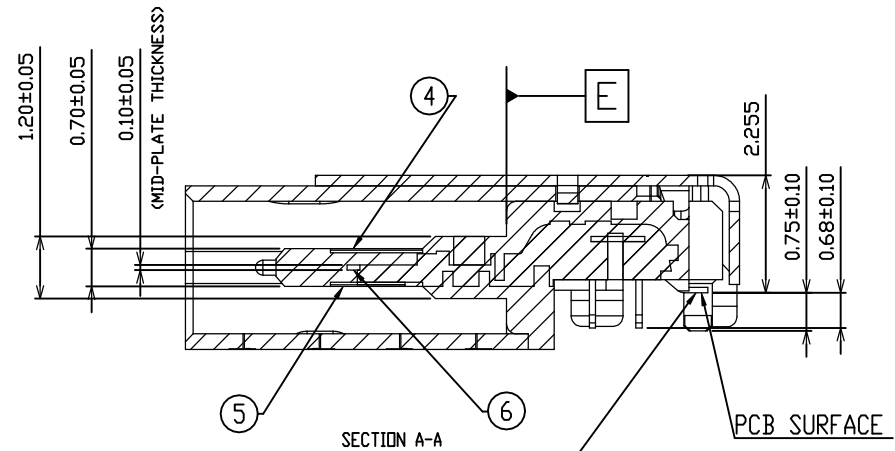
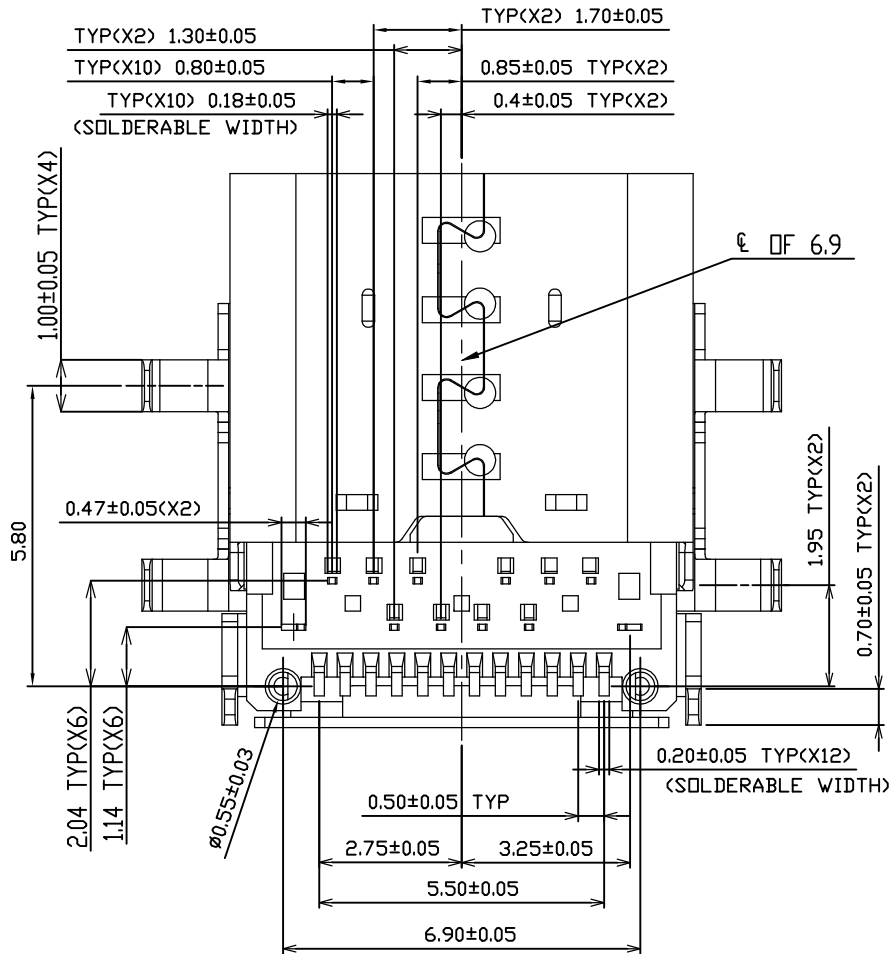
-. - .

© COPYRIGHT - TE Connectivity Ltd.

ALL RIGHTS RESERVED.

REVISIONS

P	LTR	DESCRIPTION	DATE	DWN	APVD
-	-	SEE SHEET 1	-	-	-



Coplanarity 0.08 Max(B.R)

Coplanarity 0.10 Max(A.R)

(GROUND PINS) SOLDERABLE WIDTH

2129691-2

PART NUMBER

THIS DRAWING IS A CONTROLLED DOCUMENT.

DWN T.ZHU 26APR2018

CHK S.LI 26APR2018

APVD S.LI 26APR2018

PRODUCT SPEC

108-99061

APPLICATION SPEC

WEIGHT -

CUSTOMER DRAWING



TYPE-C RECTACLAE ASSEMBLY
OFFSET 0.485MM HYBRID TYPE

NAME

SIZE

CAGE CODE

DRAWING NO

RESTRICTED TO

A3

SCALE -

SHEET

2 OF 4

REV B1

DIMENSIONS:

mm



TOLERANCES UNLESS OTHERWISE SPECIFIED:

0 PLC	± -
1 PLC	± 0.25
2 PLC	± 0.15
3 PLC	± 0.10
4 PLC	± -
ANGLES	± 3°

MATERIAL

SEE NOTE

FINISH

SEE NOTE

4

3

2

1

THIS DRAWING IS UNPUBLISHED.

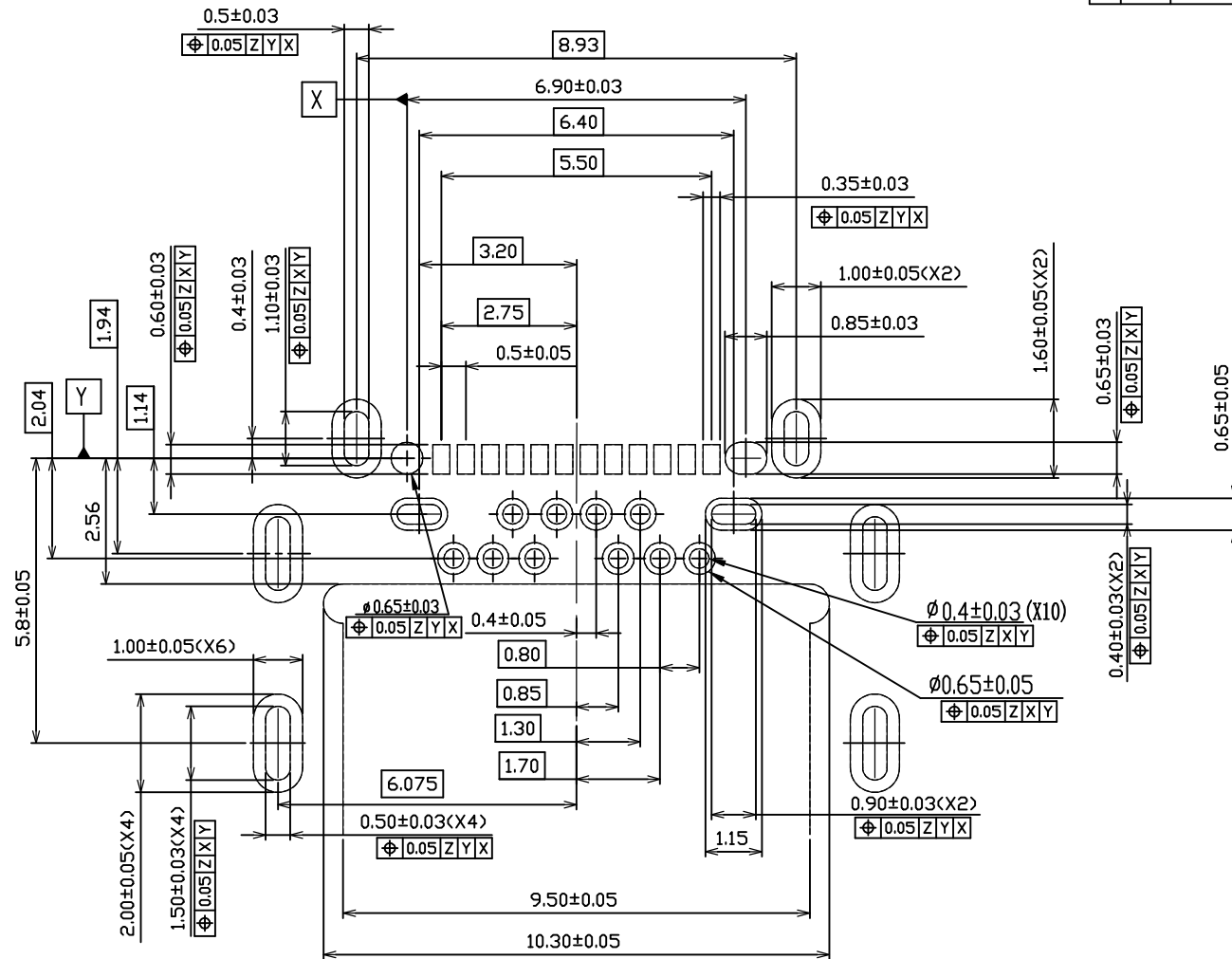
RELEASED FOR PUBLICATION

ALL RIGHTS RESERVED.

© COPYRIGHT - TE Connectivity Ltd.

REVISIONS

P	LTR	DESCRIPTION	DATE	DWN	APVD
-	-	SEE SHEET 1	-	-	-

PCB SURFACE $\square Z$

2129691-2

PART NUMBER

THIS DRAWING IS A CONTROLLED DOCUMENT.

DIMENSIONS:
mmMATERIAL
SEE NOTETOLERANCES UNLESS
OTHERWISE SPECIFIED:

0	PLC	± -
1	PLC	± 0.25
2	PLC	± 0.15
3	PLC	± 0.10
4	PLC	± -
ANGLES		± 3°

SEE NOTE

DWN	26APR2018
T. ZHU	
CHK	26APR2018
S. LI	
APVD	26APR2018
Roger	
PRODUCT SPEC	
108-99061	
APPLICATION SPEC	
WEIGHT	-

CUSTOMER DRAWING

TYPE-C RECTACLAE ASSEMBLY
OFFSET 0.485MM HYBRID TYPE

SIZE	CAGE CODE	DRAWING NO	RESTRICTED TO
A3		C=2129691	-

SCALE	SHEET	REV
-	3 OF 4	B1

THIS DRAWING IS UNPUBLISHED.

RELEASED FOR PUBLICATION

-. - .

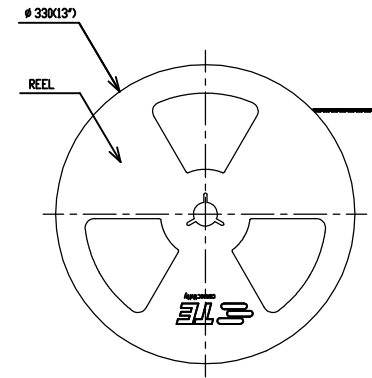
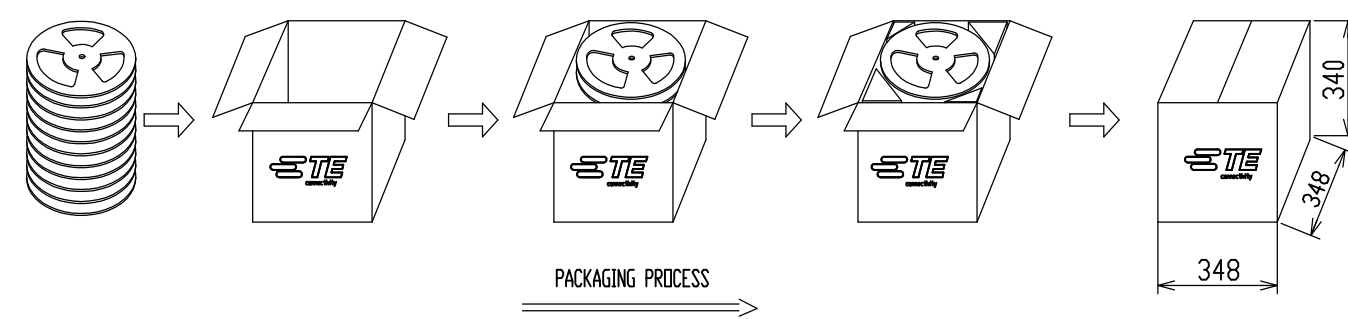
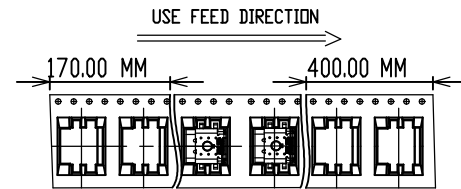
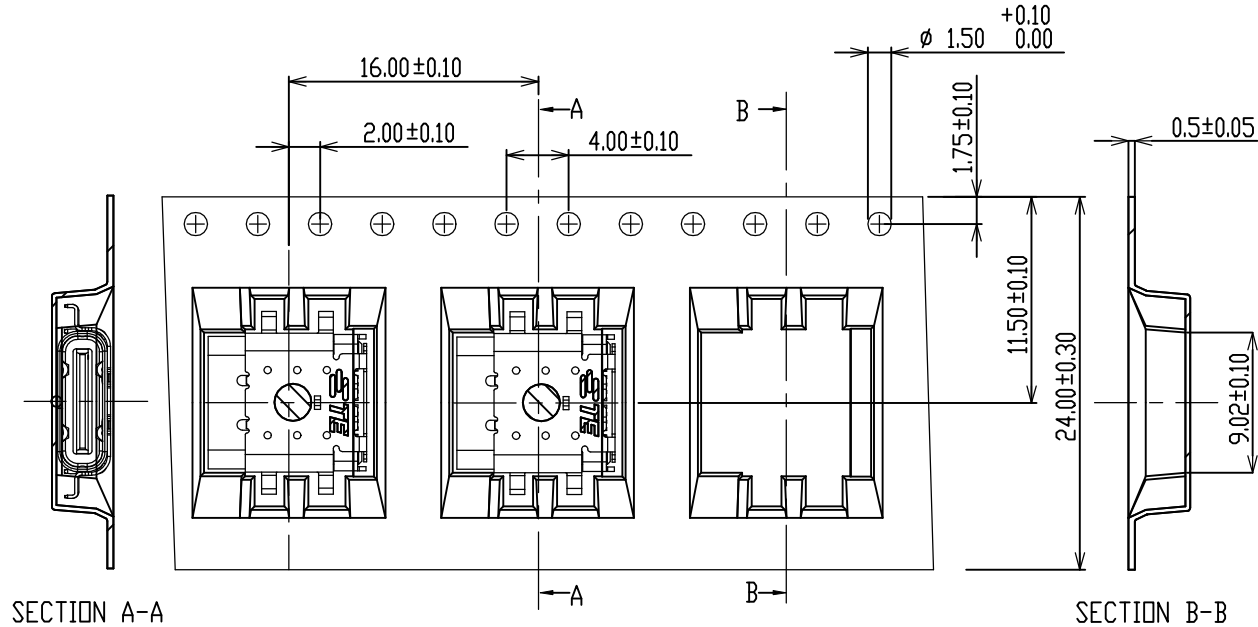
© COPYRIGHT - TE Connectivity Ltd.

ALL RIGHTS RESERVED.

REVISIONS

P	LTR	DESCRIPTION	DATE	DWN	APVD
-		SEE SHEET 1	-	-	-

- NOTES:
- 1.P/N:P-ZA-172309
 - 2.USED ON USB TYPE C RECEP.CONNECTOR PRODUCTS.
 - 3.PACKAGE:1000PCS/REEL,10REELS/BOX
 - 4.MATERIAL:TRANSPARENT CONDUCTIVE POLYSTYRENE ALLOY
 - 5.APPLICABLE DOCUMENTS:IEA-481-D
 - 6.AFTER UNREELING DIRECTION MUST HAVE 11PCS BLANK.(170mm Min)
 - 7.BEFORE UNREELING DIRECTION MUST HAVE 25PCS BLANK.(400mm Min)



2129691-2
PART NUMBER

THIS DRAWING IS A CONTROLLED DOCUMENT.		DWN T.ZHU 26APR2018	TE Connectivity TYPE-C RECPTACLAE ASSEMBLY OFFSET 0.485MM HYBRID TYPE												
DIMENSIONS: mm		CHK S.LI 26APR2018				NAME									
TOLERANCES UNLESS OTHERWISE SPECIFIED:		APVD S.LI 26APR2018	PRODUCT SPEC		RESTRICTED TO										
<table border="0"> <tr><td>0 PLC</td><td>± -</td></tr> <tr><td>1 PLC</td><td>± 0.3</td></tr> <tr><td>2 PLC</td><td>± 0.2</td></tr> <tr><td>3 PLC</td><td>± 0.15</td></tr> <tr><td>4 PLC</td><td>± -</td></tr> <tr><td>ANGLES</td><td>± 3'</td></tr> </table>		0 PLC	± -	1 PLC		± 0.3	2 PLC	± 0.2	3 PLC	± 0.15	4 PLC	± -	ANGLES	± 3'	APPLICATION SPEC
0 PLC	± -														
1 PLC	± 0.3														
2 PLC	± 0.2														
3 PLC	± 0.15														
4 PLC	± -														
ANGLES	± 3'														
MATERIAL SEE NOTE		FINISH SEE NOTE		108-99061	SIZE A3										
		WEIGHT -		CAGE CODE C=2129691	DRAWING NO C=2129691										
		CUSTOMER DRAWING		SCALE -	SHEET 4 OF 4										
				REV B1											

X-ON Electronics

Largest Supplier of Electrical and Electronic Components

Click to view similar products for [USB Connectors](#) category:

Click to view products by [TE Connectivity](#) manufacturer:

Other Similar products are found below :

[950](#) [A-USB A-LP-SMT-C](#) [A-USB B-TOP-C](#) [MUSBD11135](#) [17-200721](#) [217450-1](#) [KMBVX-TH-5S-B30](#) [KUSBX-AS2N-W](#) [KUSBX-SMT2AP1S-W30](#) [935](#) [957](#) [30-498-6](#) [SK-60A-2](#) [1734082-1](#) [30-470](#) [30-489](#) [30-541](#) [MIKROE-1451](#) [USBFTVSCCG](#) [1-1734084-2](#) [10135326-001LF](#) [USB3FTV7APEG](#) [4198](#) [1310-1023-02](#) [690-024-633-031](#) [UB-20PMFP-LC7001](#) [17-200011](#) [UB-20AFMM-LL7A01](#) [1040870124](#) [CAP-WCCMLPB1](#) [2274475-3](#) [UB-20BMFA-SL8001](#) [UB-20BFM-SA7A02](#) [UB-20BFM-SA7A05](#) [914-614A2025S10200](#) [MUSBR-AHD2-M41-SK](#) [ZX40-B-5S-1500-STDA\(30\)](#) [GSB3116344HR](#) [USB3FTV2SAZNF459](#) [USBF21GSCC](#) [U221-041N-1WVS62-F5D](#) [HYCW153-USBD05-500B](#) [HYCW219-USBD05-075B](#) [HYCW148-USBD05-117B](#) [HYCW149-USBD05-740B](#) [HYCW204-USBD05-108B](#) [HYCW214-USBA04-113B](#) [HYCW213-USBA04-113B](#) [UB-20AMFM-SL7A01](#) [KMMX-BSMT35S-1-B30TR](#)